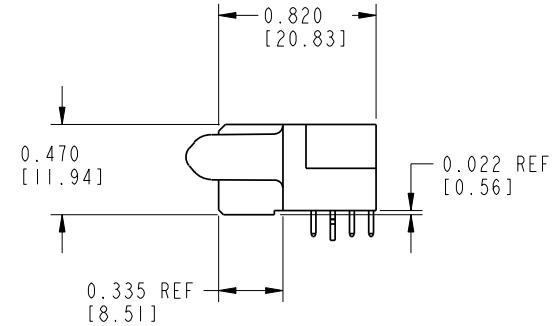
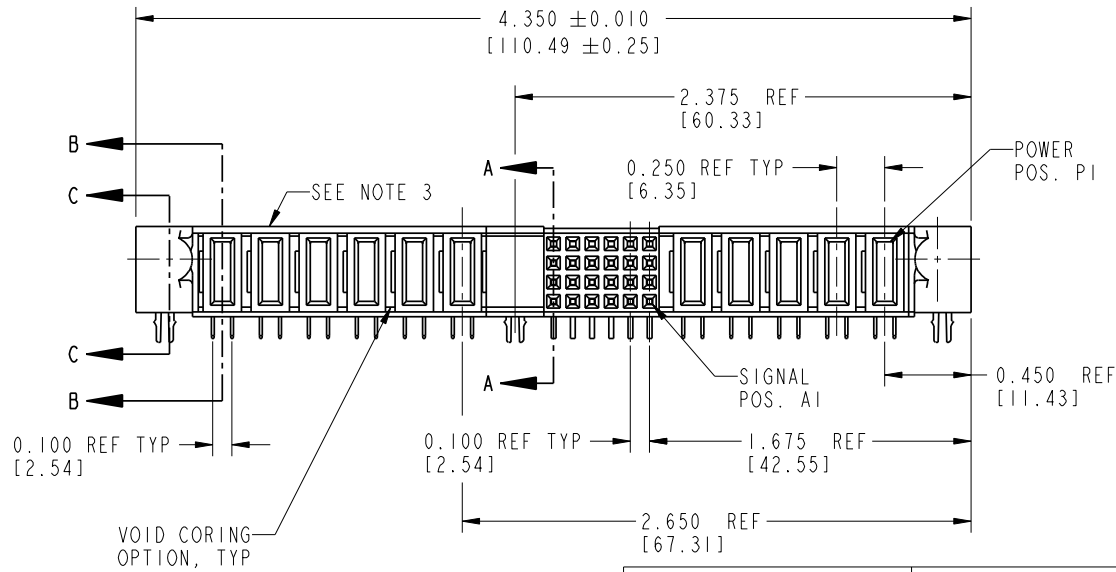
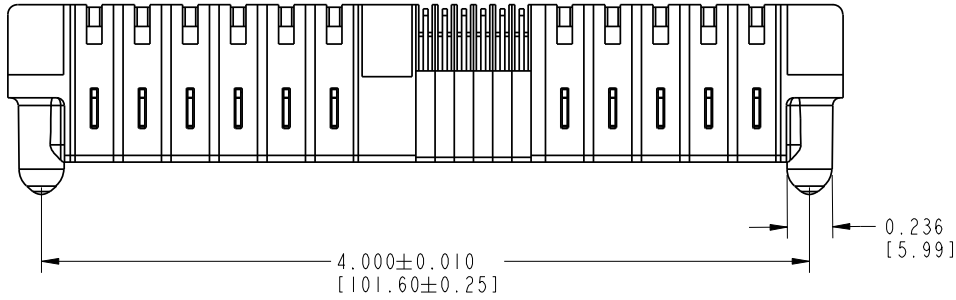


Tous droits strictement réservés. Reproduction ou communication o des liers interdite sous quelque forme que ce soit sans autorisation écrite du propriétaire. Propriete de c FCI. Droits de reproduction FCI.

All rights strictly reserved. Reproduction or issue to third parties in any form whatever is not permitted without written authority from the proprietor. Property of FCI. Copyright FCI.

**FCI**

PRODUCT NUMBER  
SEE SHEET 3



mat'l code				NOTE 1		tolerances unless otherwise specified		CUSTOMER		FCI	
lir	ecn no.	dr	date	linear	.XX±.01/.X±.3	COPY		projection		title	
N	DG05-0242	SJ	07/25/05		.XXX±.005/.XX±.13	projection				5P + 24S + 1M + 6P R/A SOLDER RECEPT.	
P	DG05-0313	SJ	09/05/05	angles	.XXX±.0020/.XXX±.051					product family PwrBlade code 213	
R	DG05-0338	SW	09/19/05		0° ± 2°					size 51625 sheet 1 of 4	
S	DG05-0550	GuoJM	12/16/05	dr	D. WOLFORD 01/21/99					scale A	
				enrg	J. BROWN 01/21/99					code 213	
				chr	J. BROWN 01/21/99					sheet 1 of 4	
				appd	J. BROWN 01/21/99					scale 1:1	
sheet index	revision sheet	S	S	S							
		1	2	3							

Pro/E

**PDM: Rev: S**

STAT: **Released**

Printed: Feb 06, 2008

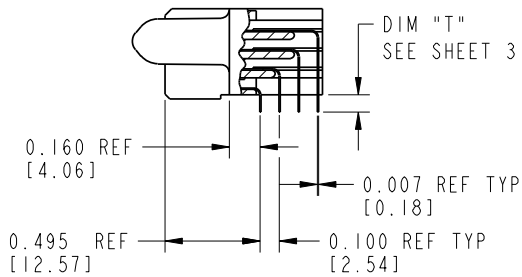
code code 22506

Tous droits strictement réservés. Reproduction ou communication o des liers interdite sous quelque forme que ce soit sans autorisation écrite du propriétaire. Propriete de c FCI. Droits de reproduction FCI.

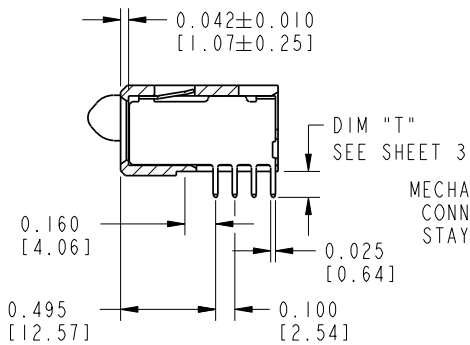
All rights strictly reserved. Reproduction or issue to third parties in any form whatever is not permitted without written authority from the proprietor. Property of FCI. Copyright FCI.

**FCI**

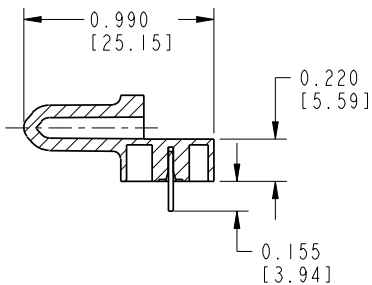
PRODUCT NUMBER  
SEE SHEET 3



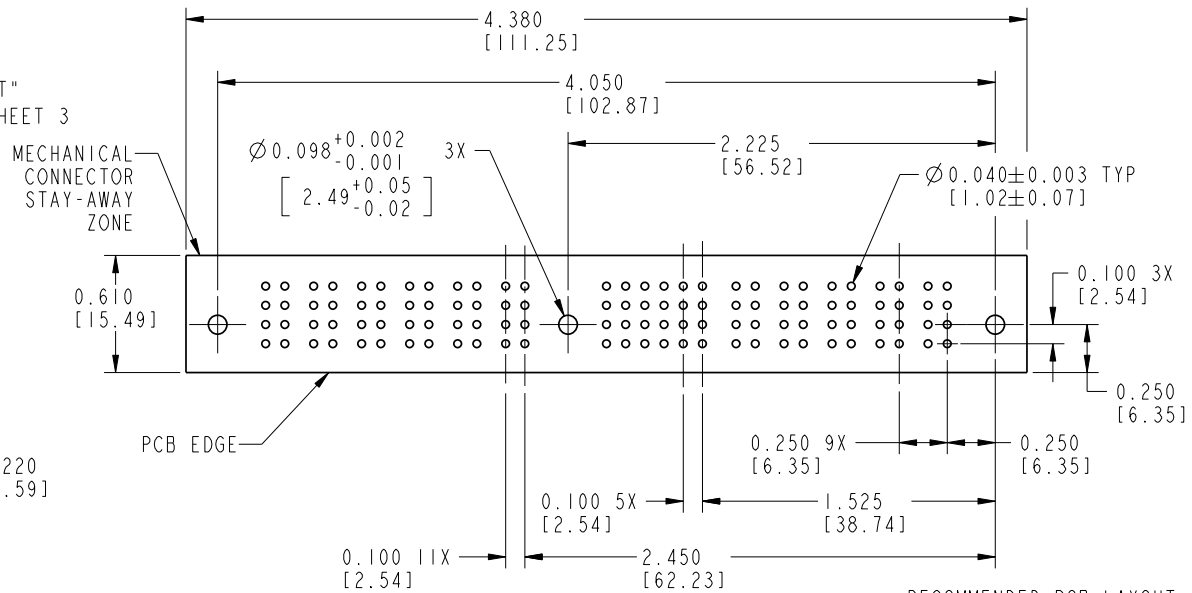
SECTION A-A



SECTION B-B



SECTION C-C



RECOMMENDED PCB LAYOUT

mat'l code		NOTE 1		tolerances unless otherwise specified		CUSTOMER		FCI	
lir	ecn no.	dr	date	linear	.XX±.01/.X±.3	COPY		www.fciconnect.com	
S				angles	.XXX±.005/.XX±.13	projection		title	
				dr	.XXX±.0020/.XXX±.051	INCH/MM		5P + 24S + 1M + 6P	
				enr	0° ± 2°	scale		R/A SOLDER RECEPT.	
				chr	D. WOLFORD 01/21/99	1:1		product family	
				appd	J. BROWN 01/21/99	A		PwrBlade	
					J. BROWN 01/21/99	size		code	
sheet index	revision sheet					A		213	
						51625		sheet	
								2	

Pro/E

**PDM: Rev: S**

STATUS: **Released**

Printed: Feb 06, 2008

Tous droits strictement réservés. Reproduction ou communication o des liers interdite sous quelque forme que ce soit sans autorisation écrite du propriétaire. Propriete de c FCI. Drois de reproduction FCI.

**A** FCI

All rights strictly reserved. Reproduction or issue to third parties in any form whatever is not permitted without written authority from the proprietor. Property of FCI. Copyright FCI.

**B**

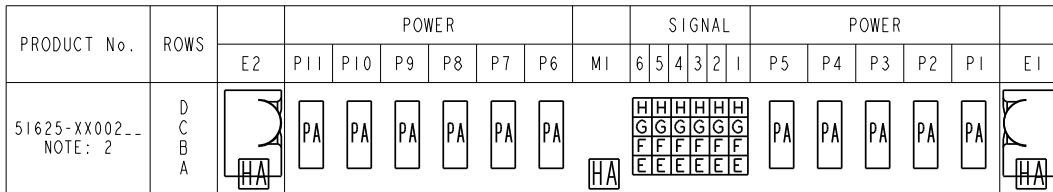
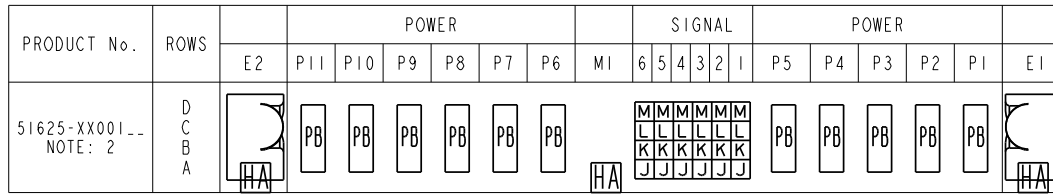
1 | 2

3

4

PRODUCT NUMBER  
SEE TABLE

CODE	DIM "T" +0.005 [0.12] -0.010 [0.25]		DIM "T" ±0.010 [0.25]		CONTACT TYPE
E	-	-	0.135	[3.43]	SIGNAL
F	-	-	0.135	[3.43]	SIGNAL
G	-	-	0.135	[3.43]	SIGNAL
H	-	-	0.135	[3.43]	SIGNAL
J	0.090	[2.29]	-	-	SIGNAL
K	0.090	[2.29]	-	-	SIGNAL
L	0.090	[2.29]	-	-	SIGNAL
M	0.090	[2.29]	-	-	SIGNAL
PA	-	-	0.135	[3.43]	POWER
PB	0.090	[2.29]	-	-	POWER
HA	N/A	[N/A]	-	-	HOLD-DOWN



**A**

mat'l code				NOTE 1				tolerances unless otherwise specified				CUSTOMER				<b>A</b> FCI www.fciconnect.com			
lir	ecn no.	dr	date	.XX±.01/.X±.3				COPY				title				5P + 24S + 1M + 6P R/A SOLDER RECEPT.			
S				linear				projection				product family				PwrBlade			
				.XXX±.005/.XX±.13								size				213			
				.XXX±.0020/.XXX±.051				INCH/MM				dwg no				3			
				angles				scale				A				51625			
				0° ± 2°				1:1											
				dr															
				D. WOLFORD															
				01/21/99															
				enrg															
				J. BROWN															
				01/21/99															
				chr															
				J. BROWN															
				01/21/99															
				appd															
				J. BROWN															
				01/21/99															
sheet index	revision sheet																		

**B**

1 | 2

Pro/E

**PDM: Rev: 5**

STATUS: **Released**

Printed: Feb 06, 2008

PRODUCT NUMBER  
SEE SHEET 3

CONNECTOR NOTES:

- HOUSING MATERIAL: UL 94 V-0 GLASS FILLED HIGH TEMP THERMOPLASTIC  
POWER CONTACT MATERIAL: COPPER ALLOY  
SIGNAL CONTACT MATERIAL: COPPER ALLOY

- PLATING: (51625-XXXXX STAND OFF 51625-XX001 AND 51625-XX002)  
51625-XXXXX Signal Pin: 30u"/0.76um Au OVER 50u"/1.27um Ni ON THE CONTACT AREA,  
AND 100u"/2.54um SnPb PLATING OVER 50u"/1.27um Ni ON THE TERMINATION SECTION.  
Power Pin: 30u"/0.76um Au OVER 50u"/1.27um Ni ON THE CONTACT AREA,  
AND 100u"/2.54um SnPb PLATING OVER 50u"/1.27um Ni ON THE TERMINATION SECTION.

51625-XXXXXLF Signal Pin: 30u"/0.76um Au OVER 50u"/1.27um Ni ON THE CONTACT AREA,  
AND 78u"/2.00um Sn PLATING OVER 50u"/1.27um Ni ON THE TERMINATION SECTION.  
Power Pin: 30u"/0.76um Au OVER 50u"/1.27um Ni ON THE CONTACT AREA,  
AND 78u"/2.00um Sn PLATING OVER 50u"/1.27um Ni ON THE TERMINATION SECTION.

PART NUMBER 51625-XXXXXLF MEETS EUROPEAN UNION DIRECTIVE AND OTHER COUNTRY REGULATIONS AS DESCRIBED IN GS-22-008.

THE HOUSING WILL WITHSTAND EXPOSURE TO 260° PEAK TEMPERATURE FOR 10 SECONDS IN A WAVE SOLDER APPLICATION WITH A CIRCUIT BOARD.

- MANUFACTURER'S NAME, P/N, AND DATE CODE TO APPEAR ON THIS SURFACE
- PRODUCT SPECIFICATION GS-12-149

PCB NOTES:

- ALL DIMENSIONS ARE BASIC UNLESS OTHERWISE SPECIFIED.
- ALL THROUGH HOLES ARE LOCATED WITH A TRUE POSITION OF 0.004 [0.10]
- ALL HOLE DIAMETERS ARE FINISHED HOLE SIZE
- Ø0.098[2.49] THROUGH HOLES ARE UNPLATED.
- Ø0.0453±0.0010 [1.151±0.025] DRILLED HOLES PLATED WITH 0.0003 [0.008] MIN SnPb OVER 0.001 [0.03] TO 0.003 [0.08] Cu PLATING TO ACHIEVE A Ø0.040±0.003 [1.02±0.07] HOLE.

Tous droits strictement réservés. Reproduction ou communication o des liers interdite sous quelque forme que ce soit sans autorisation écrite du propriétaire. Propriété de c FCI. Droits de reproduction FCI.

All rights strictly reserved. Reproduction or issue to third parties in any form whatever is not permitted without written authority from the proprietor. Property of FCI. Copyright FCI.



**CONFIDENTIAL**

mat'l code		NOTE 1		tolerances unless otherwise specified		CUSTOMER		 www.fciconnect.com			
lir	ecn no.	dr	date	linear	.XX±.01/.X±.3	projection		title			
S					.XXX±.005/.XX±.13			5P + 24S + 1M + 6P		R/A SOLDER RECEPT.	
					.XXX±.0020/.XXX±.051			product family		PRODUCT_FAMILY: 3	
				angles	0° ± 2°	INCH/MM		size	code		
				dr	D. WOLFORD 01/21/99			A	51625	213	
				enrg	J. BROWN 01/21/99			sheet		4	
				chr	J. BROWN 01/21/99			sheet		4	
				appd	J. BROWN 01/21/99	scale		1:1			
sheet index	revision sheet										