



PART NO.

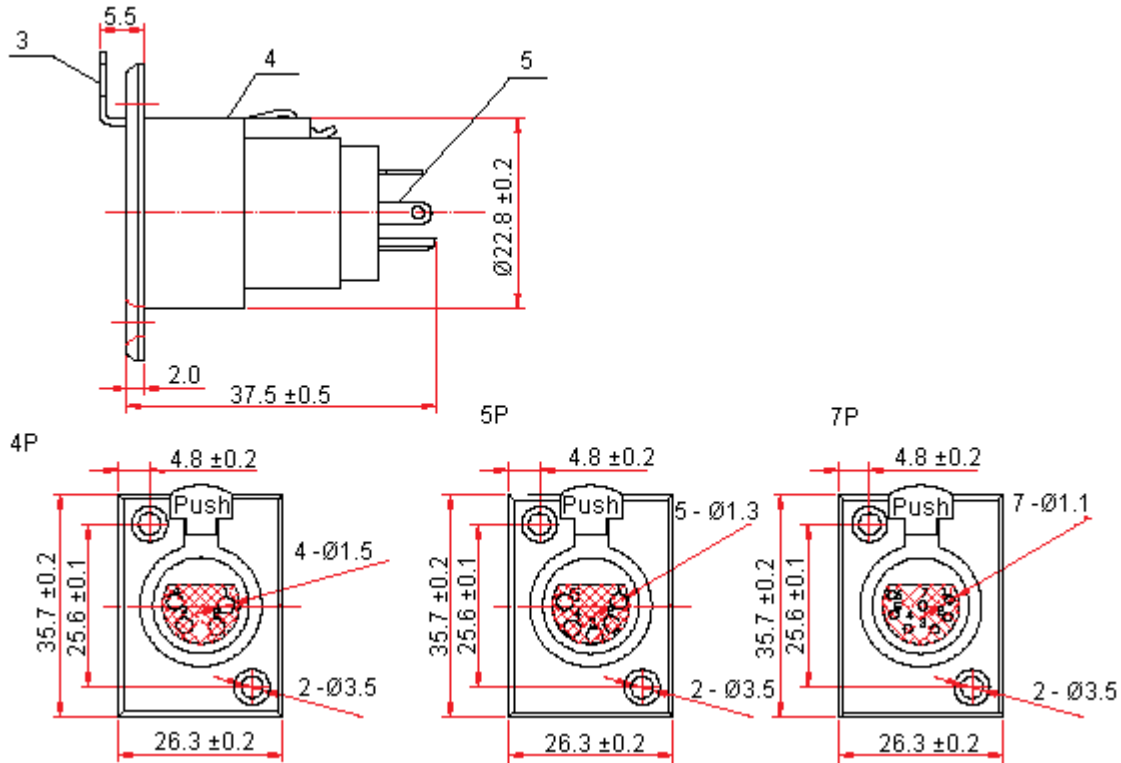
PSG0158 - Series

REVISIONS

ECN #	REV	DESCRIPTION	DRAWN	DATE	CHECKD	DATE	APPRVD	DATE
-	A	RELEASED	Jagan	17/11/09	Ramya	17/11/09	Farnell	01/12/09

Specifications

Description	Materials
Pin	Cu
Dielectric	ABS
Shrapnel	Fe
Shell	Zn



Dimensions : Millimetres

Part Number Table

Description	Part Number
Socket, XLR, Chassis, 4Pole	PSG01584
Socket, XLR, Chassis, 5Pole	PSG01585
Socket, XLR, Chassis, 7Pole	PSG01586

This data sheet and its contents (the "Information") belong to the Premier Farnell Group (the "Group") or are licensed to it. No licence is granted for the use of it other than for information purposes in connection with the products to which it relates. No licence of any intellectual property rights is granted. The Information is subject to change without notice and replaces all data sheets previously supplied. The Information supplied is believed to be accurate but the Group assumes no responsibility for its accuracy or completeness, any error in or omission from it or for any use made of it. Users of this data sheet should check for themselves the Information and the suitability of the products for their purpose and not make any assumptions based on information included or omitted. Liability for loss or damage resulting from any reliance on the Information or use of it (including liability resulting from negligence or where the Group was aware of the possibility of such loss or damage arising) is excluded. This will not operate to limit or restrict the Group's liability for death or personal injury resulting from its negligence. SPC MULTICOMP is the registered trademark of the Group. © Premier Farnell plc 2009.

TOLERANCES:

UNLESS OTHERWISE SPECIFIED, DIMENSIONS ARE FOR REFERENCE PURPOSES ONLY.

DRAWN BY:	DATE:
Jagan	17/11/09
CHECKED BY:	DATE:
Ramya	17/11/09
APPROVED BY:	DATE:
Farnell	01/12/09

DRAWING TITLE:

XLR Socket

SIZE A	DWG NO. M10002411	ELECTRONIC FILE 1280710-TDS	REV A
SCALE: NTS	U.O.M.: mm	SHEET: 1 OF 1	