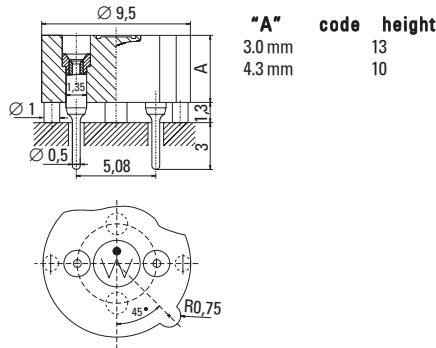
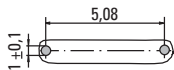


Holder / No. 560

PC Mount, for TR5®/TE5® Fuses



Holes in PCB



Specifications

Packaging
1 bulk (1000 pcs.)
0 bulk (500 pcs.)

Order Number
Holder No. 560 0000 13 1
Holder No. 560 0000 10 0
Holder No. 560 0000 10 1

Mounting
PC Board, 5.08 mm pin spacing

Materials
Holder: Thermoplastic, UL 94 V-0
Polyester PCT
Metal parts: Copper alloy; solderable tinned

Electrical Data (23 °C)
Rated Voltage: 250 V
Max. Current/Power: 6.3 A/1.6 W

Solderability
max. 280 °C, 10 s (Wave)

Minimum Cross Section
Conducting path - 0.1 mm²

Unit Weight
0,4 g

WebLinks

Further info see:
www.wickmanngroup.com

Further application info see fuseology:
www.wickmanngroup.com/download/fuseology.pdf



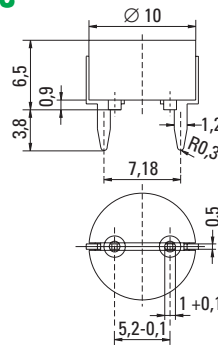
Order Information

Qty.	Order-Number	Series	code	height	Packaging
		560	0000		

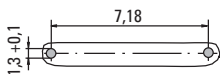
Specifications are subject to change without notice

Holder / No. 559

PC Mount, for TR5®/TE5® Fuses leadfree



Holes in PCB



Packaging
000 bulk (1000 pcs.)

Mounting
PC Board, 7.18 mm pin spacing

Materials
Holder: Black Thermoplastic, UL94 V-0
Polyamide PA 6.6
Metal parts: Copper alloy; solderable tinned

Electrical Data (23 °C)
Rated Voltage: 250 V
Max. Current/Power: 6.3 A/1.6 W

Solderability
max. 260 °C, 10 s (Wave)

Minimum Cross Section
Conducting path - 0.1 mm²

Unit Weight
0.63 g

WebLinks

Further infos see:
www.wickmanngroup.com

Further application infos see Fuseology:
www.wickmanngroup.com/download/fuseology.pdf



Order Information

Qty.	Order-Number	Series	Packaging
		559	0000

Specifications are subject to change without notice