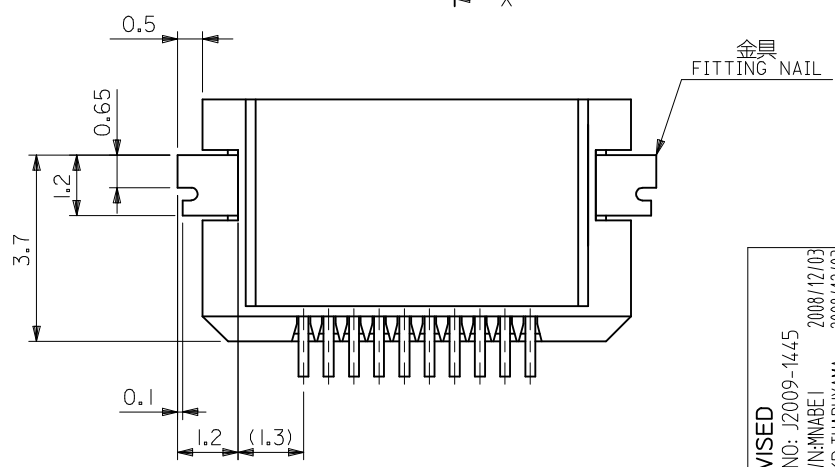
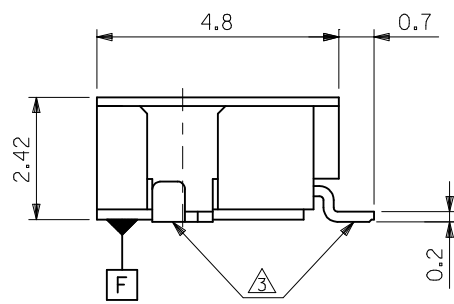
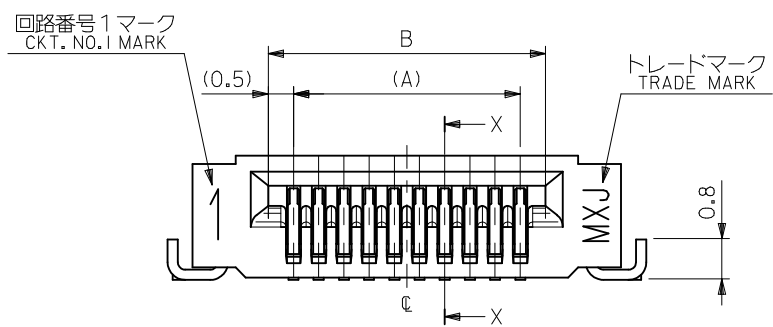


注記 NOTES

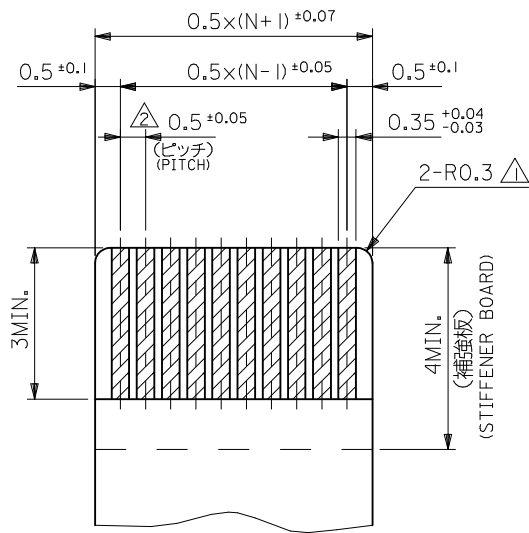
- 材質 MATERIAL
 ハウジング: PPS, UL94V-0
 HOUSING: PPS, UL94V-0
 ターミナル: リン青銅 (t=0.2)、ニッケル下地 錫ビスマスメッキ
 TERMINAL: PHOS-BRO.(t=0.2), TIN-BIMUSTH OVER NICKEL PLATING
 金具: リン青銅 (t=0.2)、ニッケル下地 錫メッキ
 FITTING NAIL: PHOS-BRO.(t=0.2), TIN OVER NICKEL PLATING
 HARF BRIGHT PLATING
 △ 偶数極に適用。
 APPLY FOR EVEN CIRCUIT.
 △ ソルダータール半田付け面及び金具半田付け面のズレ量は、基準面 F に対し、上方向 0.1 MAX. 下方向 0.15 MAX. とする。
 MISALIGNMENT OF SOLDER TAILS AND FITTING NAILS FROM F : UPPER DIRECTION 0.1 MAX. : LOWER DIRECTION 0.15 MAX.
- 本製品は 52976-**-40 の鉛フリー品である。
 THIS PRODUCT IS LEAD FREE OF 52976-**-40



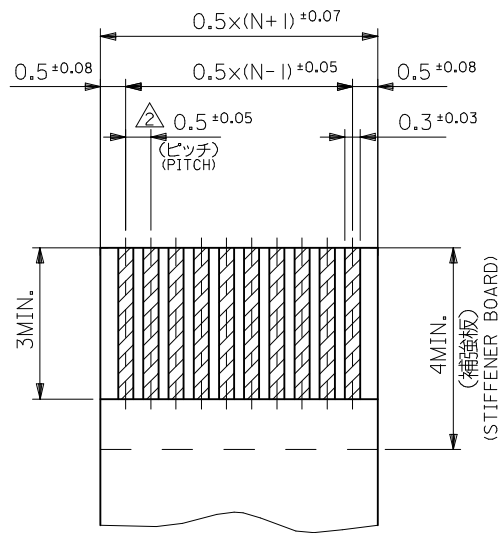
18.5	15.5	14.5	52976-3072	52976-3049	30
15.5	12.5	11.5	-2472	-2449	24
14.0	11.0	10.0	-2172	-2149	21
13.0	10.0	9.0	-1972	-1949	19
12.5	9.5	8.5	-1872	-1849	18
12.0	9.0	8.0	-1772	-1749	17
11.5	8.5	7.5	-1672	-1649	16
11.0	8.0	7.0	-1572	-1549	15
10.5	7.5	6.5	-1472	-1449	14
9.5	6.5	5.5	-1272	-1249	12
8.5	5.5	4.5	-1072	-1049	10
8.0	5.0	4.0	-0972	-0949	9
7.5	4.5	3.5	-0872	-0849	8
6.5	3.5	2.5	52976-0672	52976-0649	6

52976-**-49 MODEL NO.

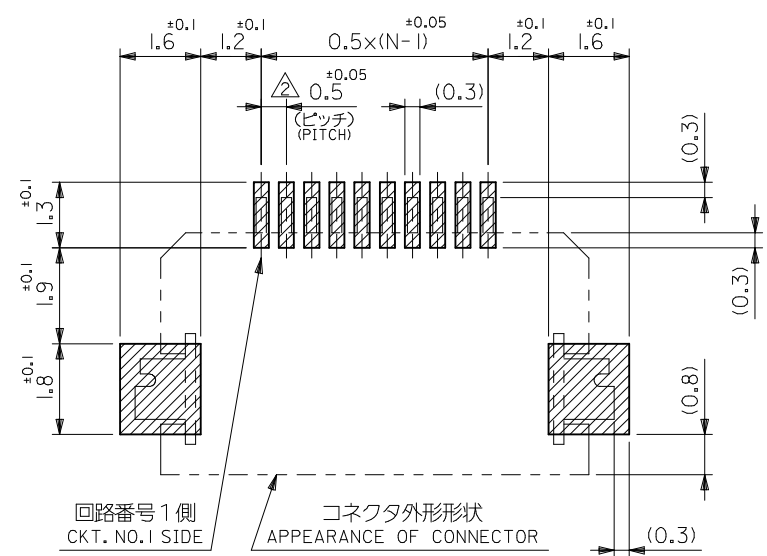
REVISED EC NO: J2009-1445 DRWN:MMABEI 2008/12/03 CHKD:THARUYAMA 2008/12/03 APPR:NIKI ITA 2008/12/03	GENERAL TOLERANCES (UNLESS SPECIFIED)		DIMENSION STYLE	SCALE	DESIGN UNITS	THIRD ANGLE PROJECTION
			MM ONLY	---	METRIC	
	10 UNDER	±0.2	DRAWN BY	DATE	TITLE	
	10 OVER 30 UNDER	±0.25	HS HIMABUKURO	'04/03/01	0.5 FFC/FPC CONN NON-ZIF HSG ASSY(BOTTOM CONTACT) -LEAD FREE-	
30 OVER	±0.3	CHECKED BY	DATE	APPROVED BY		DATE
		M. SASAO	'04/03/01	MATERIAL NO.		DOCUMENT NO.
ANGULAR ±3 °		SEE TABLE		SD-52976-010		SHEET NO.
DRAFT WHERE APPLICABLE MUST REMAIN WITHIN DIMENSIONS		SIZE A3		THIS DRAWING CONTAINS INFORMATION THAT IS PROPRIETARY TO MOLEX INCORPORATED AND SHOULD NOT BE USED WITHOUT WRITTEN PERMISSION		1 OF 2



適合FPC推奨寸法
 APPLICABLE FPC
 RECOMMENDED DIMENSION
 (仕上がり厚さ: 0.3±0.03)
 (THICKNESS : 0.3±0.03)



適合FFC推奨寸法
 APPLICABLE FFC
 RECOMMENDED DIMENSION
 (仕上がり厚さ: 0.3±0.03)
 (THICKNESS : 0.3±0.03)



参考基板レイアウト
 REFERENCE P.C.BOARD
 PATTERN DIMENSION
 (マウント面)
 (MOUNTING SIDE)

注記 NOTES

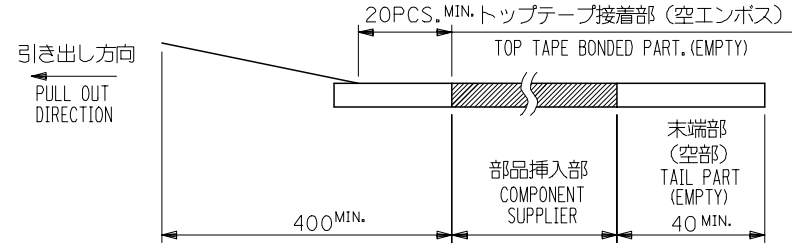
- △ R0.3 は、FPCの導体部にかからないこと。
 R0.3 MUST NOT BE OVERLAPPED TO PATTERN OF FPC.
 - △ 公差非累積のこと。
 NON-ACCUMULATIVE.
 - 3. FPCについて:
 打抜き方向は導体側から補強板を推奨致します。
 補強フィルム材質はポリイミドを推奨致します。
 接着剤は熱硬化接着剤を推奨致します。
- ABOUT FPC:
 RECOMMENDED PUNCHER DIRECTION : FROM CONDUCTOR SIDE TO STIFFENER BOARD SIDE.
 RECOMMENDED MATERIAL :
 STIFFENER FILM : POLYIMIDE
 BONDING AGENT : THERMOSETTING BONDING AGENT

52976-***49 MODEL NO.

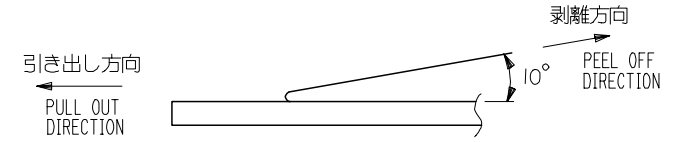
REVISED EC NO.: J2009-1445 DRWN:MMABEI 2008/12/03 CHKD:THARUYAMA 2008/12/03 APPR:NUKITA 2008/12/03	GENERAL TOLERANCES (UNLESS SPECIFIED)		DIMENSION STYLE MM ONLY	SCALE ---	DESIGN UNITS METRIC	THIRD ANGLE PROJECTION
	10 UNDER	±0.2	DRAWN BY HSHIMABUKURO	DATE '04/03/01	TITLE 0.5 FFC/FPC CONN NON-ZIF HSG ASSY(BOTTOM CONTACT) -LEAD FREE-	
	10 OVER 30 UNDER	±0.25	CHECKED BY K. TOJO	DATE '04/03/01	MOLEX INCORPORATED	
	30 OVER	±0.3	APPROVED BY M. SASAO	DATE '04/03/01	DOCUMENT NO. SD-52976-010	SHEET NO. 2 OF 2
REV	DESCRIPTION	ANGULAR ±3 °	MATERIAL NO. SEE SHEET 1	THIS DRAWING CONTAINS INFORMATION THAT IS PROPRIETARY TO MOLEX INCORPORATED AND SHOULD NOT BE USED WITHOUT WRITTEN PERMISSION		
DRAFT WHERE APPLICABLE MUST REMAIN WITHIN DIMENSIONS						

NOTES

1. 梱包数量：1000個/リール
NUMBER OF CONNECTORS : 1000PCS/REEL
2. リードテープ長さ LEAD TAPE LENGTH

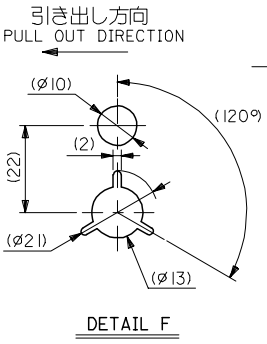
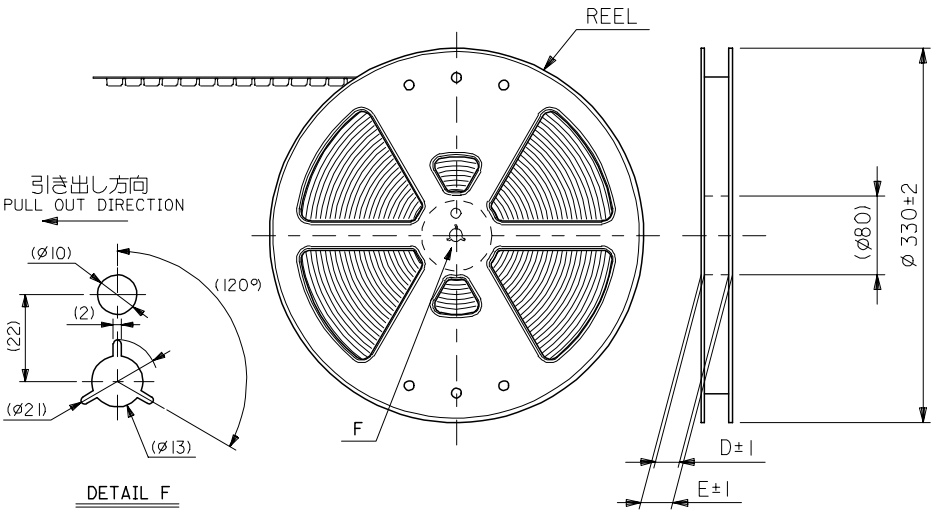


3. トップテープの剥離強度：0.1N ~ 1.3N(10gf ~ 130gf)
(剥離方向は下図参照)
尚、本規格値は出荷時に適用。(但し、輸送時に剥離が発生しないこと。)
PEELING OFF FORCE OF TOP TAPE : 0.1N ~ 1.3N(10gf ~ 130gf)
(PEELING DIRECTION AS SHOWN IN FOLLOWING FIG.)
THIS REQUIREMENT SHOULD BE APPLIED AT SHIPMENT.
PEEL OFF SHOULD NOT BE ALLOWED , DURING TRANSPORTATION.



4. 材料 キャリアテープ：ポリプロピレン (PP)
トップテープ：PET, PE, PEF
リール：ポリスチレン (PS) <リサイクル材を含む>
MATERIAL CARRIER TAPE:POLYPROPYLENE
TOP TAPE:PET,PE,PEF
REEL:POLYSTYREN(PS)
<RECYCLE MATERIAL CONTAINED>

5. 本製品は 52976-**-92 の鉛フリー品である。
THIS PRODUCT IS LEAD FREE OF 52976-**-92



52976-**-72 MODEL NO.

REVISED EC NO: J2008-1372 DRW:HYAJIMA 2007/10/23 CHKD:THARUYAMA 2007/10/23 APPR:NUKITA 2007/10/23	GENERAL TOLERANCES (UNLESS SPECIFIED)		DIMENSION STYLE MM ONLY		SCALE ---	DESIGN UNITS METRIC	THIRD ANGLE PROJECTION	
	10 UNDER	±0.2	DRAWN BY DATE H. SHIMABUKUR 2004/03/01		TITLE 0.5 FPC CONN NON ZIF HOUSING ASSY EMBSTP PKG -LEAD FREE-			
	10 OVER 30 UNDER	±0.25	CHECKED BY DATE K. TOJO 2004/03/01					
	30 OVER	±0.3	APPROVED BY DATE M. SASAO 2004/03/01		MOLEX MOLEX INCORPORATED			
	ANGULAR	±3 °	MATERIAL NO.		DOCUMENT NO.		SHEET NO.	
DRAFT WHERE APPLICABLE MUST REMAIN WITHIN DIMENSIONS		SEE SHEET 2		SD-52976-011		1 OF 2		

10 9 8 7 6 5 4 3 2 1

F

E

D

C

B

A

F

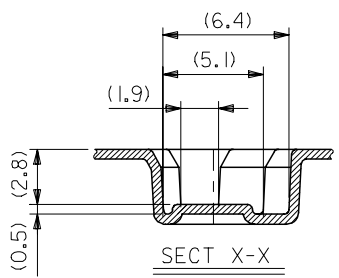
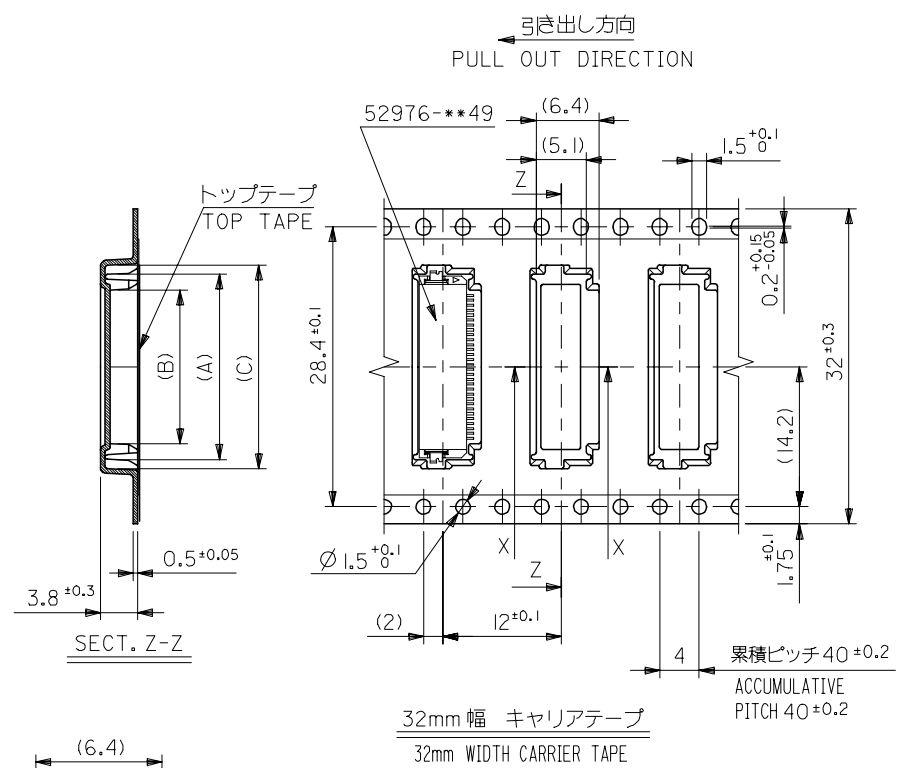
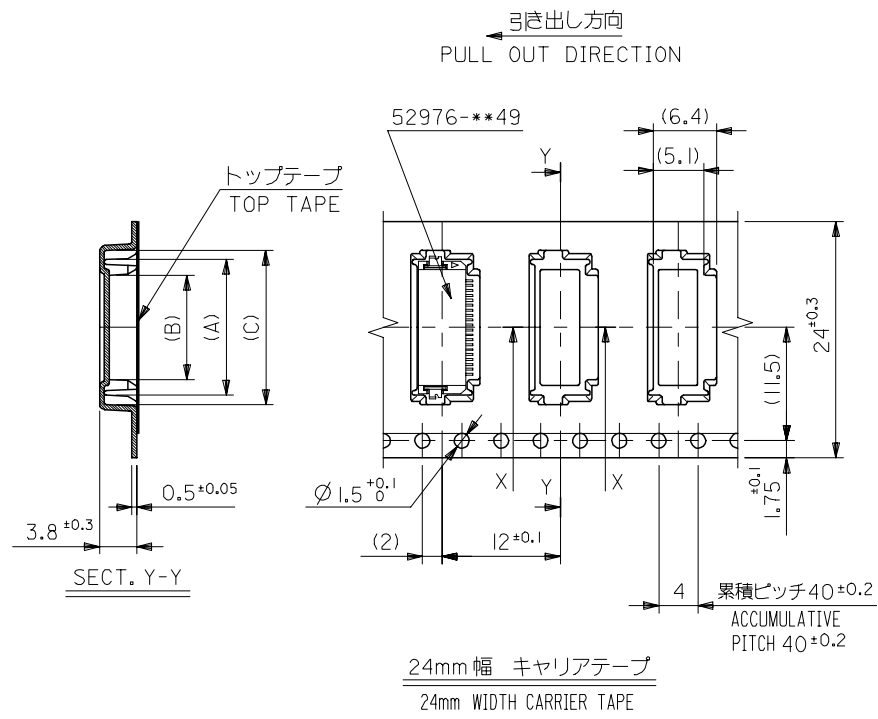
E

D

C

B

A



32	37.4	33.4	20.7	15.6	18.8	52976-3072	30
			17.7	12.6	15.8	52976-2472	24
24	29.4	25.4	16.2	11.1	14.3	52976-2172	21
			15.2	10.1	13.3	52976-1972	19
			14.7	9.6	12.8	52976-1872	18
			14.2	9.1	12.3	52976-1772	17
			13.7	8.6	11.8	52976-1672	16
			13.2	8.1	11.3	52976-1572	15
			12.7	7.6	10.8	52976-1472	14
			11.7	6.6	9.8	52976-1272	12
			10.7	5.6	8.8	52976-1072	10
			10.2	5.1	8.3	52976-0972	9
9.7	4.6	7.8	52976-0872	8			
8.7	3.6	6.8	52976-0672	6			
キャリアテープ幅 CARRIER TAPE WIDTH	E	D	(C)	(B)	(A)	MATERIAL NO.	極数 CKT.

REVISED EC NO: J2008-1372 DRW: HAJI MA 2007/10/23 CHKD: THARUYAMA 2007/10/23 APPR: NUKITA 2007/10/23	GENERAL TOLERANCES (UNLESS SPECIFIED)		DIMENSION STYLE MM ONLY	SCALE ---	DESIGN UNITS METRIC	THIRD ANGLE PROJECTION
	10 UNDER	±0.2	DRAWN BY H. SHIMABUKUR	DATE 2004/03/01	TITLE 0.5 FPC CONN NON ZIF HOUSING ASSY EMBSTP PKG -LEAD FREE-	
	10 OVER 30 UNDER	±0.25	CHECKED BY K. TOJO	DATE 2004/03/01	APPROVED BY M. SASAO	
	30 OVER	±0.3	APPROVED BY M. SASAO	DATE 2004/03/01	MATERIAL NO. SD-52976-011	
ANGULAR ±3 °		DRAFT WHERE APPLICABLE MUST REMAIN WITHIN DIMENSIONS		SEE TABLE		DOCUMENT NO. SD-52976-011
SIZE A3			THIS DRAWING CONTAINS INFORMATION THAT IS PROPRIETARY TO MOLEX INCORPORATED AND SHOULD NOT BE USED WITHOUT WRITTEN PERMISSION			SHEET NO. 2 OF 2