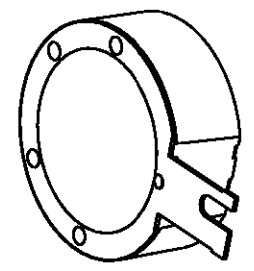
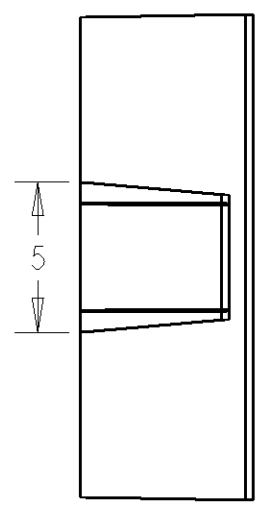
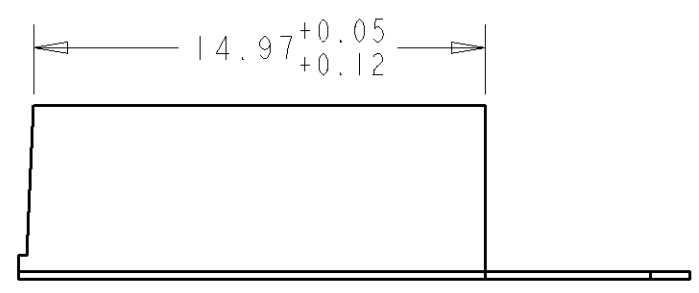


THIS DRAWING IS UNPUBLISHED. RELEASED FOR PUBLICATION 20
 © COPYRIGHT 20 BY TYCO ELECTRONICS CORPORATION. ALL RIGHTS RESERVED.

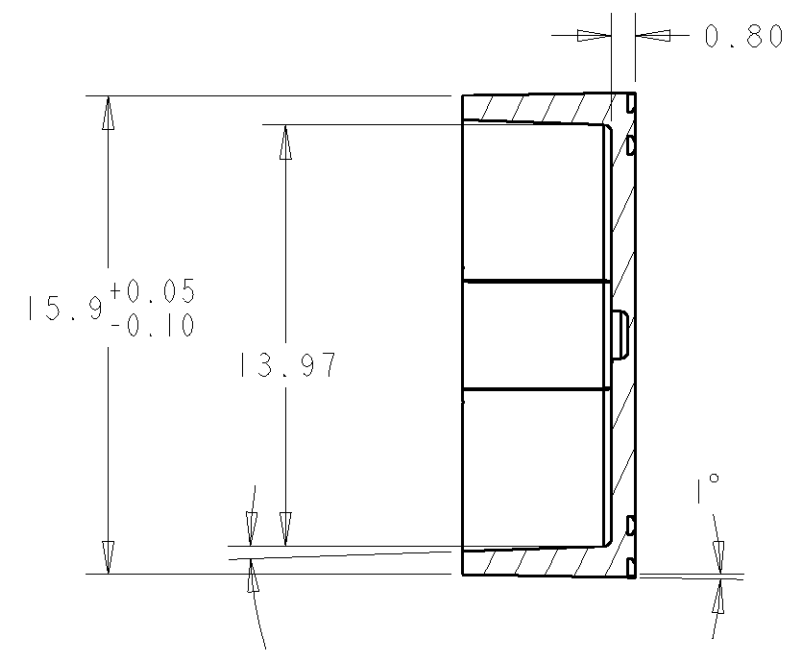
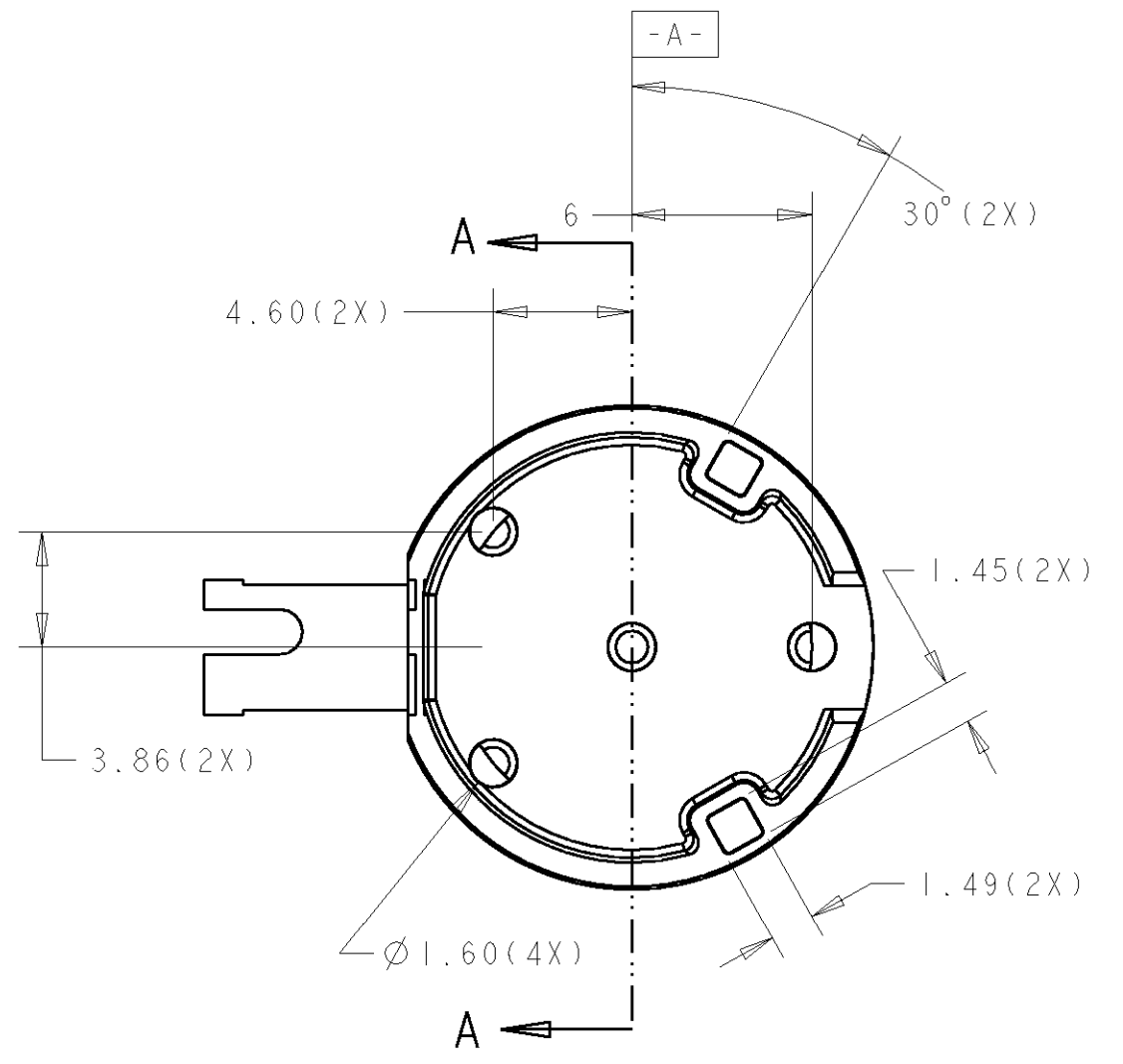
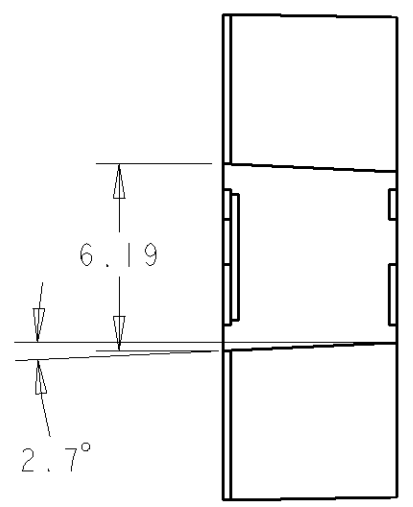
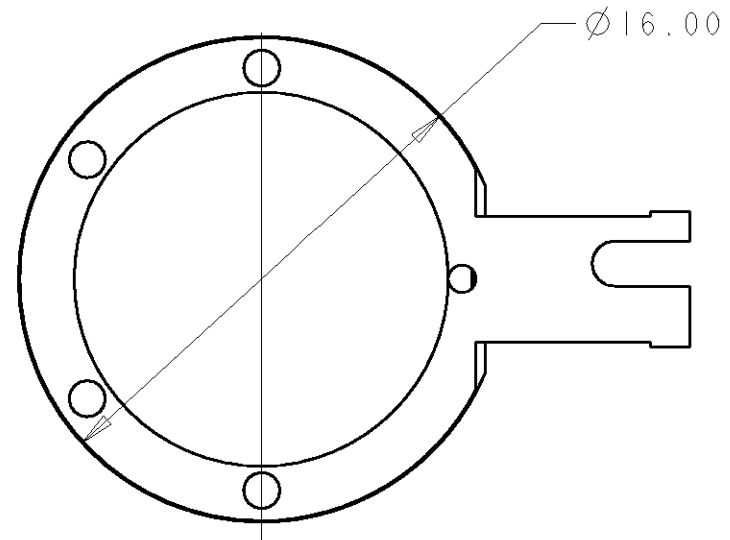
LOC	DIST	REVISIONS				
P	LTR	DESCRIPTION	DATE	DWN	APVD	
HQ	00	-	SEE SHEET 1	-	-	



1513151-2
SCALE 2:1



5.75 +0.10 / -0.05

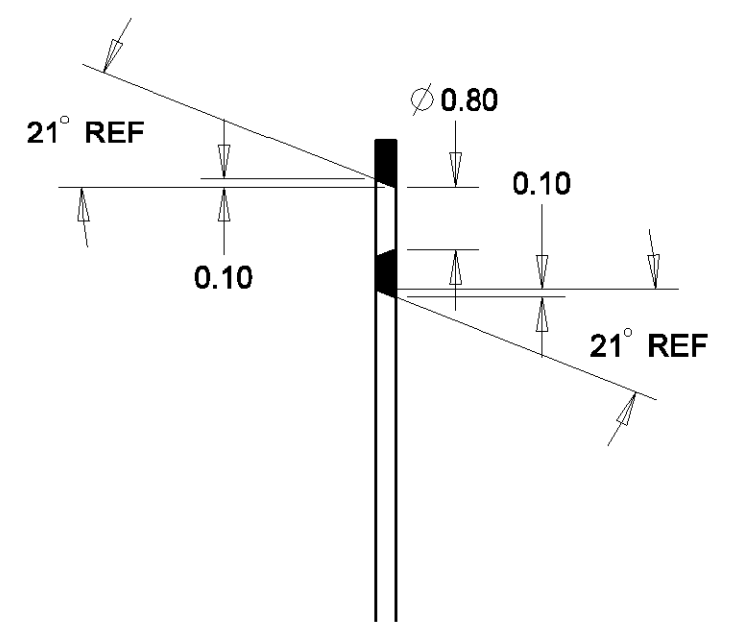


SECTION A-A

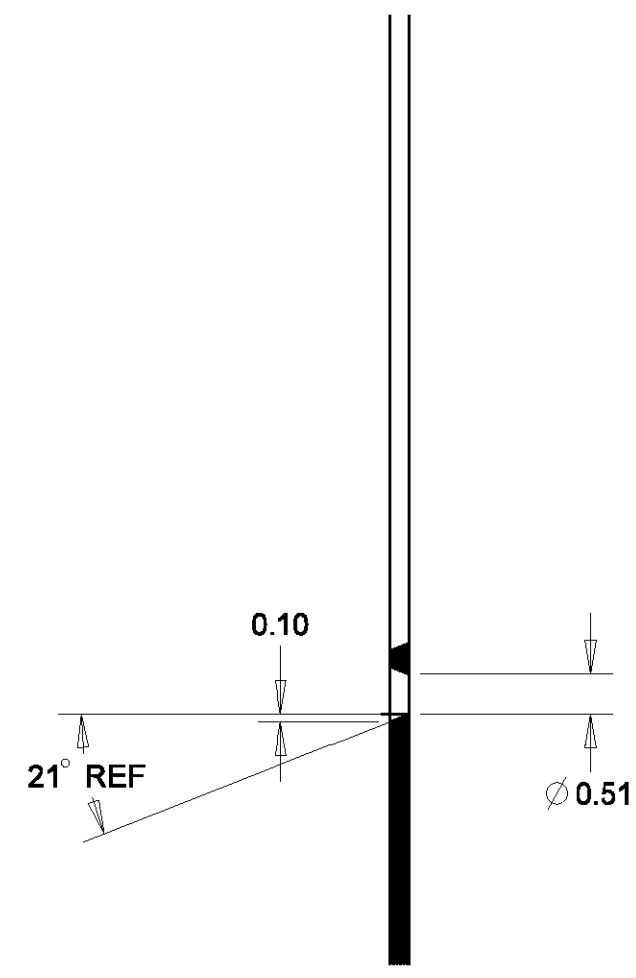
<small>THIS DRAWING IS A CONTROLLED DOCUMENT FOR TYCO ELECTRONICS CORPORATION IT IS SUBJECT TO CHANGE AND THE CONTROLLING ENGINEERING ORGANIZATION SHOULD BE CONTACTED FOR THE LATEST REVISION.</small>		DWN DJL	06OCT2003		Tyco Electronics Rochester, New York 14623
DIMENSIONS: mm		CHK -	APVD -		NAME Antenna Bluetooth/WLAN Overmolded Metal Ring 1513151-2
TOLERANCES UNLESS OTHERWISE SPECIFIED: 0 PLC ±0.10 1 PLC ±0.10 2 PLC ±0.05 3 PLC ±0.05 4 PLC ±0.01 ANGLES ±1°		PRODUCT SPEC -	APPLICATION SPEC -	SIZE A3	CAGE CODE 00779
MATERIAL -		FINISH -	WEIGHT -	DRAWING NO C-1513151	RESTRICTED TO -
CUSTOMER DRAWING				SCALE 4:1	SHEET 2 OF 4
				REV E	

THIS DRAWING IS UNPUBLISHED. RELEASED FOR PUBLICATION 20
 © COPYRIGHT 20 BY TYCO ELECTRONICS CORPORATION. ALL RIGHTS RESERVED.

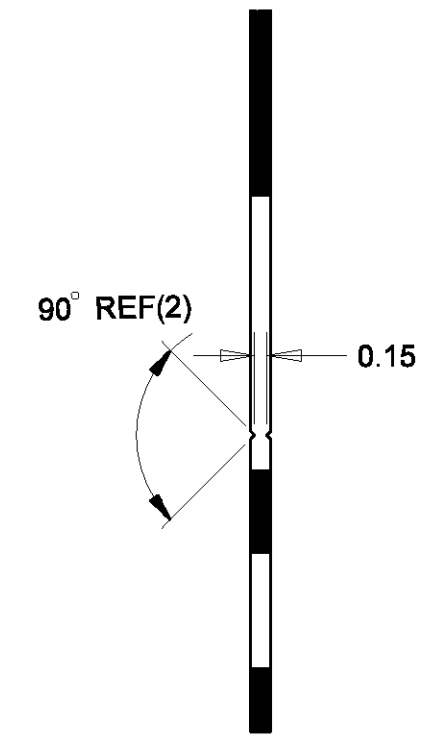
LOC	DIST	REVISIONS					
		P	LTR	DESCRIPTION	DATE	DWN	APVD
HQ	00	-	-	SEE SHEET 1	-	-	-



DETAIL B
SCALE 5:1



DETAIL C
SCALE 5:1



DETAIL D
SCALE 5:1

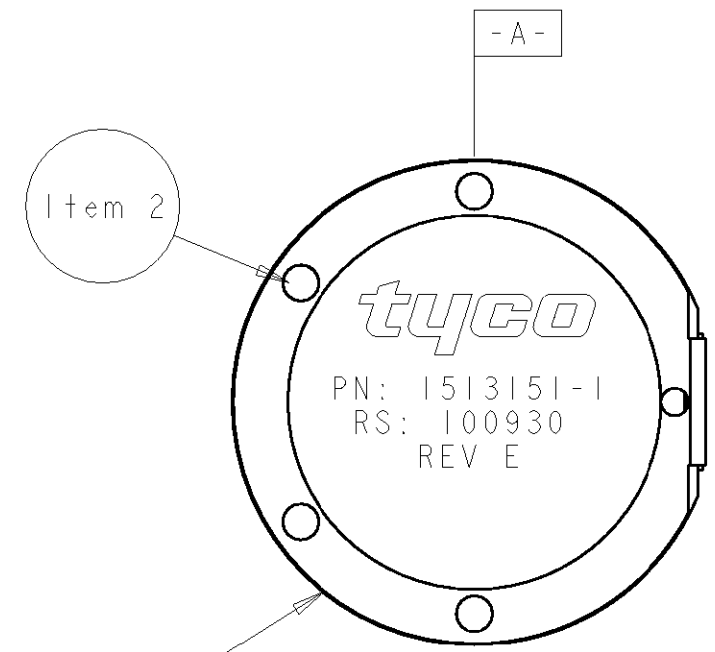
NOTES:

1. Material - Brass CA260, half hard or steel 1050, 0.254mm thick, 28mm width.
2. Unspecified radius is R0.01mm.

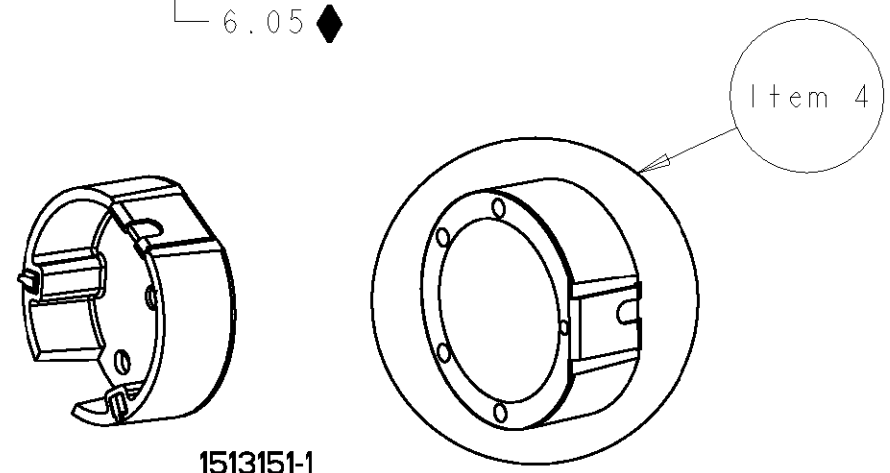
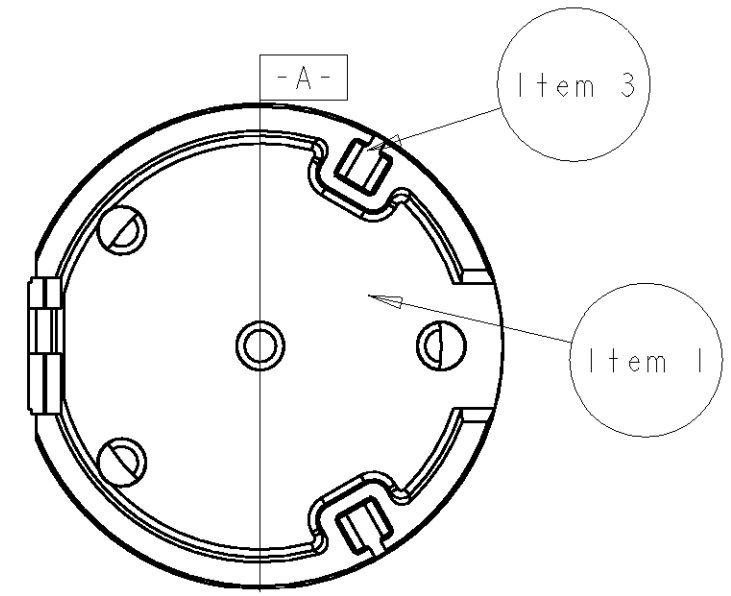
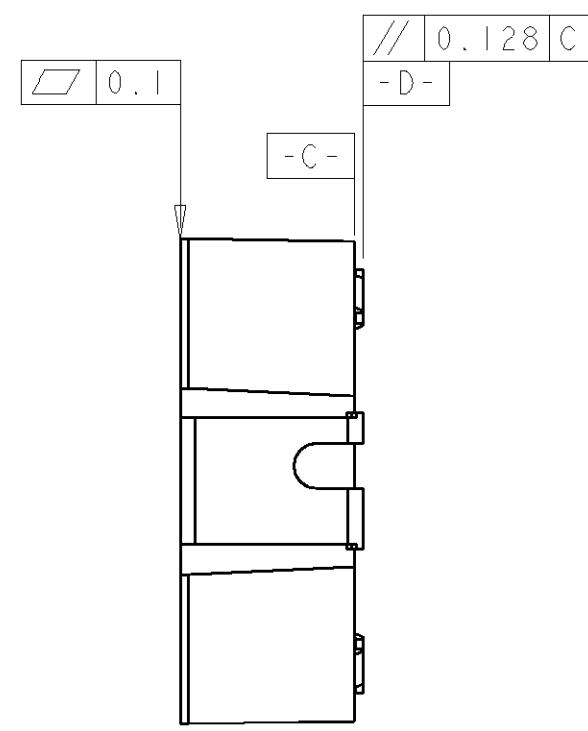
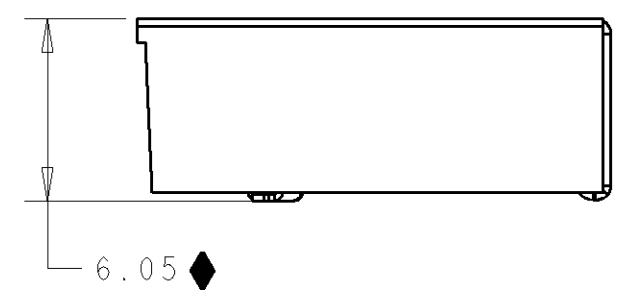
<small>THIS DRAWING IS A CONTROLLED DOCUMENT FOR TYCO ELECTRONICS CORPORATION IT IS SUBJECT TO CHANGE AND THE CONTROLLING ENGINEERING ORGANIZATION SHOULD BE CONTACTED FOR THE LATEST REVISION.</small>		DWN	DJL 06OCT2003		Tyco Electronics Rochester, New York 14623
DIMENSIONS: mm		CHK	--		
		APVD	-		NAME Antenna Bluetooth/WLAN Metal Ring 1513151-3
TOLERANCES UNLESS OTHERWISE SPECIFIED: 0 PLC ±0.5 1 PLC ±0.1 2 PLC ±0.05 3 PLC ±0.02 4 PLC ±0.01 ANGLES ±1°		PRODUCT SPEC	-		
MATERIAL -		APPLICATION SPEC	-		SIZE A3 CAGE CODE 00779 DRAWING NO C-1513151
FINISH -		WEIGHT	-		RESTRICTED TO -
CUSTOMER DRAWING			SCALE	4:1	SHEET 4 OF 4 REV E

THIS DRAWING IS UNPUBLISHED. RELEASED FOR PUBLICATION 20
 © COPYRIGHT 20 BY TYCO ELECTRONICS CORPORATION. ALL RIGHTS RESERVED.

LOC	DIST	REVISIONS			
P	LTR	DESCRIPTION	DATE	DWN	APVD
HQ	00				
	C	Page 3 and 5 added	17NOV2004	DJL	KPG
	D	"Formed Metal Ring" page eliminated	09DEC2004	VG	KPG
	E	Tol. added to 5.75, 15.9, 14.97	10JAN2005	VG	KPG



◆ Ø 16.00



1513151-1
SCALE 2:1

NOTES:

1. Material - Dow Questra WA550, 30% glass filled, natural color.
2. Item 2 insert molded into Item 1. Flat side wall of Item 2 to be flush with flat side wall in Item 1.
3. Item 3 press fit into Item 4.
4. No air gaps between components
5. General tolerance block applies unless otherwise specified.

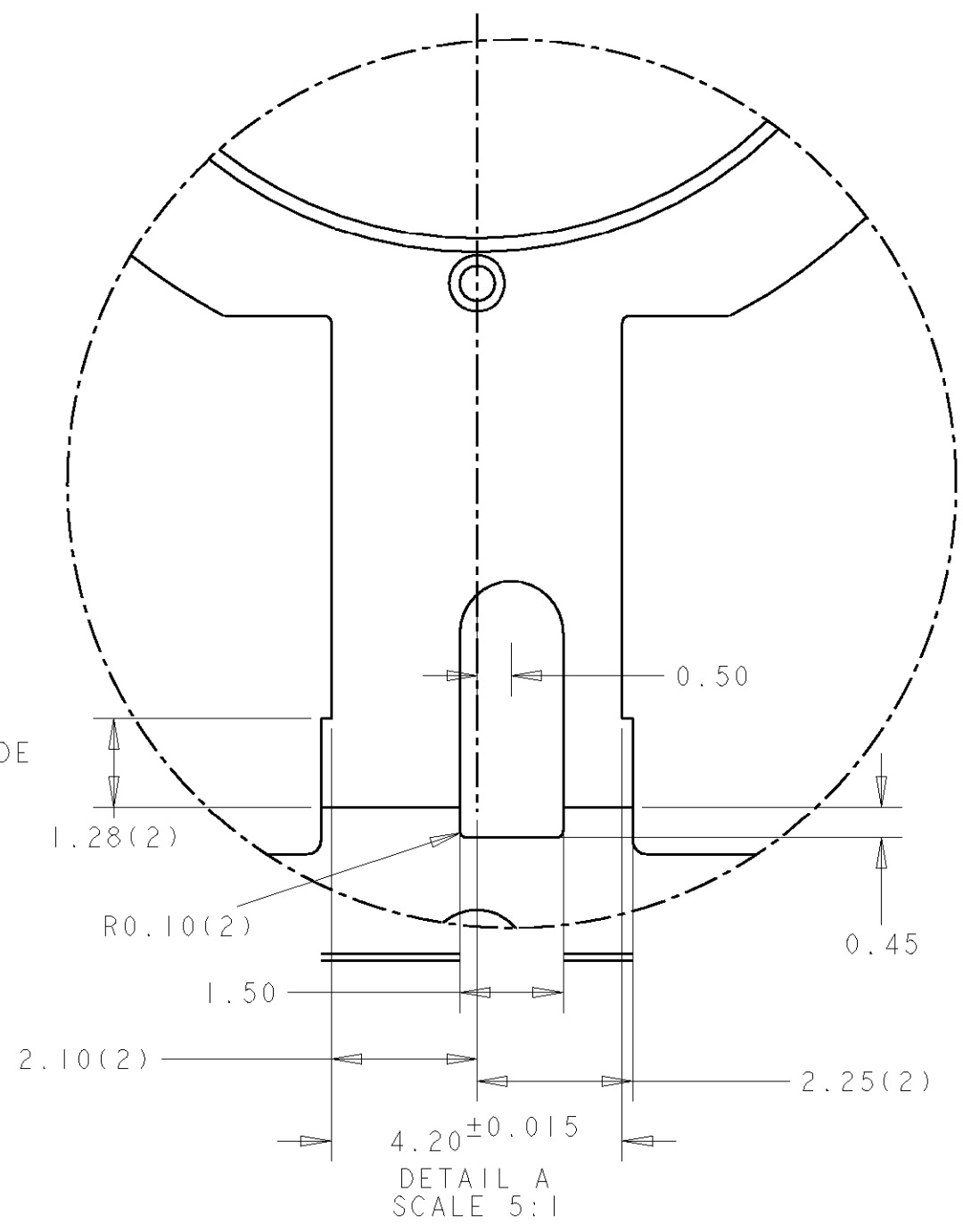
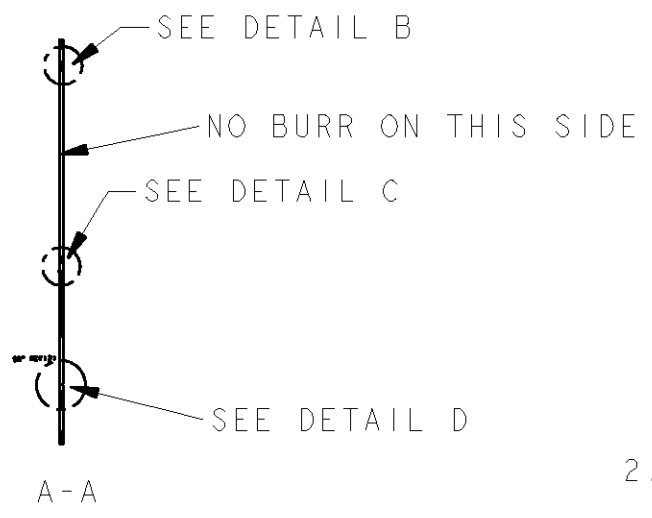
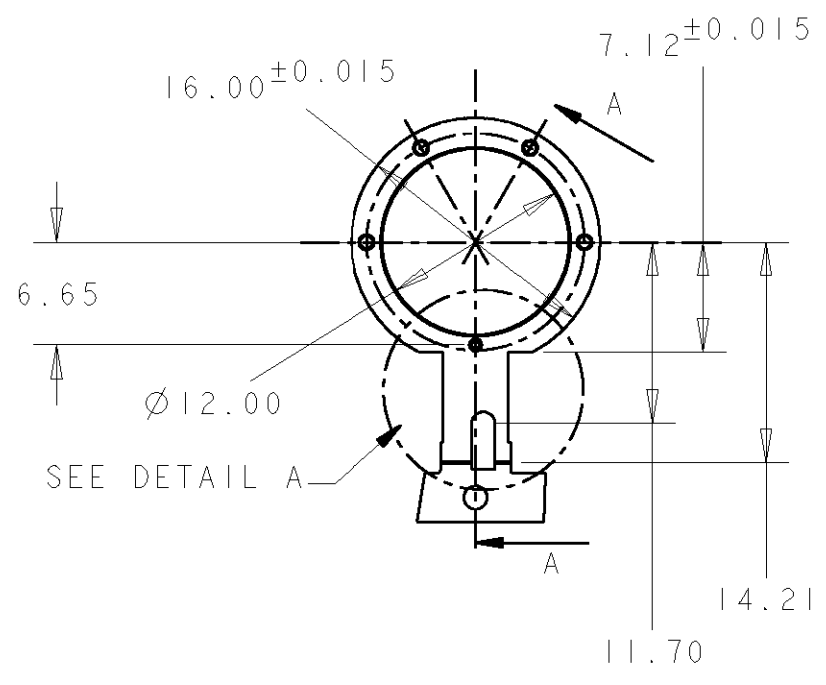
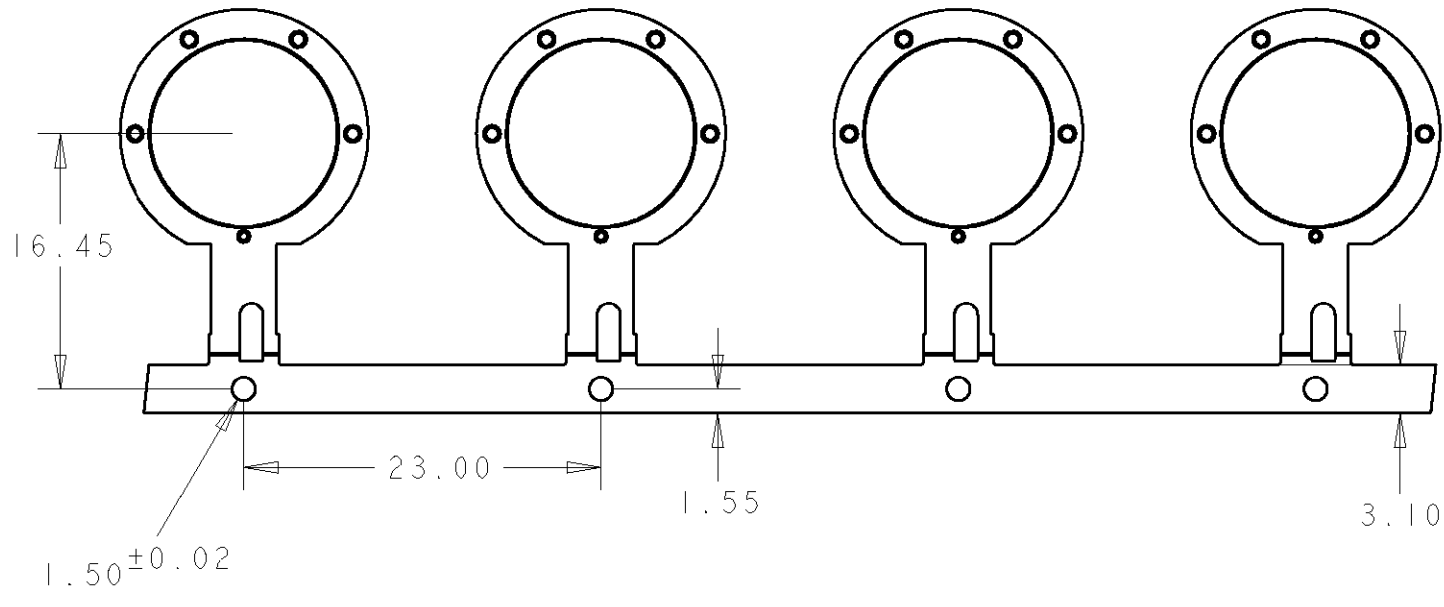
◆ ONGOING STATISTICAL PROCESS CONTROL REQUIRED (TOTAL 2 PCS.)

ITEM NO.	QTY.	PART NO.	DESCRIPTION
1	1	1513151-2	OVERMOLDED METAL RING
2	1	1513151-3	METAL RING
3	2	1513167-1	ANCHOR TAB
4	1	1513151-1	ASSEMBLY

<small>THIS DRAWING IS A CONTROLLED DOCUMENT FOR TYCO ELECTRONICS CORPORATION IT IS SUBJECT TO CHANGE AND THE CONTROLLING ENGINEERING ORGANIZATION SHOULD BE CONTACTED FOR THE LATEST REVISION.</small>		DWN DJL 06OCT2003 CHK - - APVD - - PRODUCT SPEC - APPLICATION SPEC - WEIGHT -	tyco Electronics Tyco Electronics Rochester, New York 14623
DIMENSIONS: mm 	TOLERANCES UNLESS OTHERWISE SPECIFIED: 0 PLC ±0.10 1 PLC ±0.10 2 PLC ±0.05 3 PLC ±0.05 4 PLC ±0.01 ANGLES ±1°	NAME Antenna Bluetooth/WLAN Assembly 1513151-1	
MATERIAL -	FINISH -	SIZE A3 CAGE CODE 00779 DRAWING NO. C-1513151	RESTRICTED TO -
CUSTOMER DRAWING		SCALE 4:1	SHEET 1 OF 4 REV E

THIS DRAWING IS UNPUBLISHED. RELEASED FOR PUBLICATION 20
 © COPYRIGHT 20 BY TYCO ELECTRONICS CORPORATION. ALL RIGHTS RESERVED.

LOC	DIST	REVISIONS				
P	LTR	DESCRIPTION	DATE	DWN	APVD	
HQ	00	-	SEE SHEET 1	-	-	



DETAIL A
SCALE 5:1

<small>THIS DRAWING IS A CONTROLLED DOCUMENT FOR TYCO ELECTRONICS CORPORATION IT IS SUBJECT TO CHANGE AND THE CONTROLLING ENGINEERING ORGANIZATION SHOULD BE CONTACTED FOR THE LATEST REVISION.</small>		DWN DJI	06OCT2003		Tyco Electronics Rochester, New York 14623
DIMENSIONS: mm		CHK -	APVD -		NAME Antenna Bluetooth/WLAN Metal Ring 1513151-3
		TOLERANCES UNLESS OTHERWISE SPECIFIED: 0 PLC ±0.5 1 PLC ±0.1 2 PLC ±0.05 3 PLC ±0.02 4 PLC ±0.01 ANGLES ±1°		PRODUCT SPEC -	APPLICATION SPEC -
MATERIAL -		FINISH -		WEIGHT -	RESTRICTED TO -
CUSTOMER DRAWING				SIZE A3	CAGE CODE 300779
				DRAWING NO C-1513151	RESTRICTED TO -
				SCALE 4:1	SHEET 3 OF 4
				REV E	