

Product Catalog



FCI: SETTING THE STANDARD FOR CONNECTORS

With operations in 30 countries, FCI is a leading manufacturer of connectors.

Our 13,500 employees are committed to providing customers with high-quality, innovative products for a wide range of consumer and industrial applications.



THE EASY WAY TO DO BUSINESS

Basics+ brings together our proven, standard connectors for board-to-board and wire/cable-to-board applications. Our goal is to save you time by providing "Easy To Use" services. All services are accessible via the dedicated Basics+ web site : www.fciconnect.com/basics

■ EASY TO SELECT A PRODUCT

This catalogue provides an easy overview of the most standard Basics+ products. For even more choice, our web catalogue provides the step search possibility that guides you step-by-step to your part number

■ EASY TO GET DOCUMENTATION

Data sheets, product drawings, specifications, application notes, packaging drawings and more are available on the web site for download. Just type the product number in the search field to get to the data sheet. From there you can easily access more supporting information.

■ EASY TO GET TECHNICAL SUPPORT

Get your technical questions answered within 24 hours on our e-mail hotline basics.help@fciconnect.com

■ EASY TO GET SAMPLES

Order a sample today, and you can start to work with your Basics+ product right away! Sample orders can be placed via the web site.

■ EASY TO GET COMMERCIAL INFORMATION

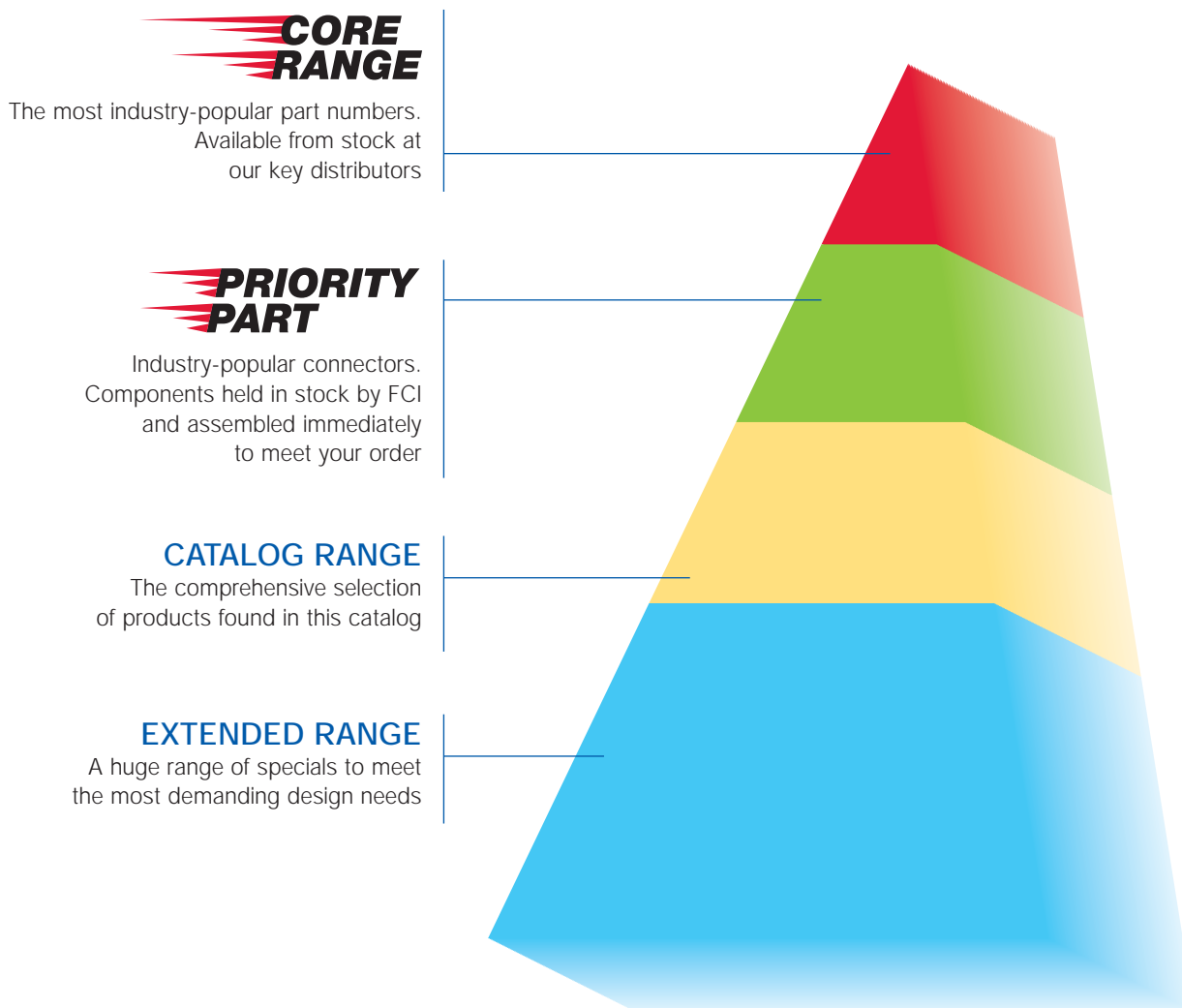
As a customer, you can have registered online access to prices, packaging quantities, minimum order quantities, and lead times. All the commercial information you need is at your fingertips.

■ EASY TO GET PRODUCTS

The CORE RANGE and PRIORITY PARTS offerings provide fast access to Basics+ products. See next page.

HOW TO CHOOSE YOUR **basics+** PARTS

The total Basics+ offering is very extensive and includes products to meet almost every design need. To help make your choices easier we have organised the range as shown below.



BOARD-TO-BOARD



BergStik® Unshrouded Headers 2.54mm (.100")	
Vertical - selective plating	10
Vertical - full plated	12
Vertical - continuous	14
Right angle - selective plating	16
Right angle - full plated	18
Stacking headers	20

Minitek™ Unshrouded Headers 2mm (.079")	
Vertical	54
Right angle	56
Stacking	58



Dubox™ Board-to-Board Receptacles 2.54mm (.100")	
Vertical	24
Low profile vertical - through mount	26
Low profile vertical - surface mount	28
Horizontal	30
Minitek™ Vertical receptacles	60



Dubox™ Shunts	22
Minitek™ Shunts	62

WIRE-TO-BOARD



Dubox™ Crimp-To-Wire 2.54mm (.100")	
Contacts	34
Housings	36

PV™ Superior Performance Crimp-To-Wire 2.54mm (.100")	
Contacts	40
Housings	42

Minitek™ Crimp-To-Wire 2.00mm (.079")	
Contacts	68
Housings	68



Minitek™ Shrouded Headers 2.54mm (.100)	32
PV™ Superior Performance Shrouded Headers 2.54mm (.100")	38

Minitek™ Shrouded Headers 2.00mm (.079")	
Vertical	64
Right angle	66

CABLE-TO-BOARD



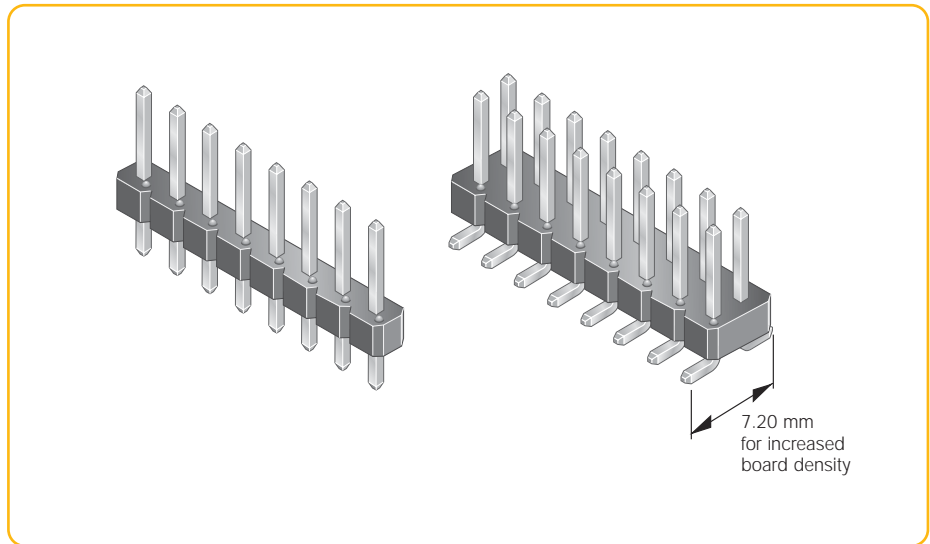
Quickie IDC Receptacles 2.54mm (.100)	50
Quickie® PCB Connectors 2.54mm (.100)	52
Minitek™ IDC Receptacles 2.00mm (.079")	70



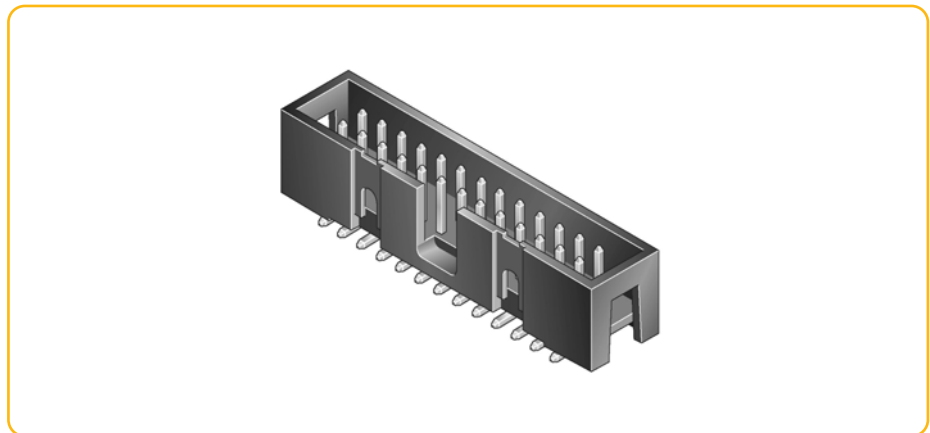
Quickie® Shrouded Headers 2.54mm (.100")	
Low Profile	44
Surface Mount and Pin-in-Paste	46
Eject latch	48

Minitek™ Shrouded Headers 2.00mm (.079")	
Vertical	64
Right angle	66

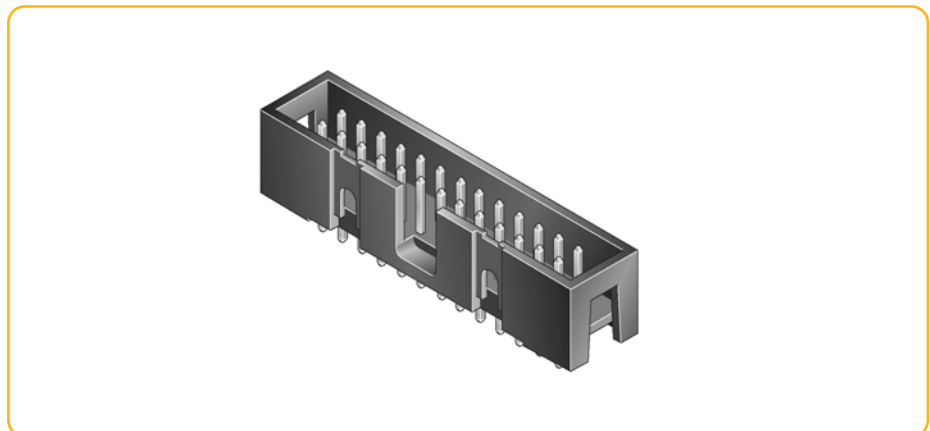
- ▶ Selectively plated headers means you only get gold on the pin tip where you want it and not in the solder bath where you don't.
Pages 10, 11, 16, 17.



- ▶ SMT Quickie® Low Profile Header.
Page 46-47



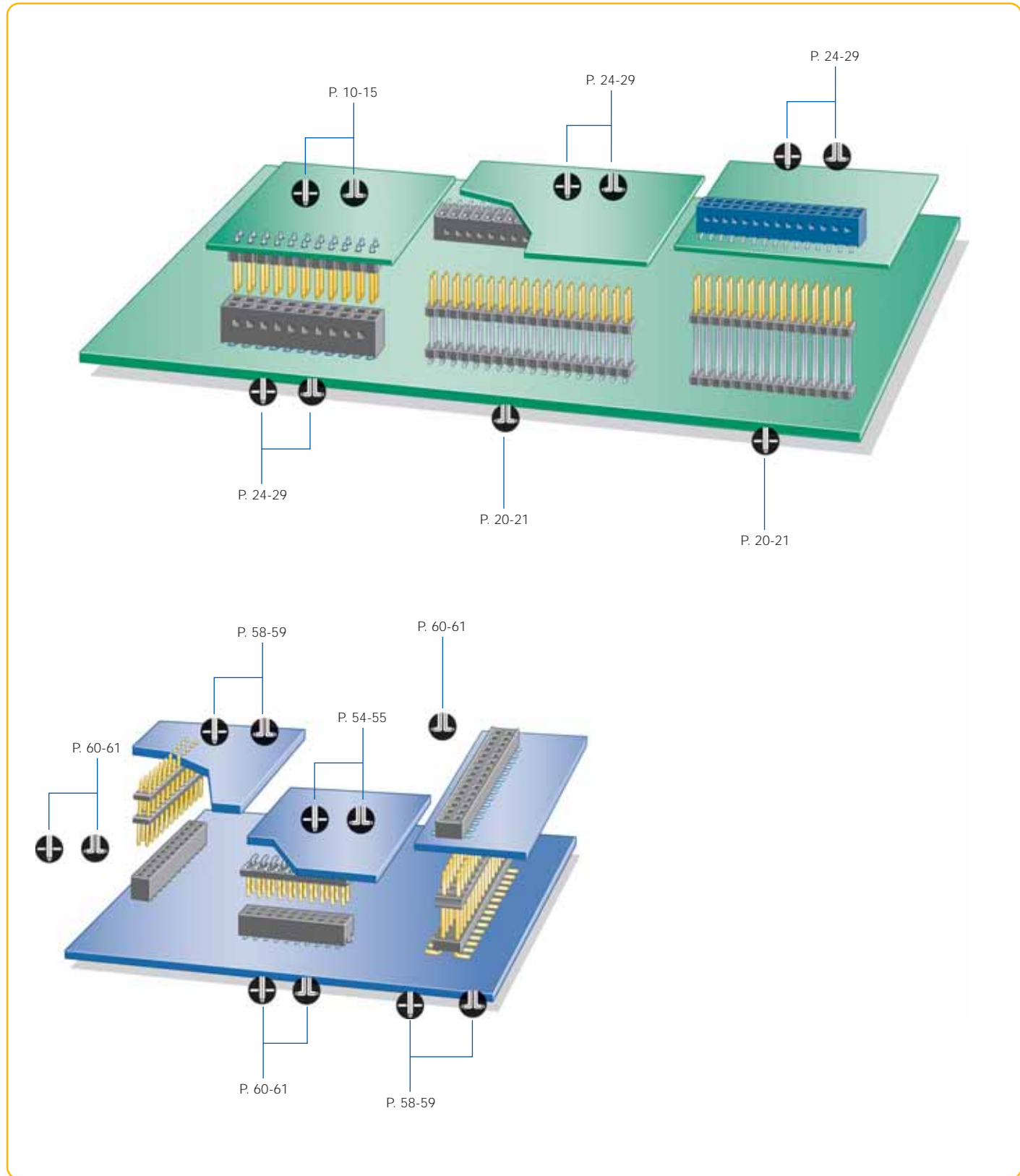
- ▶ The Pin-in-Paste Quickie® Low Profile Header features a special high temperature housing and is compatible with IR reflow soldering processes.
Page 46-47



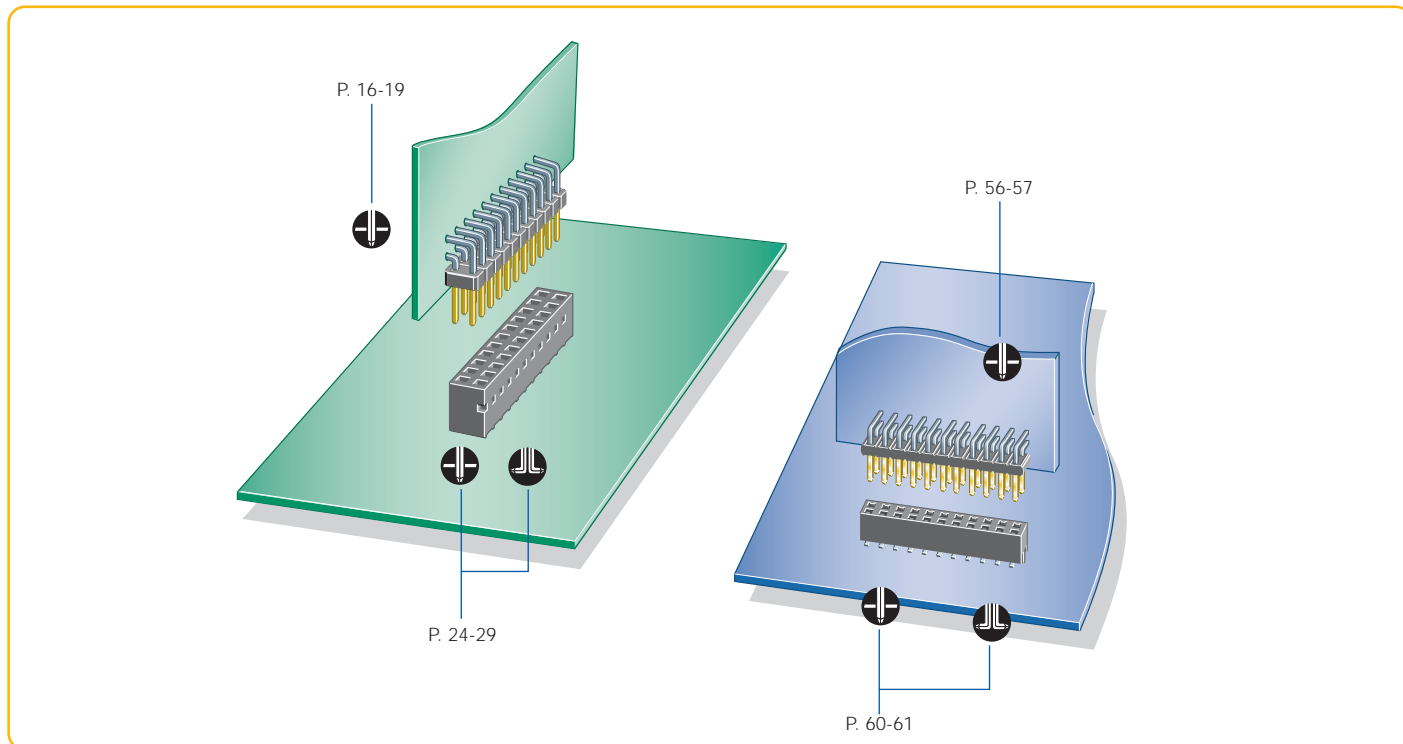


BOARD-TO-BOARD SOLUTIONS

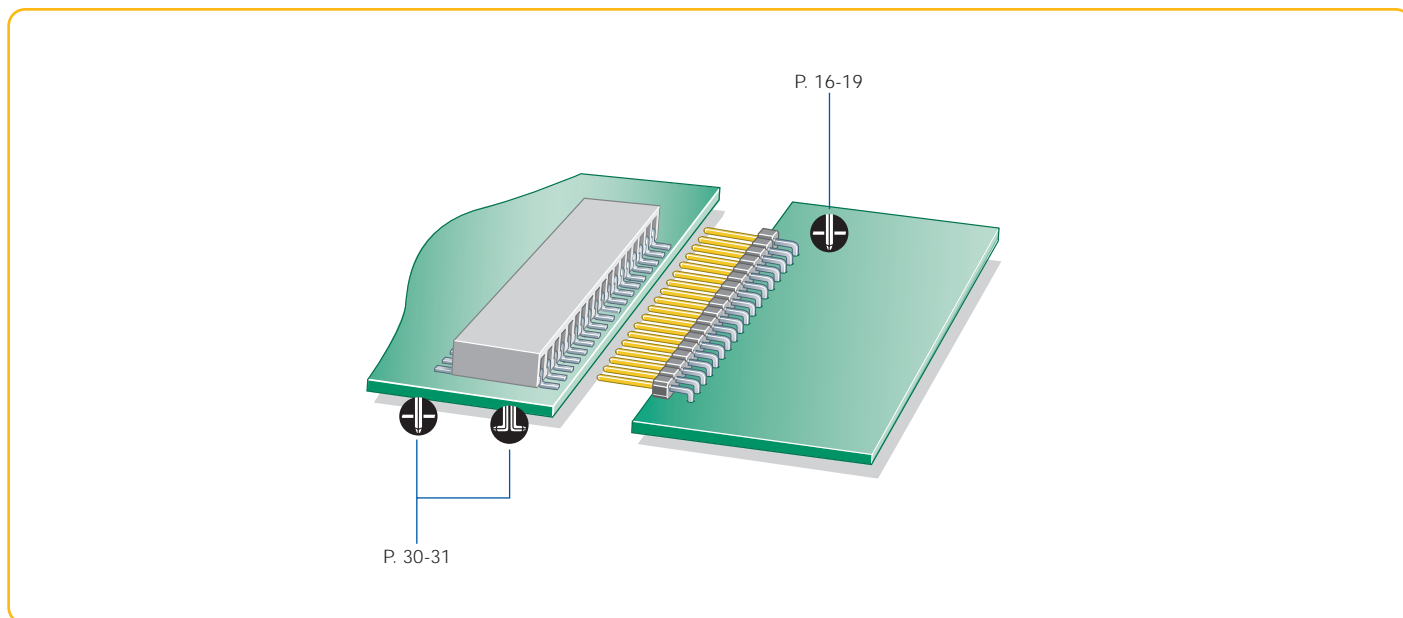
PARALLEL




PERPENDICULAR




PLANAR



 = 2.54 mm

 = Through Mount

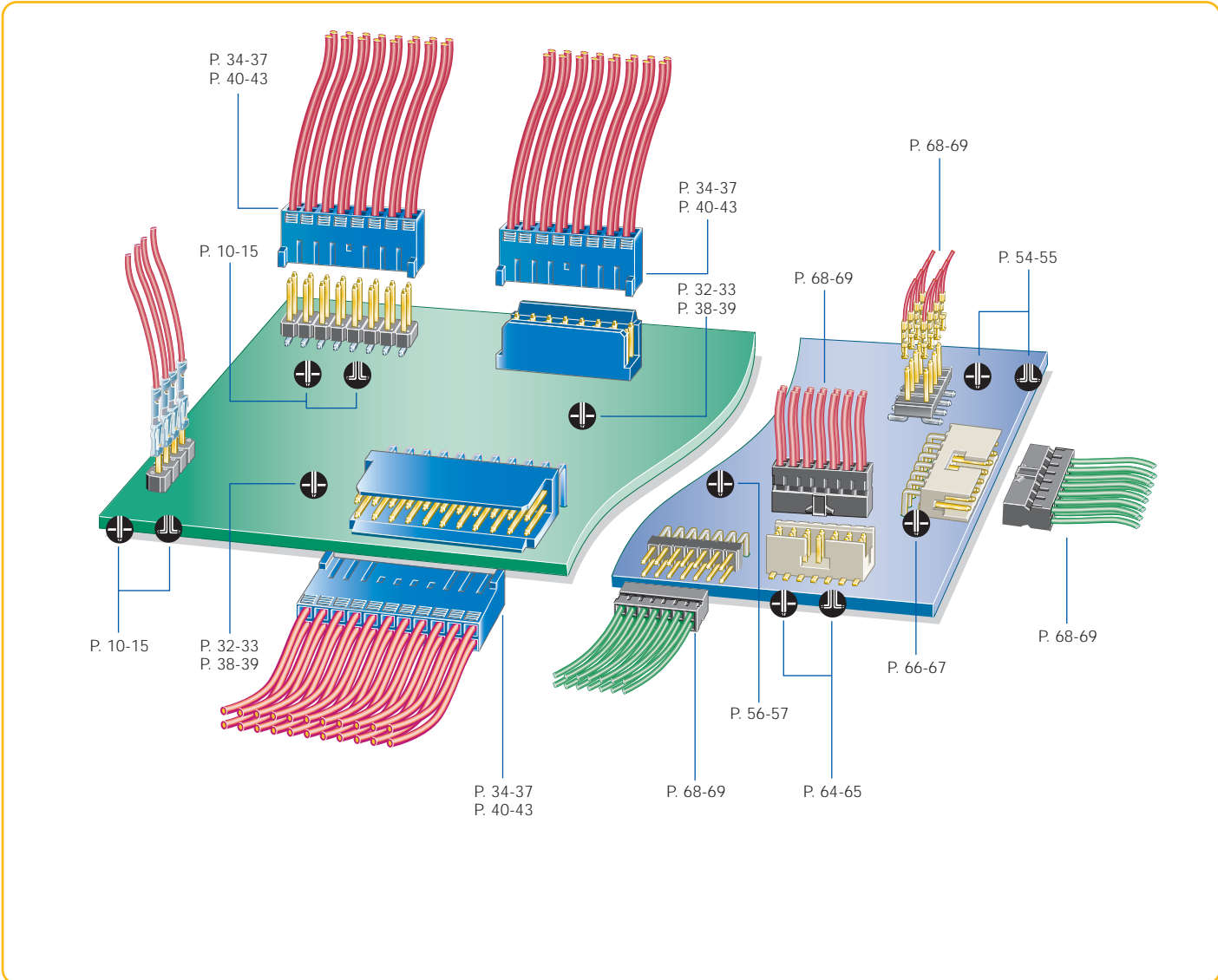
 = 2.00 mm

 = Surface Mount



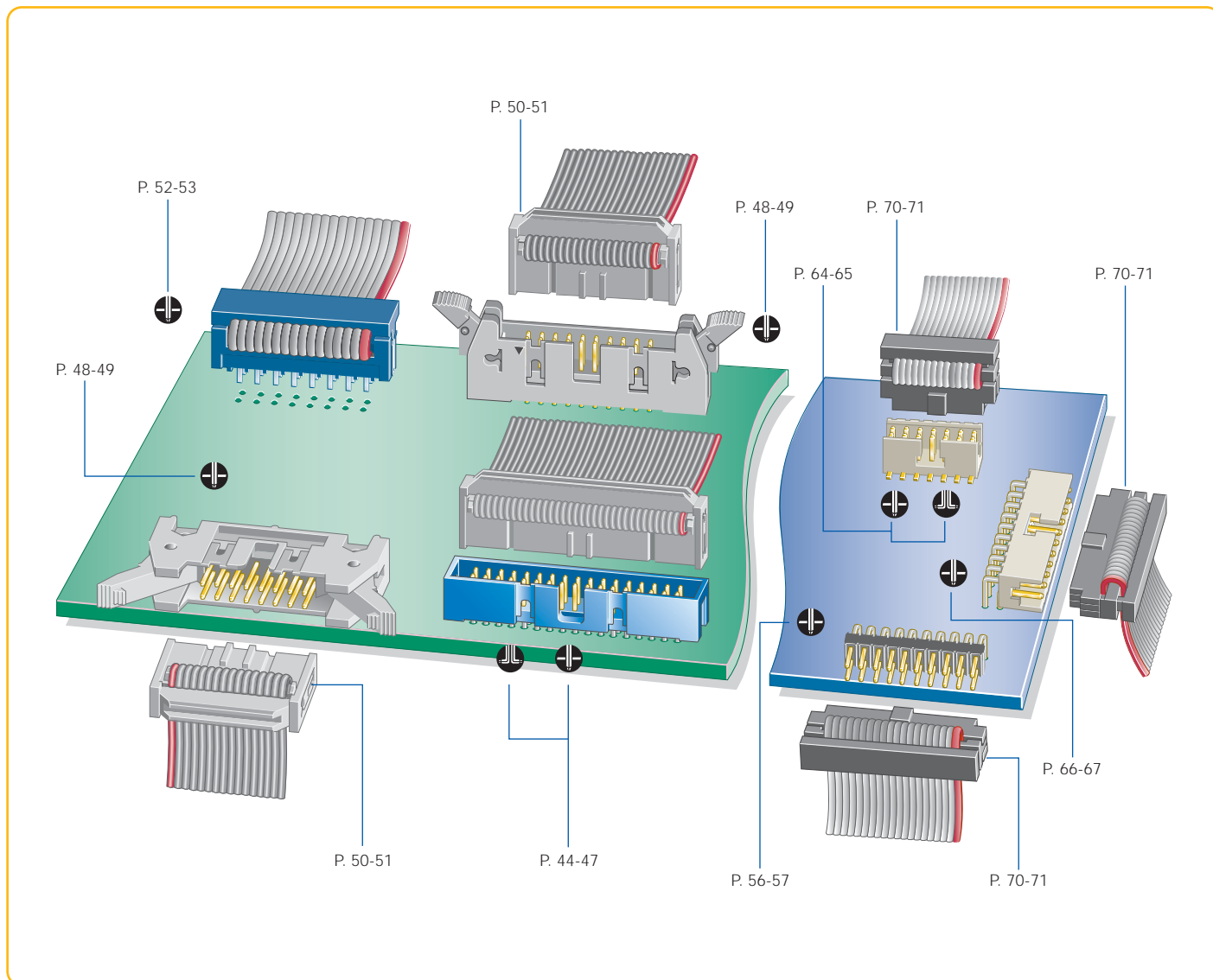
WIRE-TO-BOARD SOLUTIONS

DISCRETE WIRE



CABLE-TO-BOARD SOLUTIONS

FLAT CABLE IDC



- = 2.54 mm
- = 2.00 mm

- = Through Mount
- = Surface Mount

VERTICAL SELECTIVE PLATING



TECHNICAL DATA

Physical

- Housing: High temperature, black thermoplastic
- Flammability rating: UL 94 V-0
- Pin: Phosphor-bronze
- Plating: Gold or tin over 1.27 µm (50 µ") nickel

Electrical Performance

- Current rating: 3 A continuous
- Insulation resistance: 5000 MΩ min.
- Dielectric withstanding voltage: 1500 V

Mechanical Performance

- Pin retention to housing: 9 N min.

Operating Temperature Range

- -65°C to +125°C

Packaging

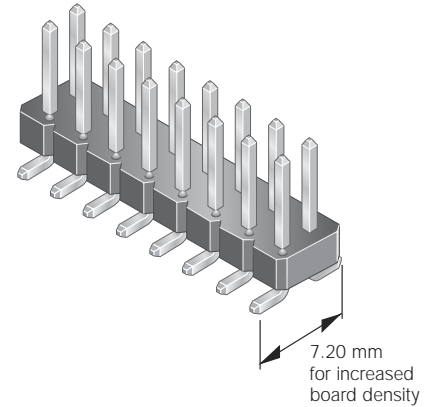
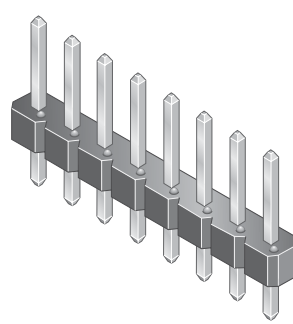
- Standard: Bags
- Optional: Tubes or Tape-and-reel with pick-up cap (SMT pin style 01 only)

Reference Information

- File no. E66906
 - File no. LR46923
 - Product drawing: By 5-digit base part number
 - Product specification: BUS-12-114
 - Tape and Reel packaging data: TA-840
- Specifications subject to change without notice.

MATING DATA

- Dubox™ Crimp-to-wire contacts 34
- Dubox™ Crimp-to-wire housings 36
- Dubox™ Vertical receptacles 24
- Dubox™ Low profile vertical receptacles 26, 28
- Dubox™ Horizontal receptacles 30
- Quickie™ IDC receptacles 50
- PV™ Crimp-to-Wire Contacts 40
- PV™ Crimp-to-Wire Housings 42



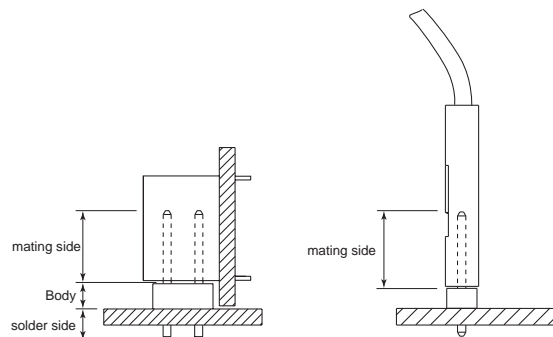
PROCESSING INFORMATION

- Compatible with wave, vapor-phase, and IR reflow soldering processes
- Recommended IR profile TA 842 for SMT

RoHS INFORMATION

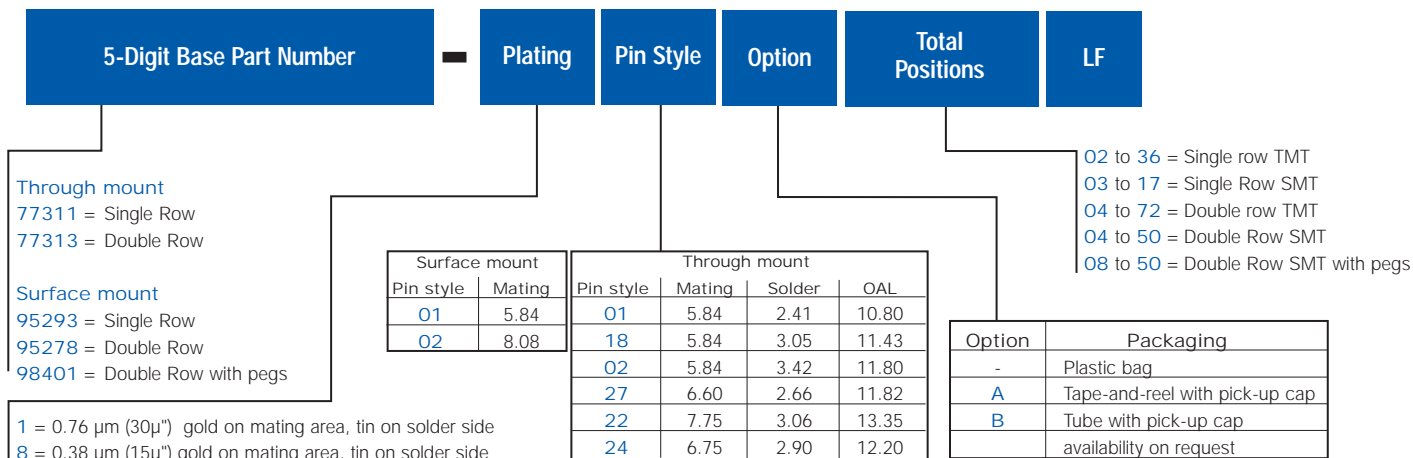
This product is RoHS compatible according to the European Union Directive 2002/95/IEC

TYPICAL APPLICATIONS



2.54 mm (.100")

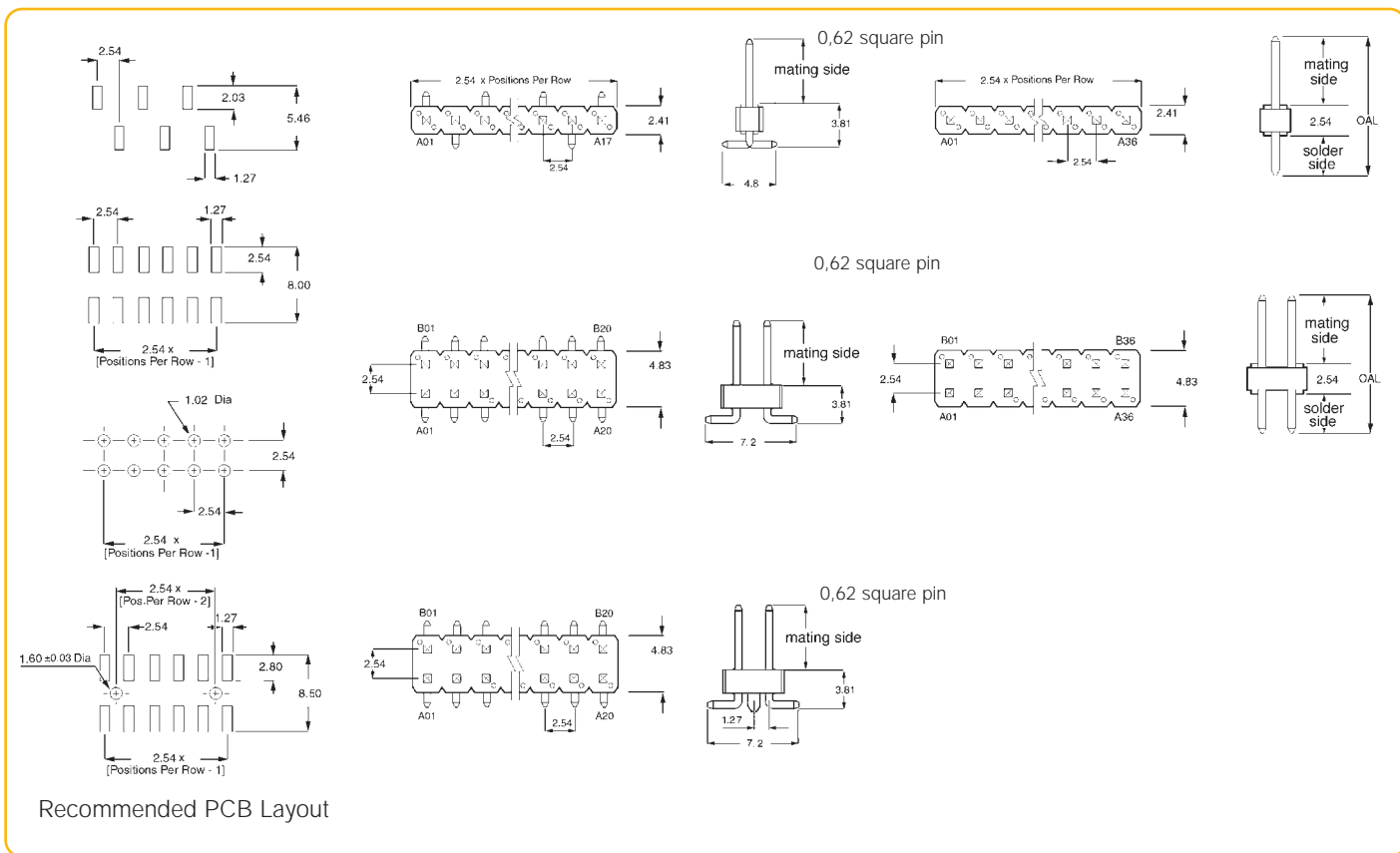
PART NUMBER



77311	-	101	-	XXLF
77311	-	118	-	XXLF
77311	-	124	-	XXLF
77313	-	101	-	XXLF
77313	-	118	-	XXLF
77313	-	124	-	XXLF
95278	-	101	A	XXLF

XX = 04, 06, 08, 10, 12, 16, 20

77311	-	101	-	TOTAL POS. LF
77311	-	118	-	TOTAL POS. LF
77311	-	124	-	TOTAL POS. LF
77313	-	101	-	TOTAL POS. LF
77313	-	118	-	TOTAL POS. LF
77313	-	124	-	TOTAL POS. LF
95278	-	101	A	TOTAL POS. LF



2.54 mm (.100")

VERTICAL FULL PLATING



TECHNICAL DATA

Physical

- Housing: High temperature, black thermoplastic
- Flammability rating: UL 94 V-0
- Pin: Phosphor-bronze
- Plating: Gold or tin over 1.27 µm (50µ") nickel



Electrical Performance

- Current rating: 3 A continuous
- Insulation resistance: 5000 MΩ min.
- Dielectric withstanding voltage: 1500 V

Mechanical Performance

- Pin retention to housing: 8.88 N (2 lbf) min.
- Retentive leg insertion force: >44.48 N max.
- Retentive leg board retention: 2.22 N

Operating Temperature Range

- -65°C to +125°C

Packaging

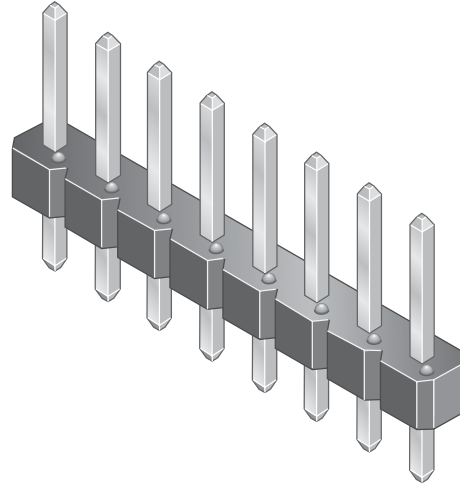
- Standard: Bags
- Optional: Tubes or Tape-and-reel with pick-up cap

Reference Information

- File no. E66906
 - File no. LR46923
 - Product drawing: By 5-digit base part number
 - Product specification: BUS-12-114
- Specifications subject to change without notice.

MATING DATA

- Dubox™ Crimp-to-wire contacts 34
- Dubox™ Crimp-to-wire housings 36
- Dubox™ Vertical receptacles 24
- Dubox™ Low profile vertical receptacles 26, 28
- Dubox™ Horizontal receptacles 30
- Quickie™ IDC receptacles 50
- PV™ Crimp-to-Wire Contacts 40
- PV™ Crimp-to-Wire Housings 42



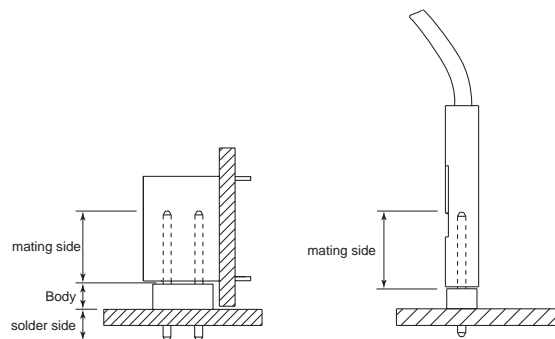
PROCESSING INFORMATION

Compatible with wave, vapor-phase, and IR reflow soldering processes

RoHs INFORMATION

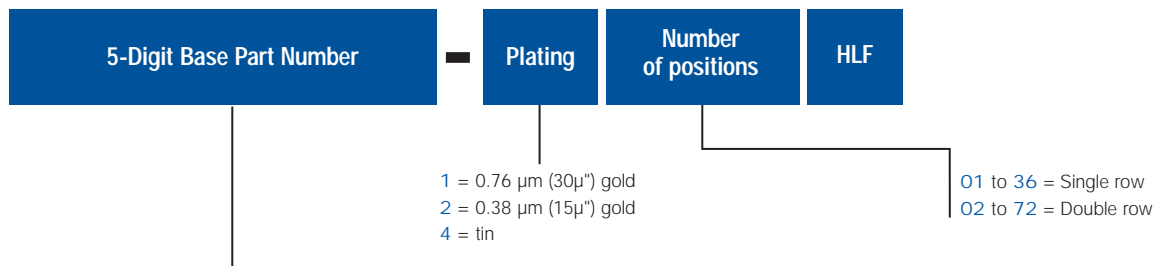
This product is RoHs compatible according to the European Union Directive 2002/95/IEC

TYPICAL APPLICATIONS



2.54 mm (.100")

PART NUMBER



Single Row

Base PN	Post		Tail		OAL	
	mm	(in.)	mm	(in.)	mm	(in.)
68000	5.84	0.230	2.41	0.095	10.80	0.425
68001	5.84	0.230	3.05	0.120	11.43	0.450
68002	5.84	0.230	3.81	0.150	12.19	0.480

Double Row

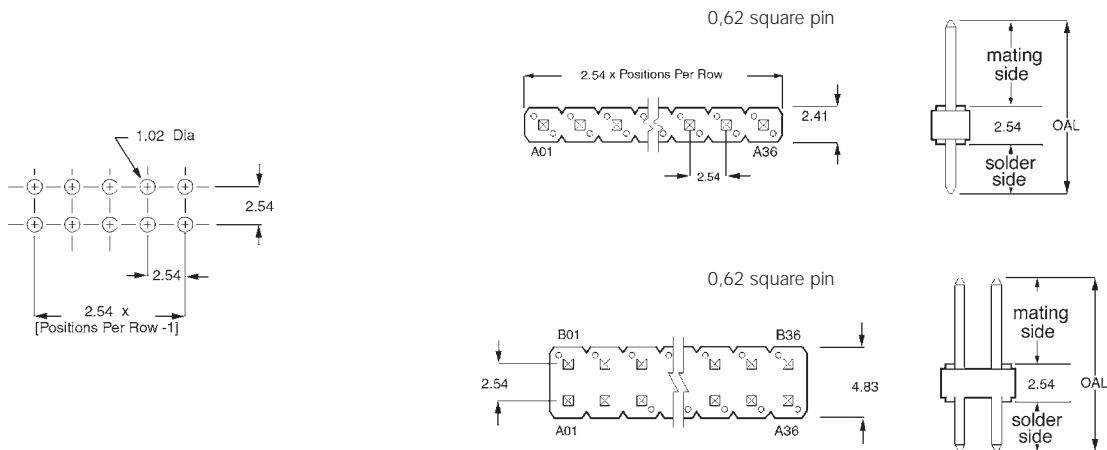
Base PN	Post		Tail		OAL	
	mm	(in.)	mm	(in.)	mm	(in.)
67996	5.84	0.230	2.41	0.095	10.80	0.425
67997	5.84	0.230	3.05	0.120	11.43	0.450
68602	5.84	0.230	3.81	0.150	12.19	0.480

- 68000 - 1XXHLF
 - 68001 - 1XXHLF
 - 68002 - 1XXHLF
- XX = 04, 06, 08, 10, 12, 16, 20
- 67996 - 1XXHLF
 - 67997 - 1XXHLF
 - 68602 - 1XXHLF
- XX = 04, 06, 08, 10, 12, 16, 20

CORE RANGE

- 68000 - 1XXHLF
 - 68001 - 1XXHLF
 - 68002 - 1XXHLF
 - 67996 - 1XXHLF
 - 67997 - 1XXHLF
 - 68602 - 1XXHLF
- XX = Total positions

PRIORITY PART



Dimensions in mm

2.54 mm (.100")



- Continuously molded and reeled
- High temperature plastic
- Various lengths cut from 1 part number
- Benchtop machine cuts, polarizes, and applies retentive leg

TECHNICAL DATA

Physical

- Housing: High temperature, black thermoplastic
- Flammability rating: UL 94 V-0
- Pin: Phosphor-bronze
- Plating: Gold or tin over 1.27 μm (50 μ") nickel



Electrical Performance

- Current rating: 3 A continuous
- Insulation resistance: 5000 MΩ min.
- Dielectric withstanding voltage: 1500 V

Mechanical Performance

- Pin retention to housing: 8.88 N (2 ibf) min.

Operating Temperature Range

- 65°C to +125°C

Packaging

- Reel

Reference Information

File no. E66906

File no. LR46923

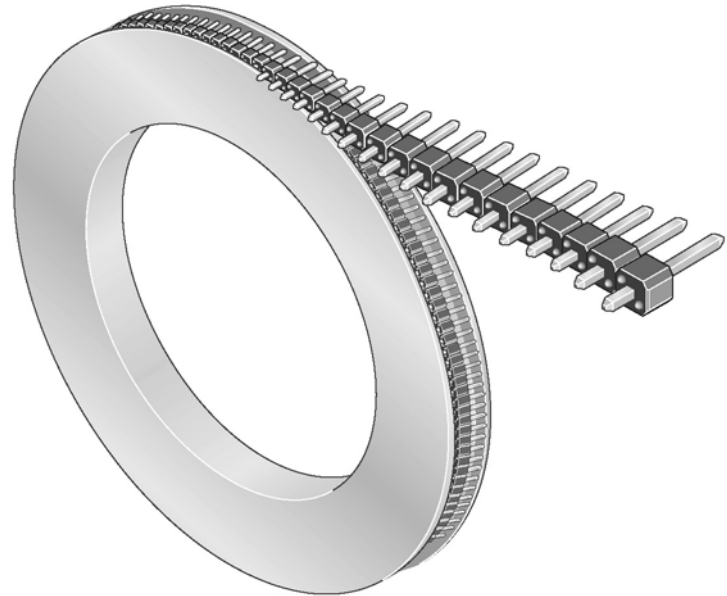
Product drawing: 54101 or 54102

Product specification: BUS-12-059

Specifications subject to change without notice.

MATING DATA

- Dubox™ Crimp-to-wire contacts 34
- Dubox™ Crimp-to-wire housings 36
- Dubox™ Vertical receptacles 24
- Dubox™ Low profile vertical receptacles 26, 28
- Dubox™ Horizontal receptacles 30
- Quickie™ IDC receptacles 50
- PV™ Crimp-to-Wire Contacts 40
- PV™ Crimp-to-Wire Housings 42



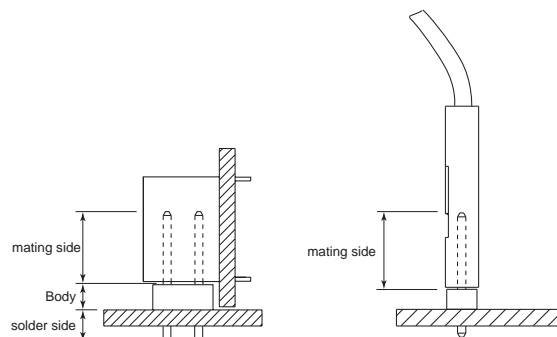
PROCESSING INFORMATION

Compatible with wave, vapor-phase, and IR reflow soldering processes

RoHs INFORMATION

This product is RoHs compatible according to the European Union Directive 2002/95/IEC

TYPICAL APPLICATIONS



Automated cutting tooling is available for this product. Please contact your FCI partner.

PART NUMBER



1 = 0.76 μm (30 μin) gold
 2 = 0.38 μm (15 μin) gold
 4 = tin

Single Row

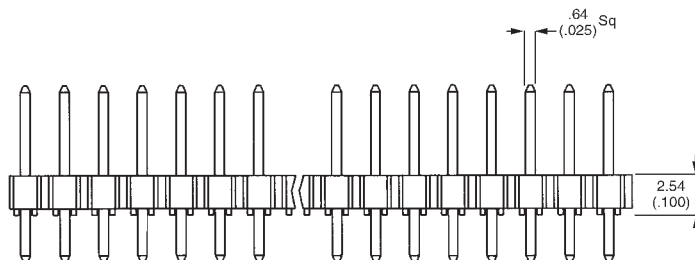
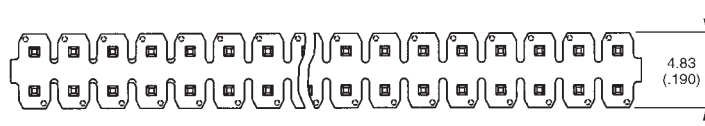
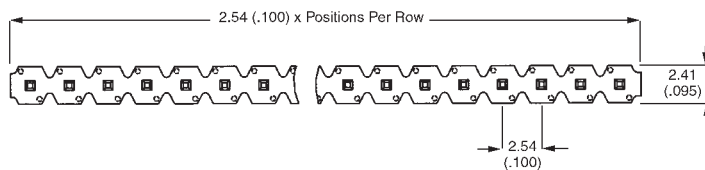
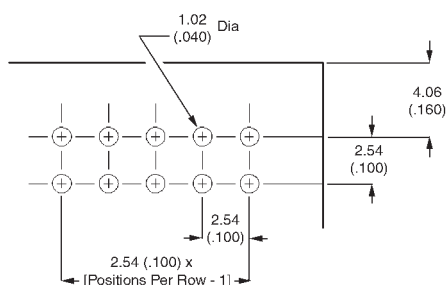
Base PN	Post		Tail		OAL	
	mm	(in.)	mm	(in.)	mm	(in.)
68000	5.84	0.230	2.41	0.095	10.80	0.425
68001	5.84	0.230	3.05	0.120	11.43	0.450
68002	5.84	0.230	3.81	0.150	12.19	0.480

Double Row

Base PN	Post		Tail		OAL	
	mm	(in.)	mm	(in.)	mm	(in.)
67996	5.84	0.230	2.41	0.095	10.80	0.425
67997	5.84	0.230	3.05	0.120	11.43	0.450
68602	5.84	0.230	3.81	0.150	12.19	0.480

- 68000 - 100HLF
- 68001 - 100HLF
- 68002 - 100HLF
- 67996 - 100HLF
- 67997 - 100HLF
- 68602 - 100HLF

PRIORITY PART



2.54 mm (.100")

BergStik® UNSHROUDED HEADERS 2.54 mm (.100")

RIGHT ANGLE SELECTIVE PLATING



- High temperature plastic
- Selective plating

TECHNICAL DATA

Physical

- Housing: High temperature, black thermoplastic
- Flammability rating: UL 94 V-0
- Pin: Phosphor-bronze
- Plating: Gold or tin over 1.27 µm (50µ") nickel



Electrical Performance

- Current rating: 3 A continuous
- Insulation resistance: 5000 MΩ min.
- Dielectric withstanding voltage: 1500 V

Mechanical Performance

- Pin retention to housing: 8.88 N min.

Operating Temperature Range

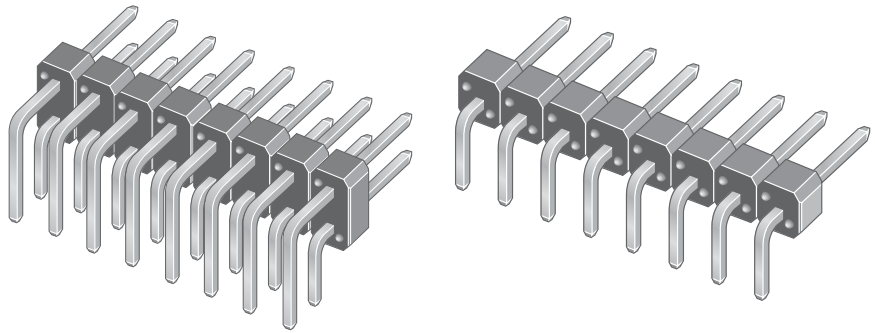
- 65°C to +125°C

Packaging

- Bags

Reference Information

- File no. E66906
 - File no. LR46923
 - Product drawing: By 5-digit base part number
 - Product specification: BUS-12-114
- Specifications subject to change without notice.



MATING DATA

- Dubox™ Crimp-to-wire contacts 34
- Dubox™ Crimp-to-wire housings 36
- Dubox™ Vertical receptacles 24
- Dubox™ Low profile vertical receptacles 26, 28
- Dubox™ Horizontal receptacles 30
- Quickie™ IDC receptacles 50
- PV™ Crimp-to-Wire Contacts 40
- PV™ Crimp-to-Wire Housings 42

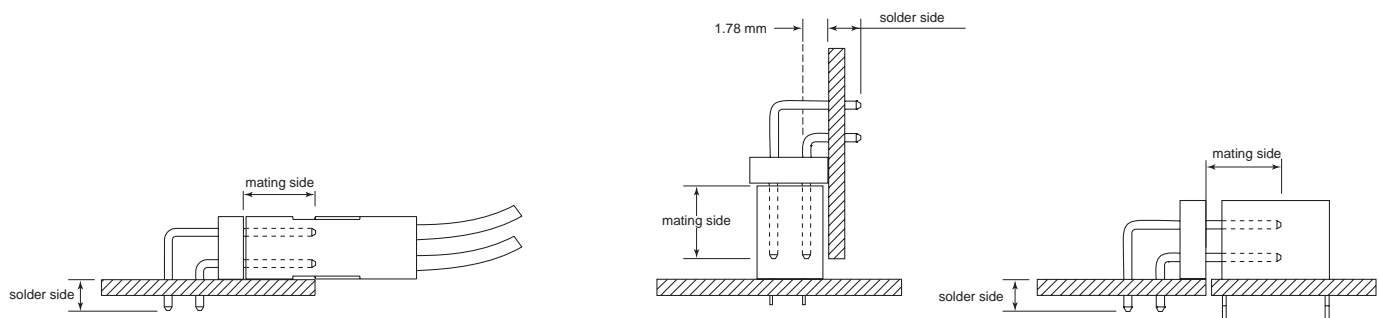
PROCESSING INFORMATION

Compatible with wave, vapor-phase, and IR reflow soldering processes

RoHS INFORMATION

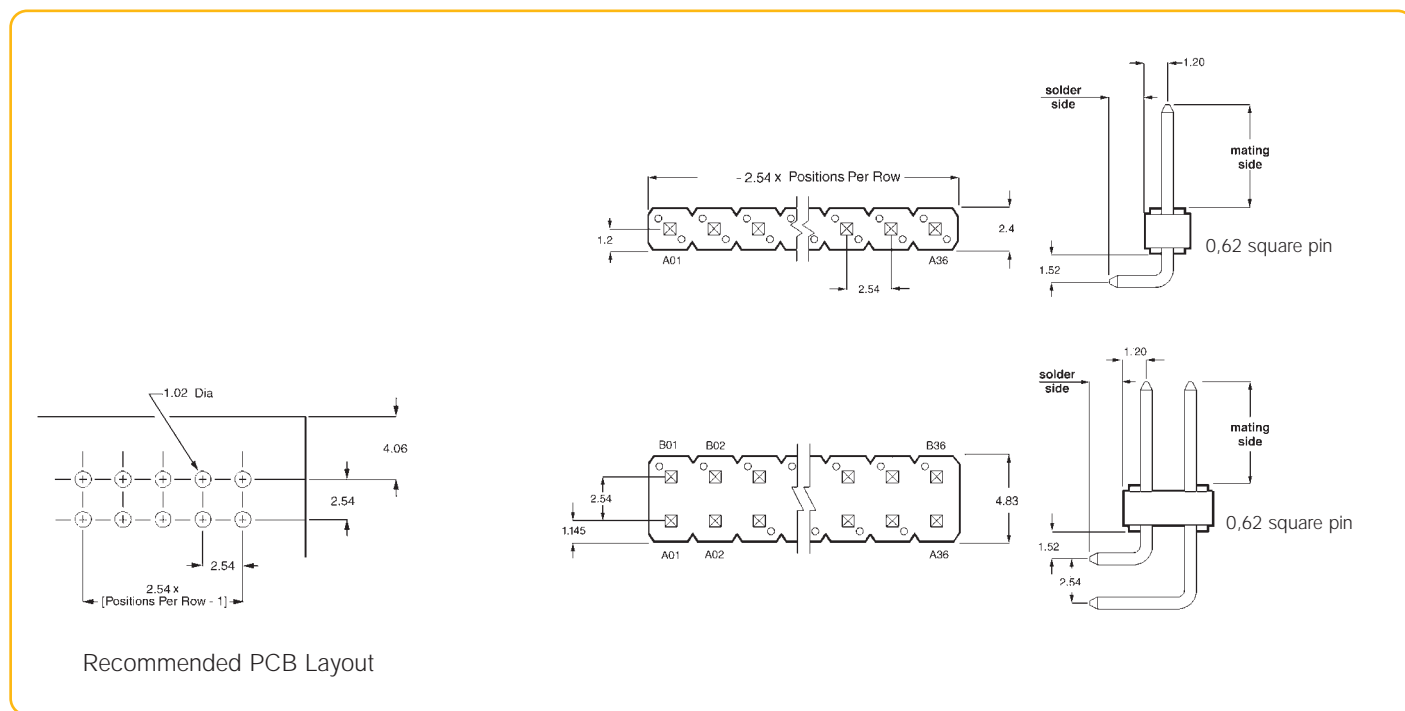
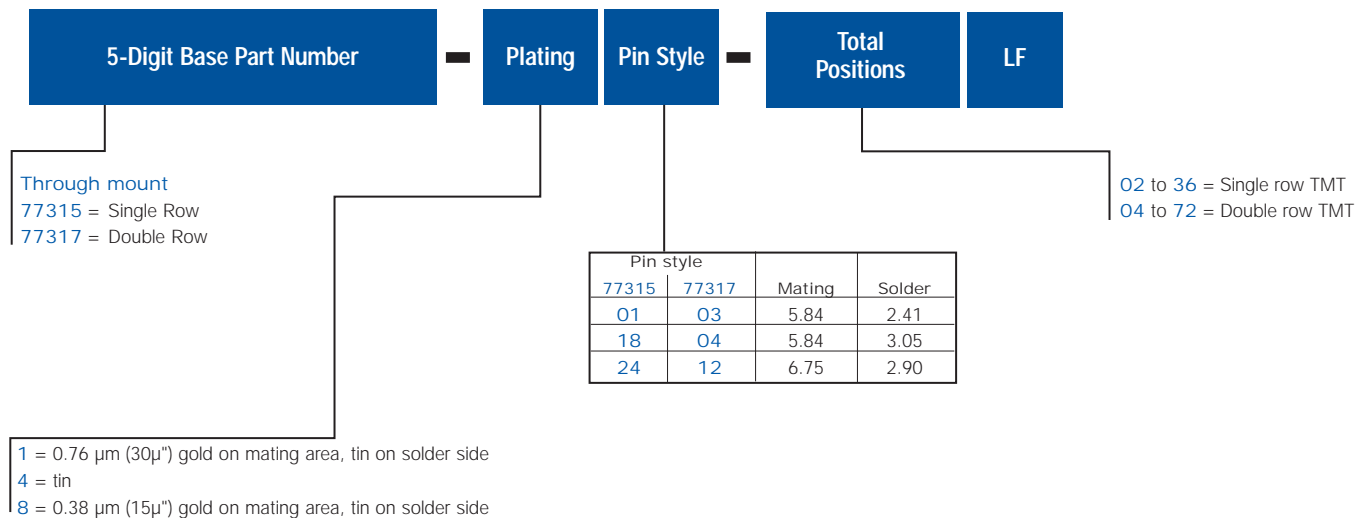
This product is RoHS compatible according to the European Union Directive 2002/95/IEC

TYPICAL APPLICATIONS



2.54 mm (.100")

PART NUMBER



RIGHT ANGLE FULL PLATING



TECHNICAL DATA

Physical

- Housing: High temperature, black thermoplastic
- Flammability rating: UL 94 V-0
- Pin: Phosphor-bronze
- Plating: Gold or tin over 1.27 µm (50µ") nickel



Electrical Performance

- Current rating: 3 A continuous
- Insulation resistance: 5000 MΩ min.
- Dielectric withstanding voltage: 1500 V

Mechanical Performance

- Pin retention to housing: 8.88 N min.
- Retentive leg insertion force: > 44.48 N max.
- Retentive leg board retention: > 2.22 N

Operating Temperature Range

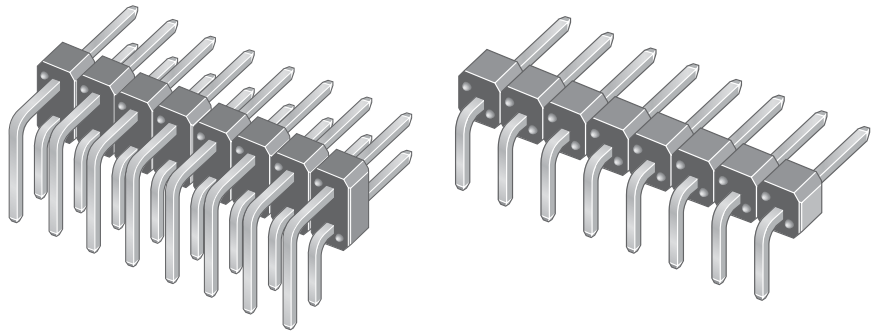
- -65°C to +125°C

Packaging

- Bags

Reference Information

- File no. E66906
 - File no. LR46923
 - Product drawing: 55101 or 55102
 - Product specification: BUS-12-114
- Specifications subject to change without notice.



MATING DATA

- Dubox™ Crimp-to-wire contacts 34
- Dubox™ Crimp-to-wire housings 36
- Dubox™ Vertical receptacles 24
- Dubox™ Low profile vertical receptacles 26, 28
- Dubox™ Horizontal receptacles 30
- Quickie™ IDC receptacles 50
- PV™ Crimp-to-Wire Contacts 40
- PV™ Crimp-to-Wire Housings 42

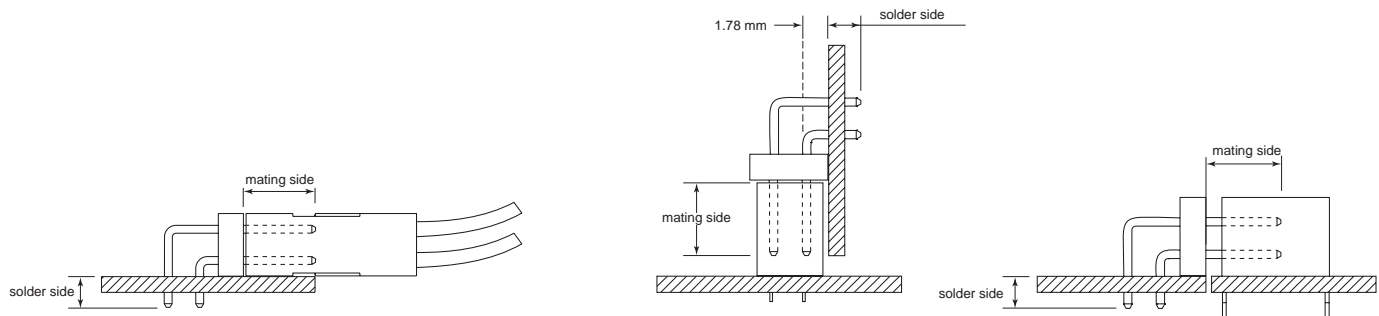
PROCESSING INFORMATION

Compatible with wave, vapor-phase, and IR reflow soldering processes

RoHS INFORMATION

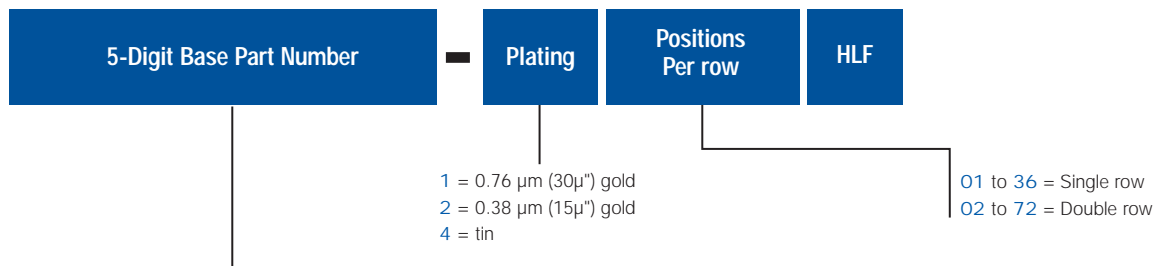
This product is RoHS compatible according to the European Union Directive 2002/95/IEC

TYPICAL APPLICATIONS



2.54 mm (.100")

PART NUMBER

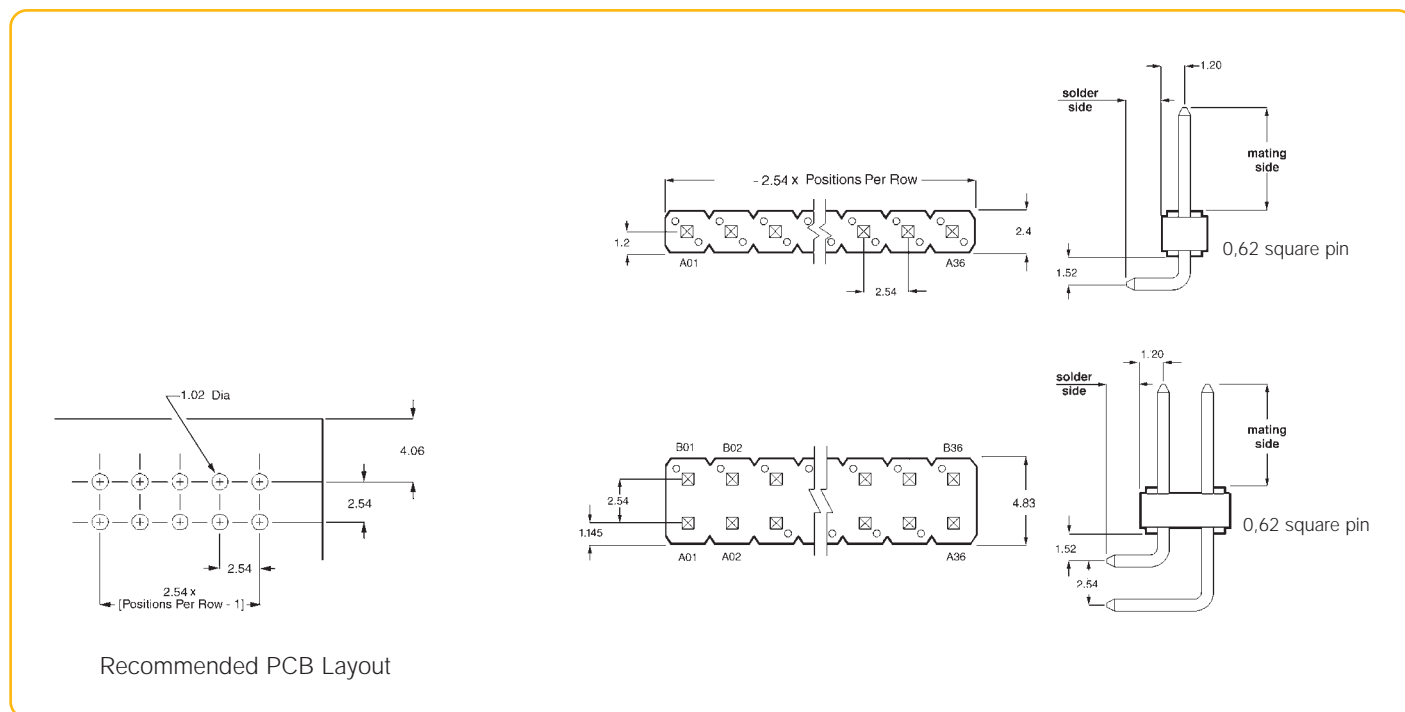


Single Row

Base PN	Post		Tail	
	mm	(in.)	mm	(in.)
68015	5.84	0.230	2.29	0.095
68016	5.84	0.230	3.05	0.120

Double Row

Base PN	Post		Tail	
	mm	(in.)	mm	(in.)
68020	5.84	0.230	2.41	0.095
68021	5.84	0.230	3.05	0.120



Dimensions in mm

2.54 mm (.100")

BergStik® UNSHROUDED STACKING HEADERS 2.54 mm (.100")



- Wide variety of stack heights in 0.5 mm increments
- High temperature plastic
- Selective plating

TECHNICAL DATA

Physical

- Housing: High temperature, black thermoplastic
- Flammability rating: UL 94 V-0
- Pin: Phosphor-bronze
- Plating: Gold or tin over 1.27 µm (50µ") nickel



Electrical Performance

- Current rating: 3 A continuous
- Insulation resistance: 5000 MΩ min.
- Dielectric withstanding voltage: 1500 V

Mechanical Performance

- Pin retention to housing: 9 N min.

Operating Temperature Range

- 65°C to +125°C

Packaging

- Standard: Bags

Reference Information

File no. E66906

File no. LR46923

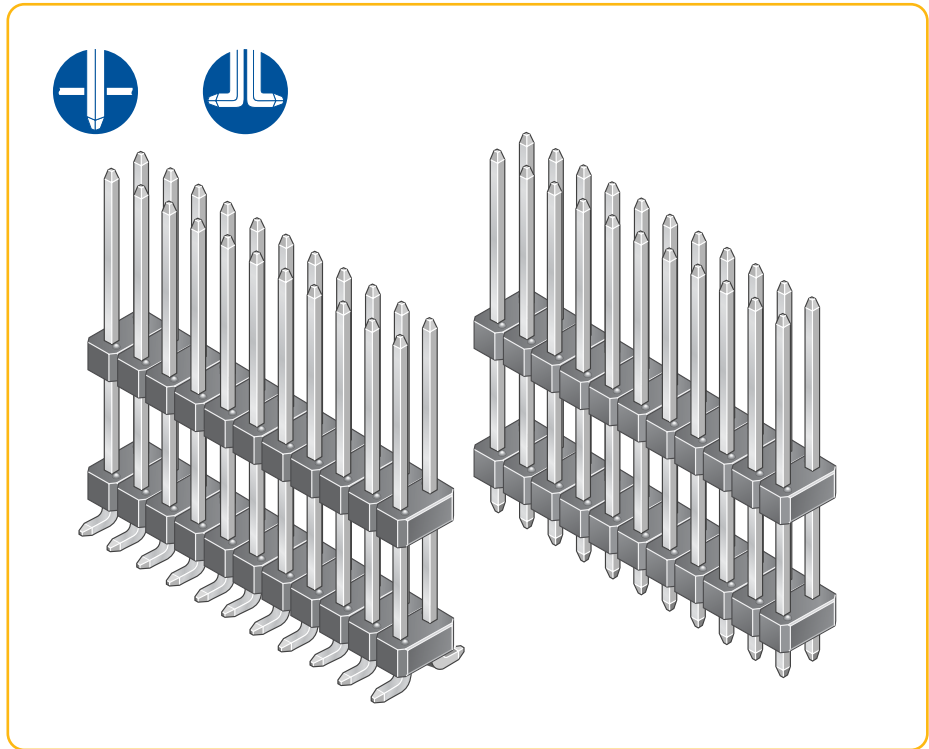
Product drawing: By 5-digit base part number

Product specification: BUS-12-114

Specifications subject to change without notice.

MATING DATA

- Dubox™ Vertical receptacles 24
- Dubox™ Low profile vertical receptacles 26,28



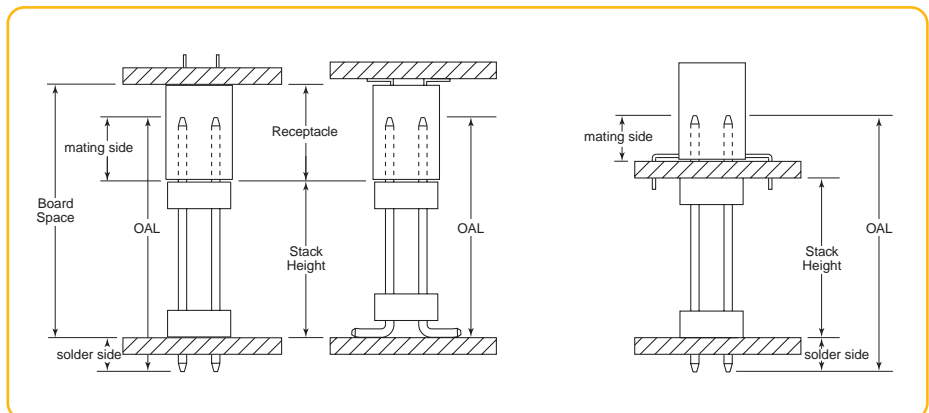
PROCESSING INFORMATION

Compatible with wave, vapor-phase, and IR reflow soldering processes

RoHS INFORMATION

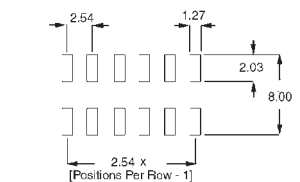
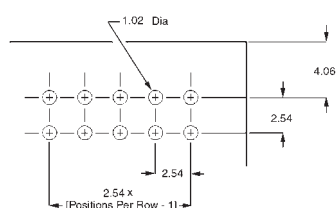
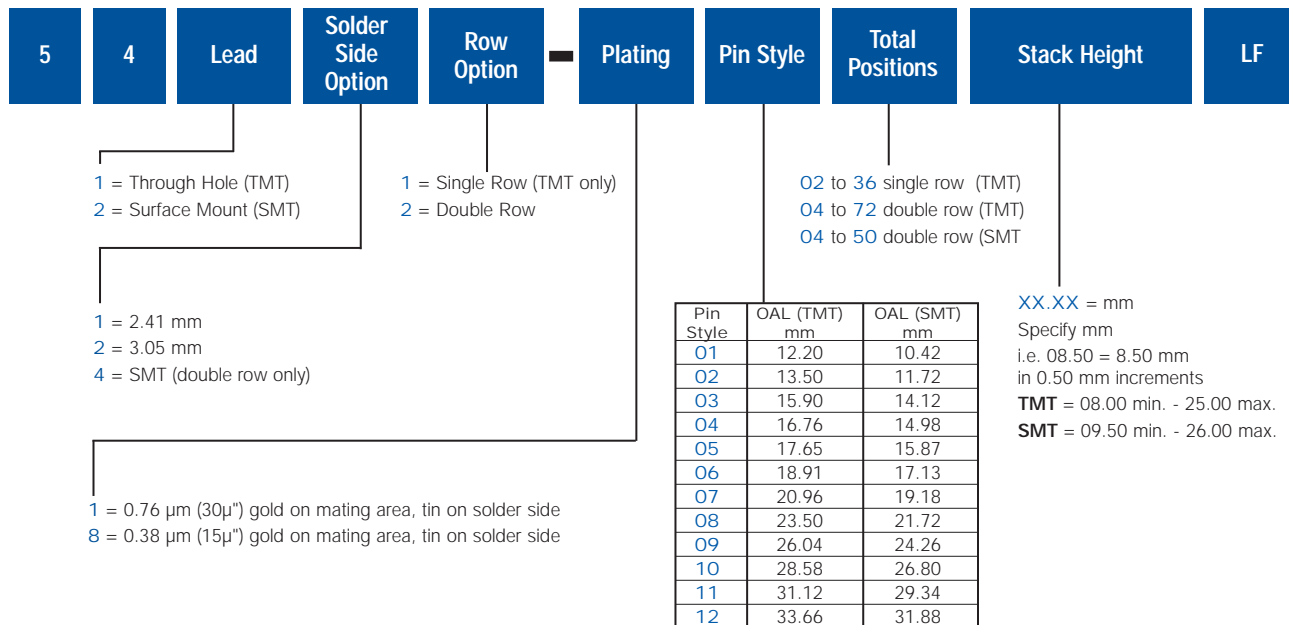
This product is RoHS compatible according to the European Union Directive 2002/95/IEC

TYPICAL APPLICATIONS

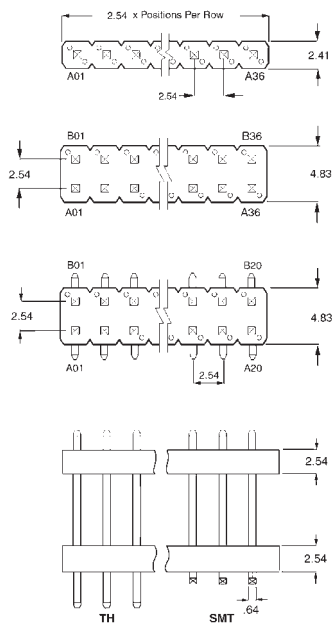


2.54 mm (.100")

PART NUMBER



Recommended PCB Layout



Step-by-Step Design

1. Determine desired board spacing (0.50 mm increments)
2. Select Dubox™ receptacle and calculate stack height
Stack Height = Board Spacing – Receptacle Height
3. Find the insertion depth from the chart below.
Calculate max./min. OAL
OAL = Stack Height + solder side + Insertion Depth
4. Select the Pin Style with OAL between max. and min. values

Dubox™ RECEPTACLES

	Low Profile	Vertical
Height	7.00	8.50
Insertion Depth (max.)	6.10	6.10
Insertion Depth (min.)	3.86	4.34

Example:

1. Application requires a board spacing of 22.50
2. Select the Dubox™ Low Profile Receptacle with height of 7.00
The Header Stack Height is 22.50 - 7.00 = 15.50
3. For standard board applications, the 3.05 solder side is selected
OAL (max.) = 15.50 + 3.05 + 6.10 = 24.65
OAL (min.) = 15.50 + 3.05 + 3.86 = 22.41
4. Select Pin Style 08 with OAL = 23.50
5. Part Number is 54122-108721550LF

Dimensions in mm



- ▶ Dual-beam contacts for added reliability
- ▶ Slotted cutout in low profile housing simplifies electrical testing
- ▶ Side-by-side and end-to-end stackable

TECHNICAL DATA

Physical

- ▶ Housing: Black thermoplastic
- ▶ Flammability rating: UL 94 V-0
- ▶ Pin: Phosphor-bronze
- ▶ Plating: Gold or tin over 1.27 μm (50 μin) nickel



Low profile only

Electrical Performance

- ▶ Current rating: 2.5 A max. per contact
- ▶ Insulation resistance: 50,000 $\text{M}\Omega$ min.
- ▶ Contact resistance: 15 $\text{M}\Omega$ max. initial, 20 Ωm max. after environmental tests
- ▶ Dielectric withstanding voltage: 800 V

Mechanical Performance

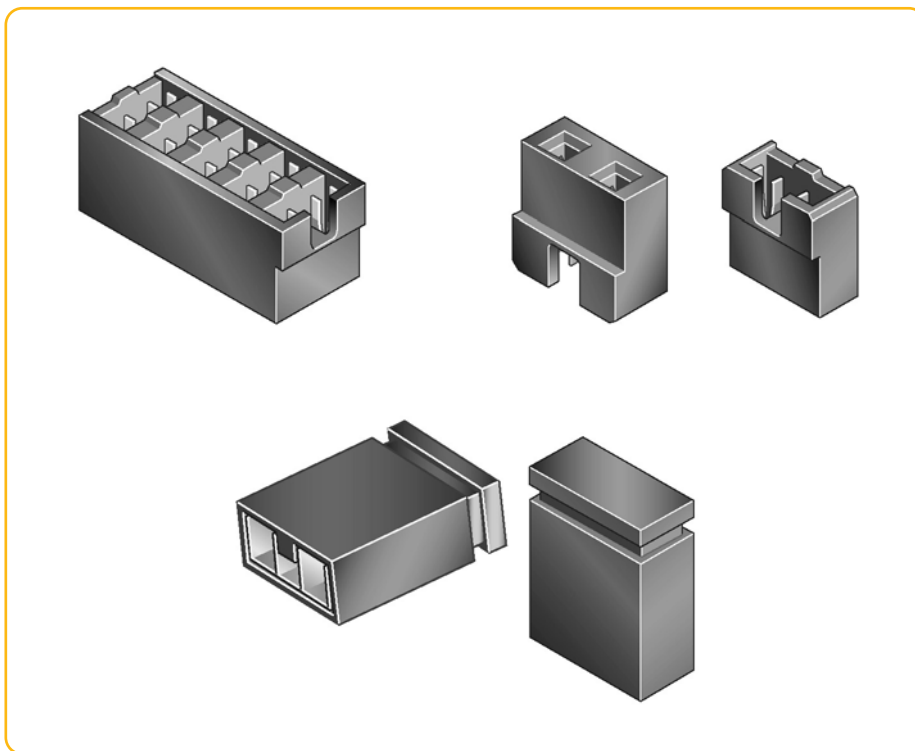
- ▶ Mating cycles (durability): 50-Gold
25-Tin.
- ▶ Insertion force:
450 gf max. per gold contact
500 gf max. per tin-lead contact
- ▶ Withdrawal force:
30 gf min. per gold contact
30 gf min. per tin-lead contact

Operating Temperature Range

- ▶ -55°C to +120°C

Packaging

- ▶ Plastic bags



Reference Information

- ▶ File no. E66906
- ▶ File no. LR46923
- ▶ Product drawing: By 5-digit base number
- ▶ Product specification:
BUS-12-071 - Gold
BUS-12-070 - Tin

Specifications subject to change without notice.

MATING DATA

- ▶ Continuous unshrouded headers 14
- ▶ Unshrouded vertical headers 10, 12
- ▶ Unshrouded right angle headers 16, 18

INSERTION DEPTH

- ▶ 4.85 mm (.191") min. [provides 3.81 mm (.015") wipe] - Low profile

RoHs INFORMATION

This product is RoHs compatible according to the European Union Directive 2002/95/IEC

PART NUMBER

Low profile



2 = 0.76 μm (30 μi) gold
3 = tin

Standard



2 = 0.76 μm (30 μi) gold
3 = tin

Multi-position



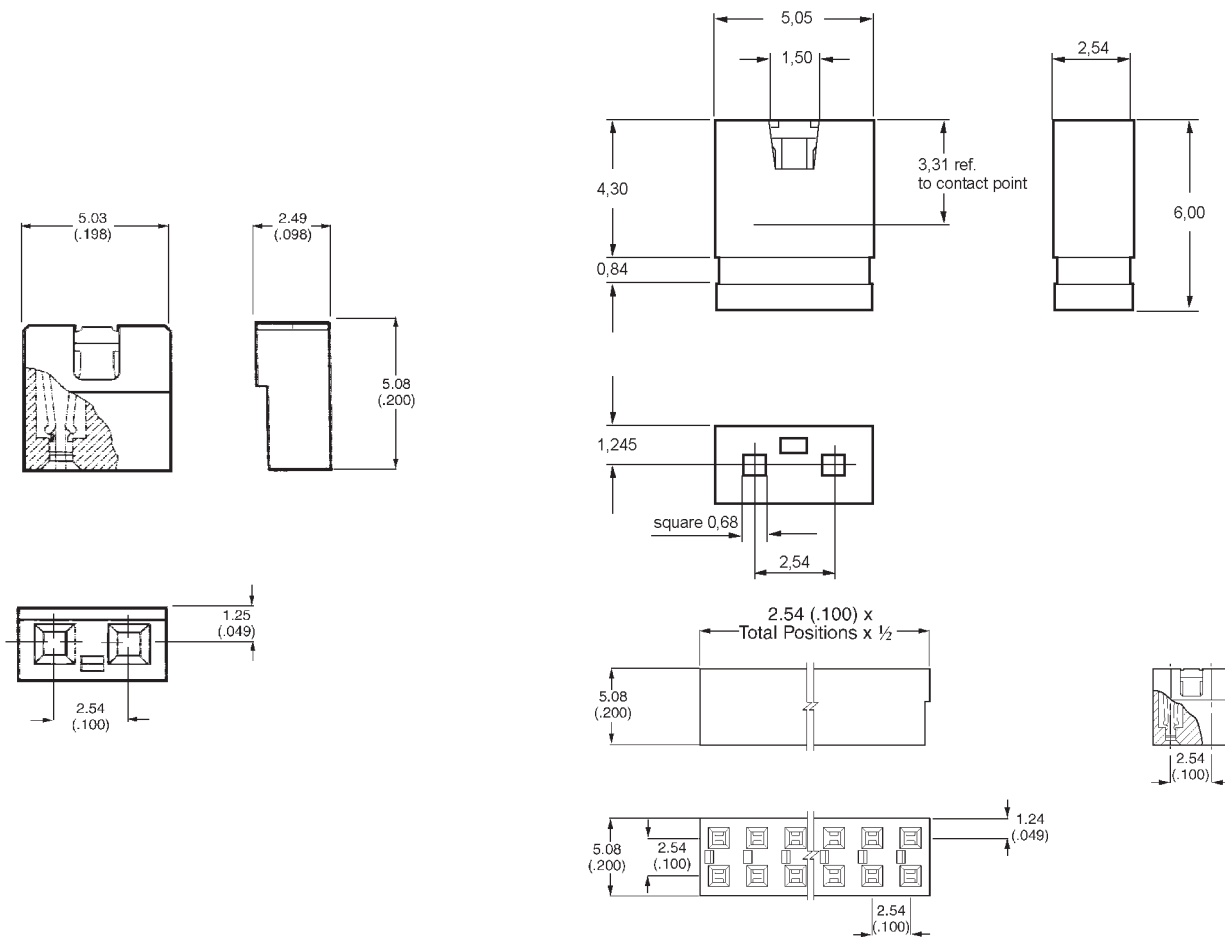
2 = 0.76 μm (30 μi) gold
3 = tin
1 to 20 positions

68786 - 202 - LF

CORE RANGE

68786 - 302LF
63429 - 202LF

PRIORITY PART



2.54 mm (.100")



- The Dubox™ contact has a pre-stressed, dual beam design to enable low insertion force
- 4-wall contact design for signal protection

TECHNICAL DATA

Physical

- Housing: Glass filled thermoplastic polyester, blue
- Flammability rating: UL 94 V-0
- Contact: Phosphor-bronze
- Plating: Gold or tin in accordance with IEC 603-8

Electrical Performance

- Current rating:
 - 3 A dc max. per individual contact
 - 2 A dc max. per contact for fully energized connector
- Insulation resistance: 1×10^5 M Ω min.
- Contact resistance: 15 m Ω max. initial, 20 m Ω max. after environmental tests
- Dielectric withstanding voltage: 1000 V rms

Mechanical Performance

- Mating cycles (durability): 200
- Insertion force per gold contact: 1.50 N (150 gf) max.
- Withdrawal force per gold contact: 0.30 N (30 gf) min.

Operating Temperature Range

- -65°C to +125°C

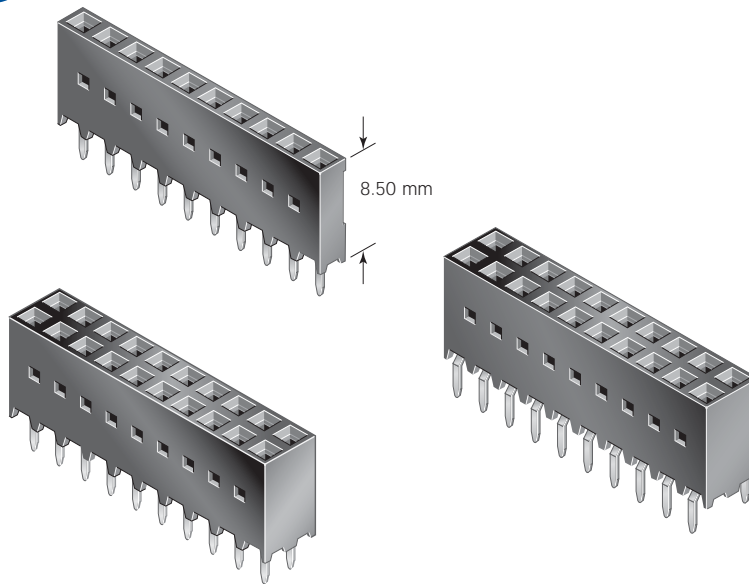
Packaging

- Plastic boxes or tubes

Reference Information

- File no. E66906
- File no. LR46923
- Product drawing: By 5-digit base part number
- Product specification: HE 13/14 and IEC 603-8

Specifications subject to change without notice.



MATING DATA

- BergStik® Unshrouded vertical headers 10, 12
- BergStik® Unshrouded right angle headers 16, 18
- BergStik® Unshrouded stacking headers 20
- BergStik® continuous Unshrouded headers 14

INSERTION DEPTH

- Top Entry: 3.86 mm min. to 6.81 mm max. [provides .381 mm wipe]
- Bottom Entry: 6.25 mm min. [provides .381 mm wipe] plus board thickness

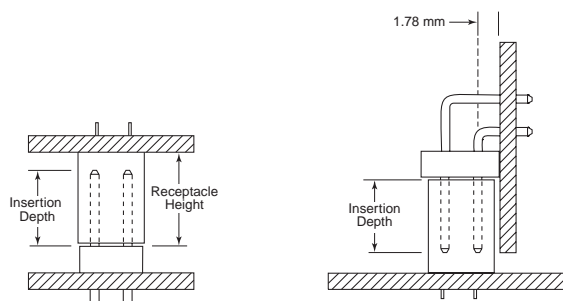
PROCESSING INFORMATION

- Compatible with wave soldering processes

RoHS INFORMATION

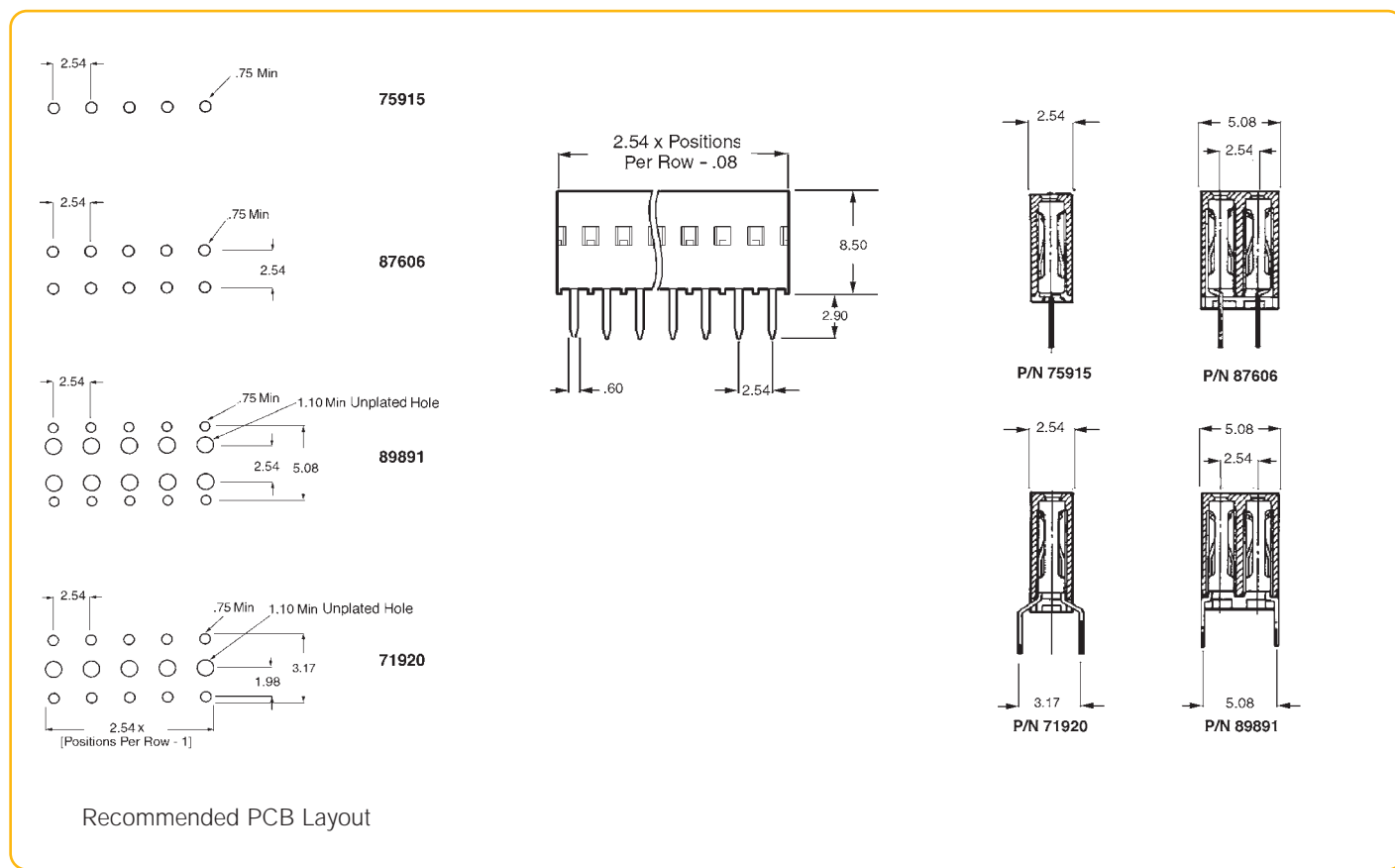
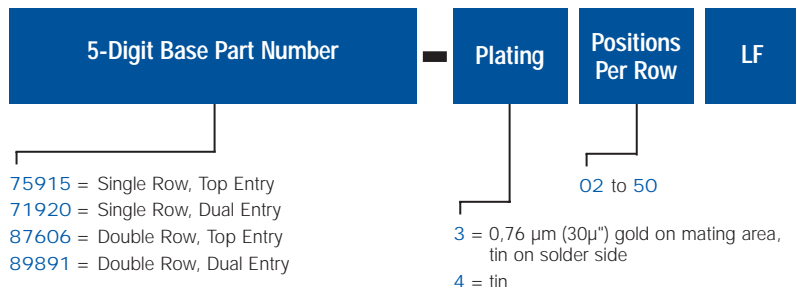
This product is RoHS compatible according to the European Union Directive 2002/95/IEC

TYPICAL APPLICATIONS



2.54 mm (.100")

PART NUMBER





- The Dubox™ contact has a pre-stressed, dual beam design to enable low insertion force
- 4-wall contact design for signal protection

TECHNICAL DATA

Physical

- Housing: Glass filled thermoplastic
- Flammability rating: UL 94 V-0
- Contact: Phosphor-bronze
- Plating: Gold or tin over 1.27 μm (50 μ") nickel

Electrical Performance

- Current rating:
 - 3 A dc max. per individual contact
 - 2 A dc max. per contact for fully energized connector
- Insulation resistance: 1×10^5 MΩ min.
- Contact resistance: 15 mΩ max. initial, 20 mΩ max. after environmental tests
- Dielectric withstanding voltage: 1000 V rms

Mechanical Performance

- Mating cycles (durability): 200
- Insertion force per gold contact: 1.50 N (150 gf) avg.
- Withdrawal force per gold contact: 0.30 N (30 gf) min.

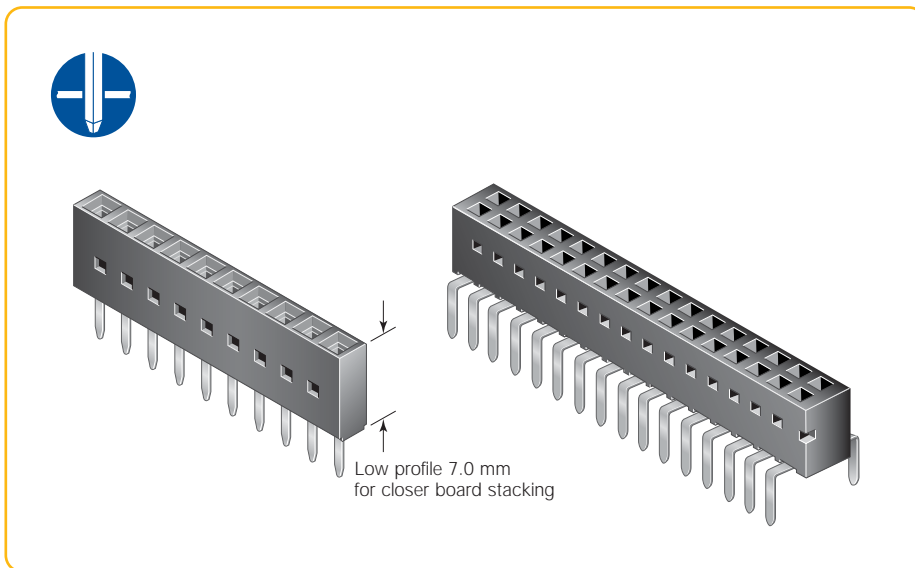
Operating Temperature Range

- -65°C to +125°C

Packaging

- Plastic boxes or tubes

TYPICAL APPLICATIONS



Reference Information

- File no. E66906
 - File no. LR46923
 - Product drawing: By 5-digit base part number
 - Product specification: BUS-12-055
- Specifications subject to change without notice.

MATING DATA

- BergStik® Unshrouded vertical headers 10, 12
- BergStik® Unshrouded right angle headers 16, 18
- BergStik® Unshrouded stacking headers 20
- BergStik® continuous Unshrouded headers 14

INSERTION DEPTH

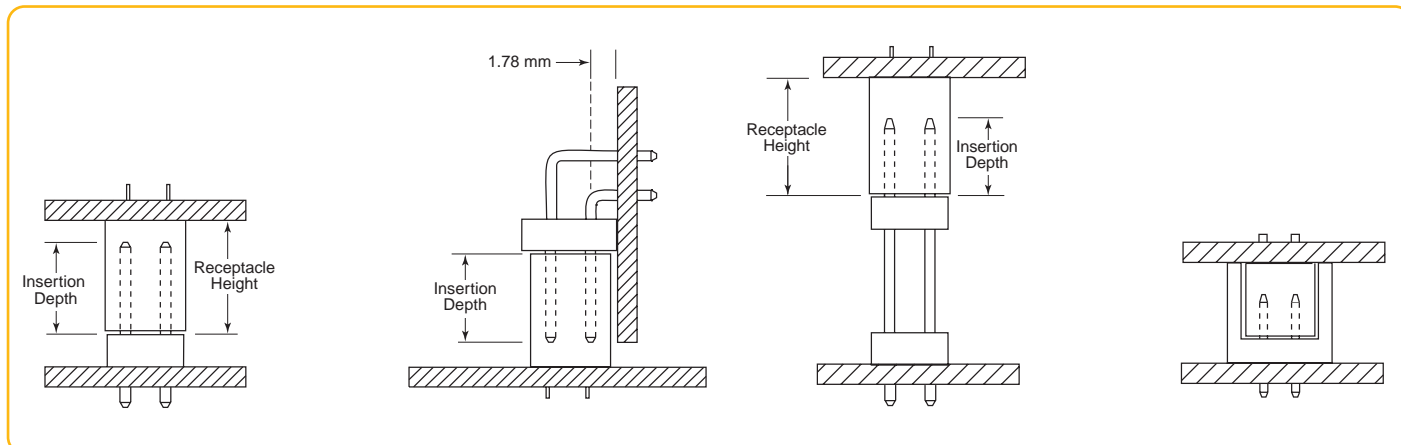
- Top Entry: 3.86 mm min. to 6.10 mm max. [provides .381 mm wipe]
- Bottom Entry: 5.08 mm min. [provides .381 mm wipe] plus board thickness

PROCESSING INFORMATION

- Compatible with wave soldering processes

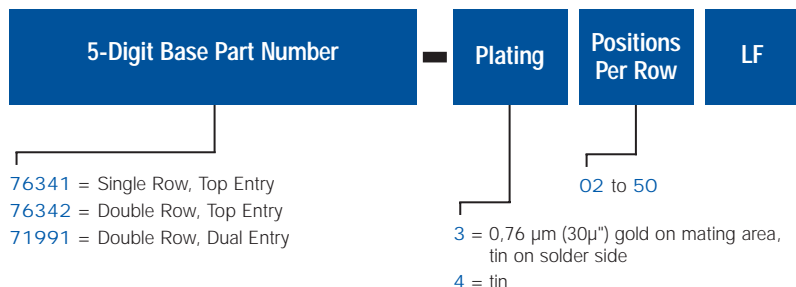
RoHS INFORMATION

This product is RoHs compatible according to the European Union Directive 2002/95/IEC



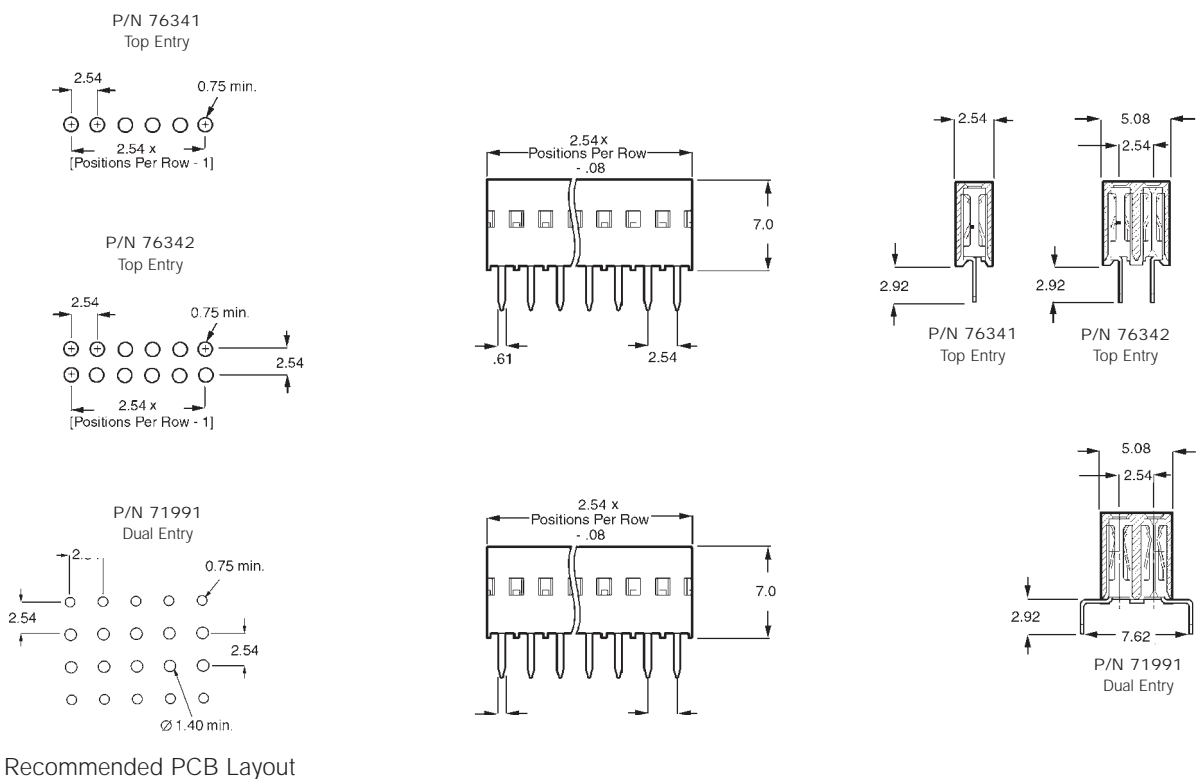
2.54 mm (.100")

PART NUMBER



71991 - 3XXLF
XX = 05 - 20

PRIORITY PART



Dimensions in mm

2.54 mm (.100")



- ▶ The Dubox™ contact has a pre-stressed, dual beam design to enable low insertion force
- ▶ Floating solder tails self-center on circuit pads and assure coplanarity
- ▶ 4-wall contact design for signal protection

TECHNICAL DATA

Physical

- ▶ Housing: High-temperature, grey thermoplastic
- ▶ Flammability rating: UL 94 V-0
- ▶ Contact: Phosphor-bronze
- ▶ Plating: Gold or tin over 1.27 μm (50 μ") nickel

Electrical Performance

- ▶ Current rating:
 - 3 A dc max. per individual contact
 - 2 A dc max. per contact for fully energized connector
- ▶ Insulation resistance: 1×10^5 MΩ min.
- ▶ Contact resistance: 15 mΩ max. initial, 20 mΩ max. after environmental tests
- ▶ Dielectric withstanding voltage: 1000 V rms

Mechanical Performance

- ▶ Mating cycles (durability): 200
- ▶ Insertion force per gold contact: 1.50 N (150 gf) avg.
- ▶ Withdrawal force per gold contact: 0.30 N (30 gf) min.

Operating Temperature Range

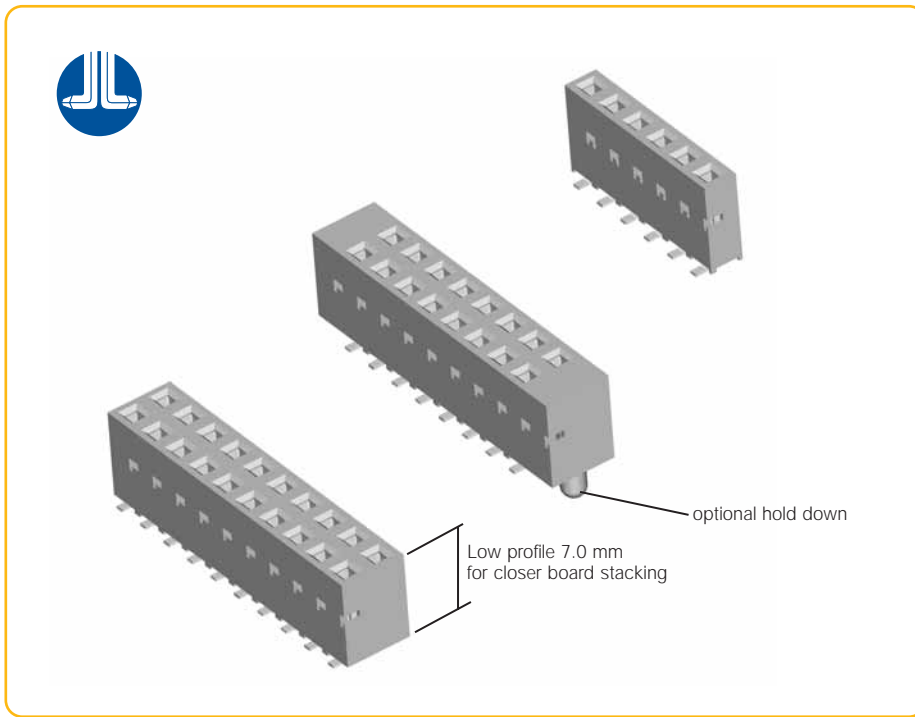
- ▶ -65°C to +125°C

Packaging

- ▶ Tubes, Tape on Reel or plastic boxes

Reference Information

- ▶ File no. E66906
 - ▶ File no. LR46923
 - ▶ Product drawing: By 5-digit base part number
 - ▶ Product specification: BUS-12-055
 - ▶ Tape and Reel packaging data : TA-856
- Specifications subject to change without notice.



MATING DATA

- ▶ BergStik® Unshrouded vertical headers 10, 12
- ▶ BergStik® Unshrouded right angle headers 16, 18
- ▶ BergStik® Unshrouded stacking headers 20
- ▶ BergStik® continuous Unshrouded headers 14

INSERTION DEPTH

- ▶ Top Entry: 3.86 mm min. to 6.10 mm max. [provides .381 mm wipe]
- ▶ Bottom Entry: 5.08 mm min. [provides .381 mm wipe] plus board thickness

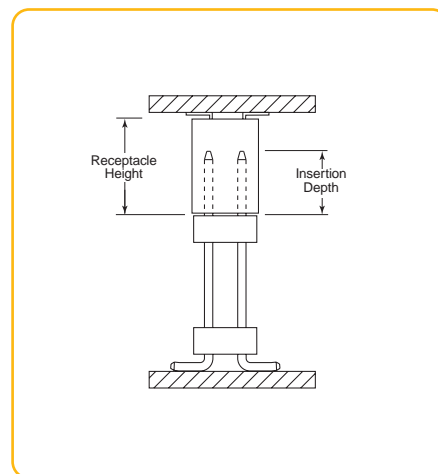
PROCESSING INFORMATION

- ▶ Compatible with wave, vapor-phase, and IR reflow soldering processes
- ▶ Recommended IR profile: TA-842

RoHs INFORMATION

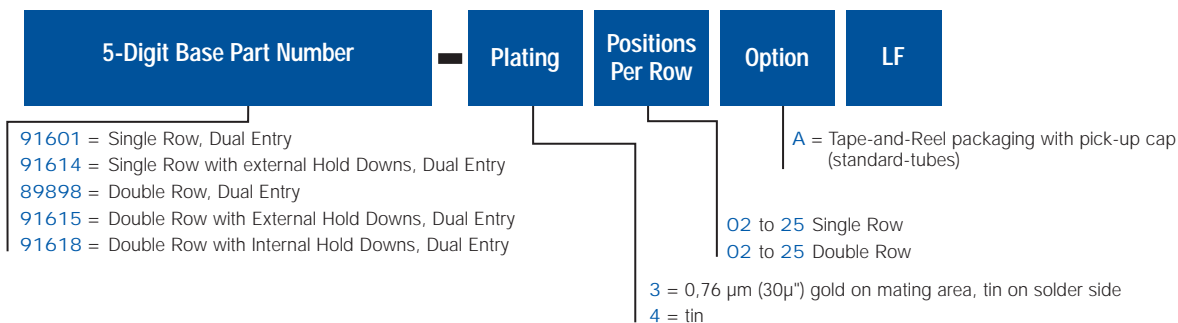
This product is RoHs compatible according to the European Union Directive 2002/95/IEC

TYPICAL APPLICATIONS



2.54 mm (.100")

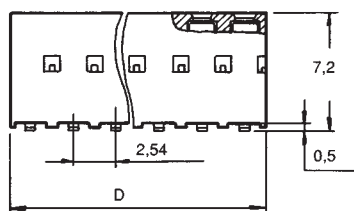
PART NUMBER



89898 - 3XXALF **CORE RANGE**
XX = 02, 03, 04, 05, 06, 08, 10

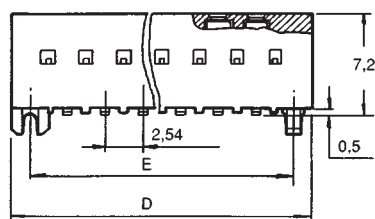
89898 - 3XXALF **PRIORITY PART**
XX = 11 - 20

Standard



$$D = (\text{no. of pos. per row} \times 2,54) - 0,08$$

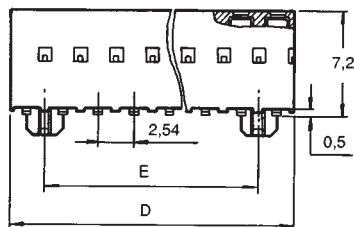
External Hold Downs



$$D = (\text{no. of pos. per row} \times 2,54) + 5$$

$$E = (\text{no. of pos. per row} \times 2,54) + 2,54$$

Internal Hold Downs

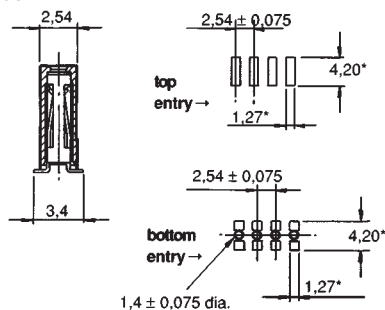


$$D = (\text{no. of pos. per row} \times 2,54) - 0,08$$

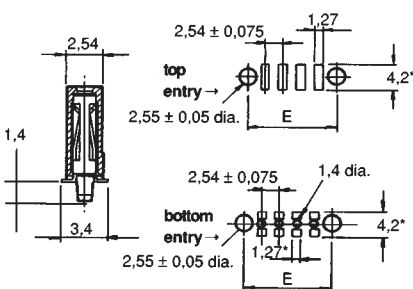
$$E = (\text{no. of pos. per row} \times 2,54) - 5,00$$

Single Row + Pad lay-outs

91601



91614



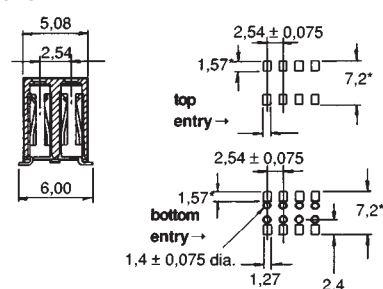
*Note: available as of 3 position versions

not available in single row

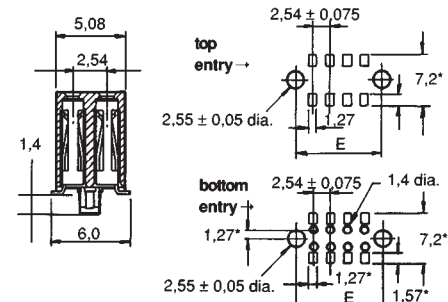
Note:
All dimensions marked with *
are minimum dimensions

Double Row + Pad lay-outs

89898

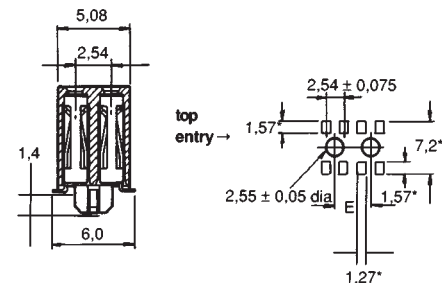


91615



*Note: available as of 3 position versions

91615



*Note: available as of 6 number of positions

Dimensions in mm

2.54 mm (.100")



- ▶ The Dubox™ contact has a pre-stressed, dual beam design to enable low insertion force
- ▶ Floating solder tails self-center on circuit pads and assure coplanarity
- ▶ 4-wall contact design for signal protection

TECHNICAL DATA

Physical

- ▶ Housing: Blue thermoplastic - Through hole
- ▶ High temperature grey thermoplastic - Surface mount
- ▶ Flammability rating: UL 94 V-0
- ▶ Contact: Phosphor-bronze
- ▶ Plating: Gold or tin over 1.27 µm (50 µ") nickel



Electrical Performance

- ▶ Current rating:
3 A dc max. per individual contact
2 A dc max. per contact for fully energized connector
- ▶ Insulation resistance: 1×10^5 MΩ min.
- ▶ Contact resistance: 15 mΩ max. initial, 20 mΩ max. after environmental tests
- ▶ Dielectric withstanding voltage: 1000 V

Mechanical Performance

- ▶ Mating cycles (durability): 200
- ▶ Insertion force per gold contact: 1.50 N (150 gf)
- ▶ Withdrawal force per gold contact: 0.30 N (30 gf)

Operating Temperature Range

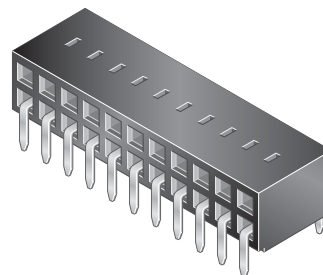
- ▶ -65°C to +125°C

Packaging

- ▶ Standard: Tubes
- ▶ Optional: Tape-and-reel

Reference Information

- ▶ File no. E66906
 - ▶ File no. LR46923
 - ▶ Product drawing: 71607, 71609, 89882, 89883
 - ▶ Product specification: HE 13/14 and IEC 603-8
 - ▶ Application specification: TA-842 for SMT
 - ▶ Tape and Reel packaging data : TA-856
- Specifications subject to change without notice.



MATING DATA

- ▶ BergStik® Unshrouded vertical headers 10, 12
- ▶ BergStik® Unshrouded right angle headers 16, 18
- ▶ BergStik® continuous Unshrouded headers 14

INSERTION DEPTH

- ▶ 5.00 mm min. to 7.50 mm max.
[provides .381 mm wipe]

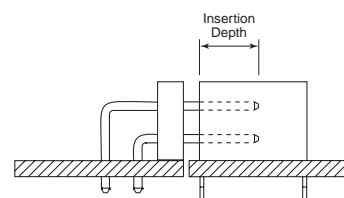
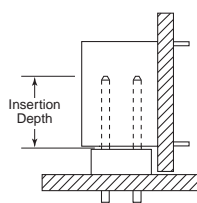
PROCESSING INFORMATION

- ▶ Series 89882, 89883: compatible with wave soldering processes
- ▶ Series 71607, 71609: compatible with wave, vapor-phase and IR reflow soldering processes

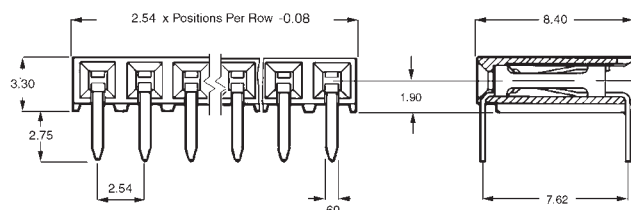
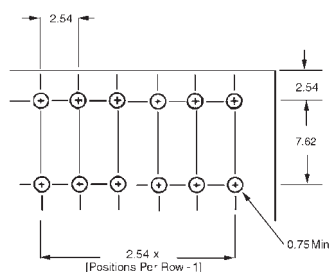
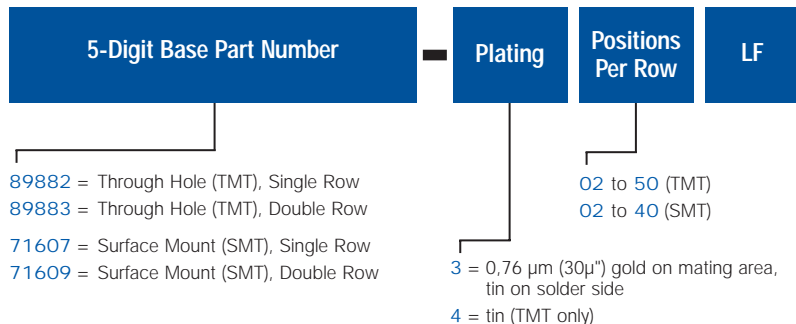
RoHs INFORMATION

This product is RoHs compatible according to the European Union Directive 2002/95/IEC

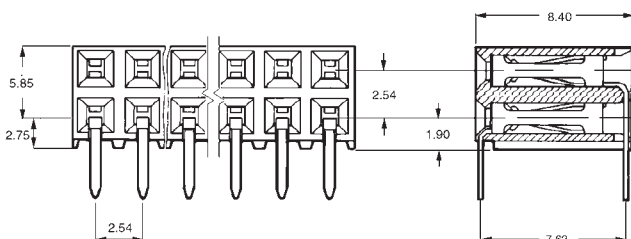
TYPICAL APPLICATIONS



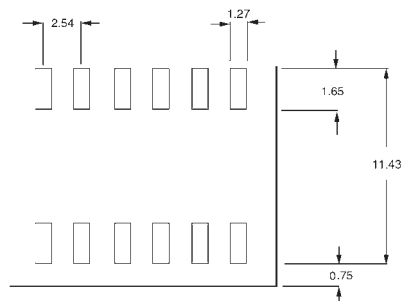
PART NUMBER



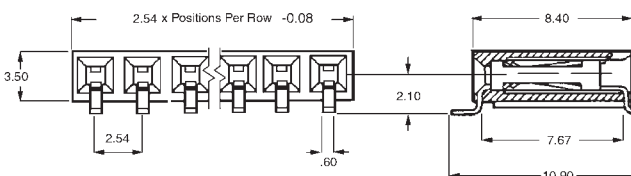
89882



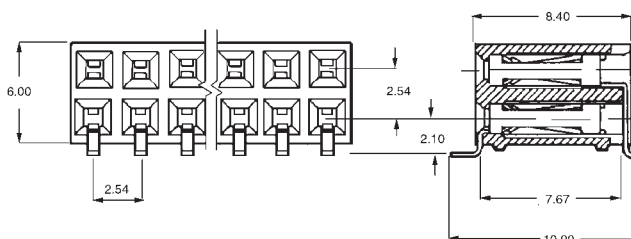
89883



Recommended PCB Layout



71607



71609

Dimensions in mm

2.54 mm (.100")



- For use with Dubox™ crimp-to-wire housings
- Stackable end-to-end
- Passive latching, anti-reverse and anti-miss-match when used with Dubox™ crimp-to-wire housings
- Selective plating

TECHNICAL DATA

Physical

- Housing: Glass filled thermoplastic polyester
- Housing color for series 76382, 76383: blue
- Housing color for series 76384, 76385: black
- Flammability rating: UL 94 V-0
- Contact: Phosphor-bronze
- Plating: Gold or tin over 1.27 µm (50µ") nickel

Electrical Performance

- Current rating: 3 A continuous
- Insulation resistance: 1×10^5 MΩ min.
- Dielectric withstanding voltage: 1000 V rms

Mechanical Performance

- Contact retention to housing: 20 N min.

Operating Temperature Range

- -40°C to +125°C

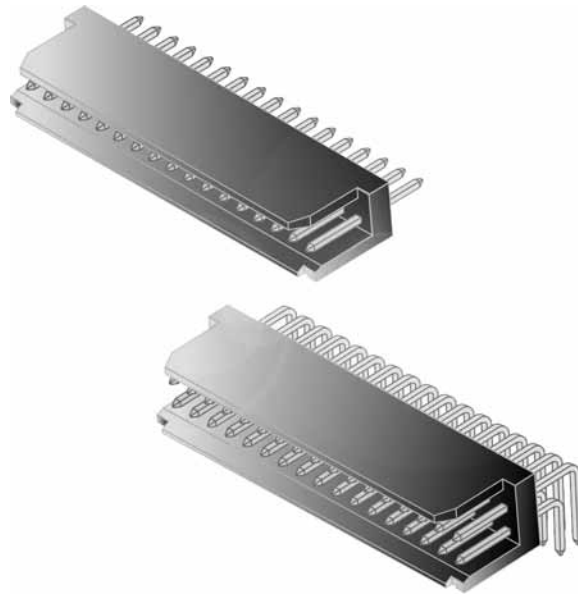
Packaging

- Tube

Reference Information

- File no. E66906
- File no. LR46923
- Product drawing: By 5-digit base part number
- Application specification: TA-531

Specifications subject to change without notice.



MATING DATA

- Dubox™ Crimp-to-wire contacts 34
- Dubox™ Crimp-to-wire housings 36

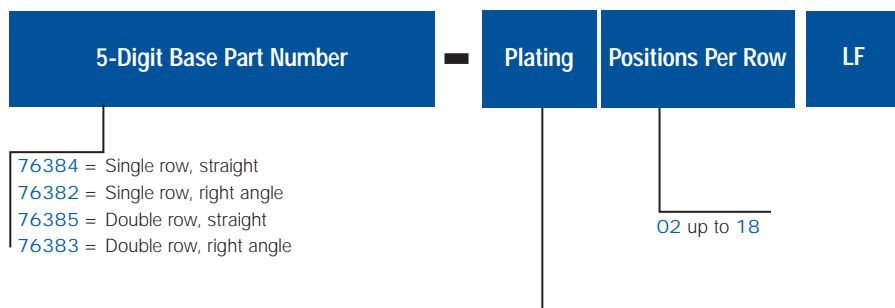
PROCESSING INFORMATION

Compatible with wave soldering processes

RoHs INFORMATION

This product is RoHs compatible according to the European Union Directive 2002/95/IEC

PART NUMBER



3 = 0.76 μm (30 μm) gold on mating area, tin on solder side
4 = tin

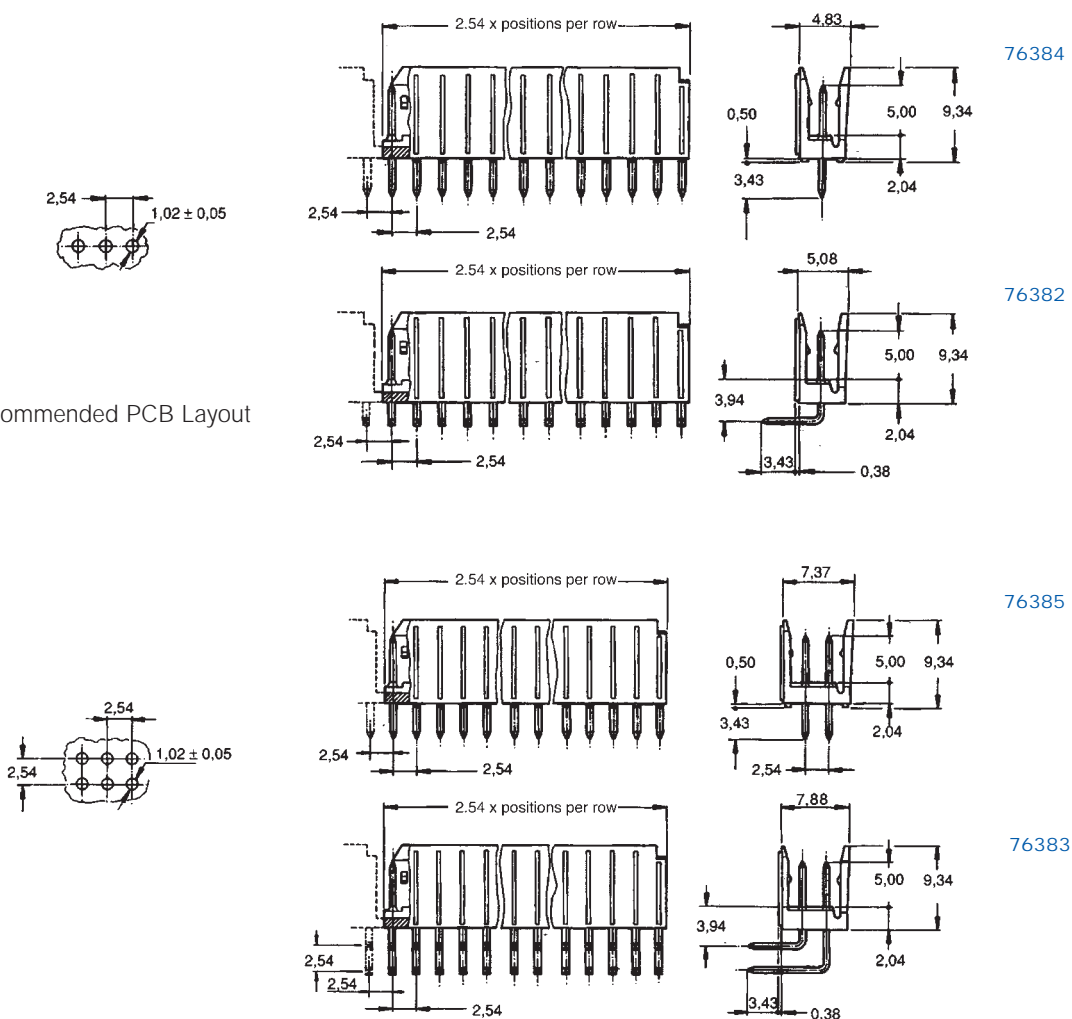
76384 - 3XXLF **CORE RANGE**
76385 - 3XXLF

XX = 02, 03, 04, 05, 06, 08, 10

76384 - 3XXLF **PRIORITY PART**

XX = 12 - 16

Recommended PCB Layout



Dimensions in mm

2.54 mm (.100")



- ▶ The Dubox™ contact has a pre-stressed, dual beam design to enable low insertion force.
- ▶ Mates with very short pins (5 mm)
- ▶ Universal crimp barrel accommodates wires from AWG 22-30
- ▶ Selective plating

TECHNICAL DATA

Physical

- ▶ Contact: phosphor bronze
- ▶ Plating: 0.76 μm (30μ") Gold over 1.27 μm (50 μ") nickel

Electrical Performance

- ▶ Current rating: 3 A continuous
- ▶ Contact resistance after environmental test: 15 mΩ max. – Contact
- ▶ Dielectric withstanding voltage: 1000 V rms

Mechanical Performance

- ▶ Mating cycles (durability): 200 – Gold
- ▶ Insertion force gold finish contact: 1.3 N
- ▶ Withdrawal force (min) gold finish contact: 0.3 N

Operating Temperature Range

- ▶ -65°C to +125°C

Packaging

- ▶ Reels
- ▶ Boxes - Loose piece

Reference Information

- ▶ File no. E66906
- ▶ File no. LR46923
- ▶ Product drawing: By 5-digit base part number
- ▶ Product specification: BUS-12-055
- ▶ Application specification: TA-317, TA-340

Specifications subject to change without notice.

MATING DATA

- ▶ BergStik® unshrouded straight headers 10, 12
- ▶ BergStik® unshrouded right angle headers 16, 18
- ▶ Dubox™ shrouded vert./ra. headers 32
- ▶ BergStik® continuous unshrouded headers 14



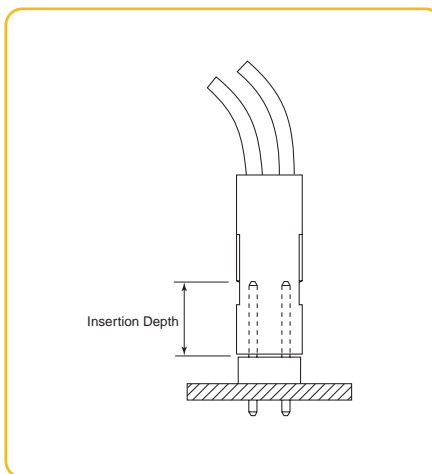
INSERTION DEPTH

- ▶ Discrete Wire: 3.56 mm min. to 5.59 mm max. [provides .381 mm wipe]
- ▶ Crimp-to-Wire Housing: 5.08 mm min. to 6.22 mm max. [provides .381 mm wipe in housing]

RoHS INFORMATION

This product is RoHS compatible according to the European Union Directive 2002/95/IEC

TYPICAL APPLICATIONS



PART NUMBER

Part numbers / Contacts on Reel

Wire size	insulation O.D.	Selective Gold Plated	Tin plated	Packaging
22-30	0.90 - 1.50	76347-301LF	76347-401LF	15.000/reel
22-30	0.90 - 1.50	76347-302 LF•	76347-402LF•	15.000/reel
22-30	0.90 - 1.50	76347-303 LF	76347-403LF	500/reel
20-22	1.10 - 1.60	76347-311LF	76347-411LF	15.000/reel
20-22	1.10 - 1.60	76347-312 LF•	76347-412LF•	15.000/reel

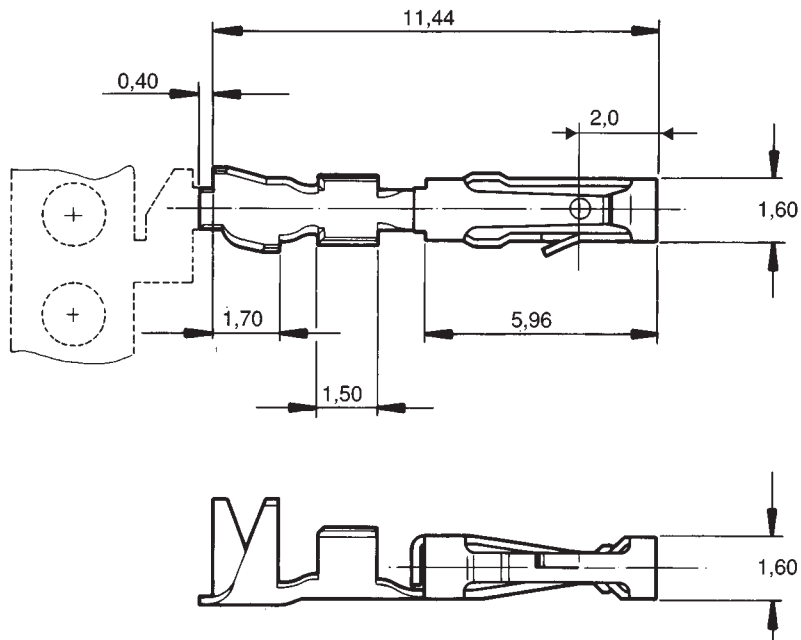
Part numbers / Contacts loose Piece

Wire size	insulation O.D.	Selective Gold Plated	Tin plated	Packaging
22-30	0.90 - 1.50	76357-301LF	76357-401LF	1000/box

Notes: • = reeled for application machine with left-to-right feeding

76347 - 301LF **CORE RANGE**

76347 - 3XXLF **PRIORITY PART**
XX = 02, 03, 11, 12



Contacts to be used with housing = 65239-xxx / 65240-xxx

Wire strip length = 3,00 ± 0,25 mm

Mating pin size = 0,62 mm square

Mating pin recommended length = 5,00 mm min.

Dimensions in mm

2.54 mm (.100")



- For use with Dubox™ crimp-to-wire contacts
- Stackable end-to-end
- Passive latching, anti-reverse and anti-miss-match when used with Dubox™ shrouded headers
- Contacts removable for easy repairability

TECHNICAL DATA

Physical

- Housing: Glass filled thermoplastic polyester, blue
- Flammability rating: UL 94 V-0

Electrical Performance

- Insulation resistance: $1 \times 10^5 \text{ M}\Omega \text{ min}$
- Dielectric withstanding voltage: 1000 V rms

Operating Temperature Range

- 65°C to +125°C

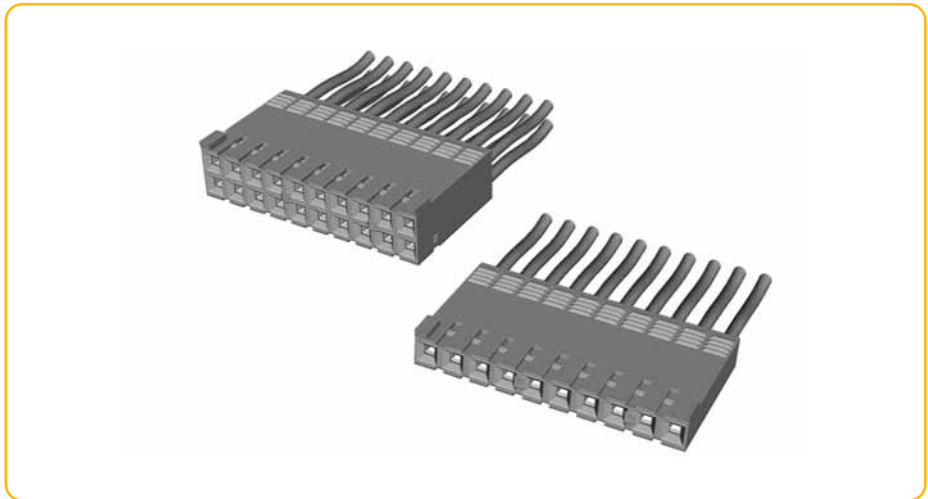
Packaging

- Bulk

Reference Information

- File no. E66906
- File no. LR46923
- Product drawing: By 5-digit base part number
- Application specification: TA-317, TA-340

Specifications subject to change without notice.



MATING DATA

- BergStik® unshrouded vertical headers 10, 12
- BergStik® unshrouded right angle headers 16, 18
- Dubox™ shrouded headers 32

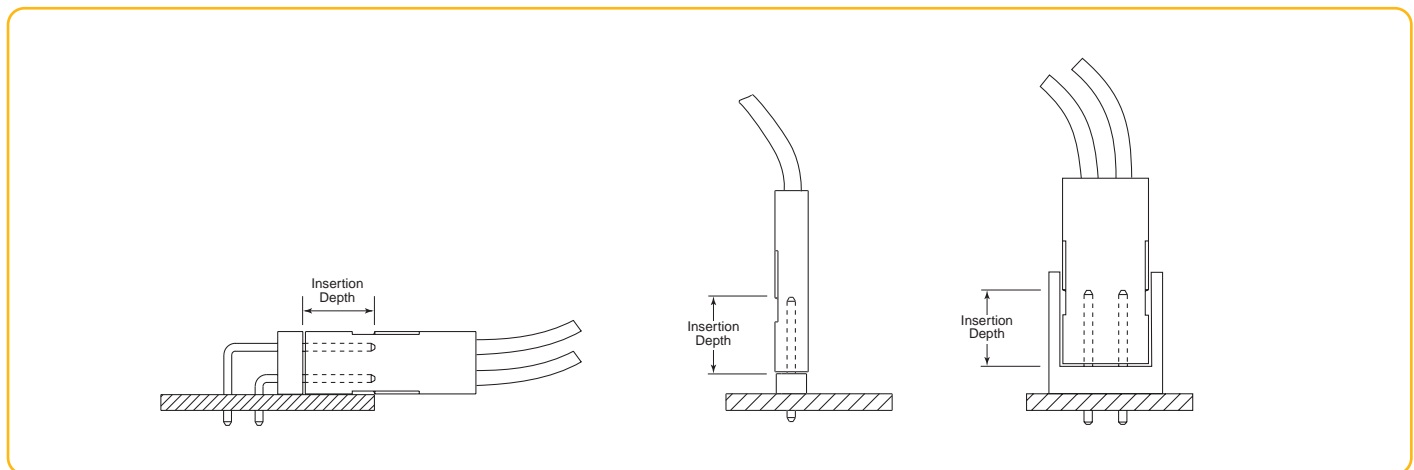
INSERTION DEPTH

- 4.0 mm min. to 6.0 mm max.

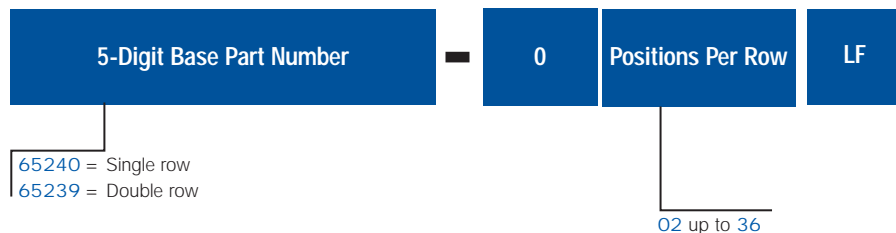
RoHS INFORMATION

This product is RoHS compatible according to the European Union Directive 2002/95/IEC

TYPICAL APPLICATIONS



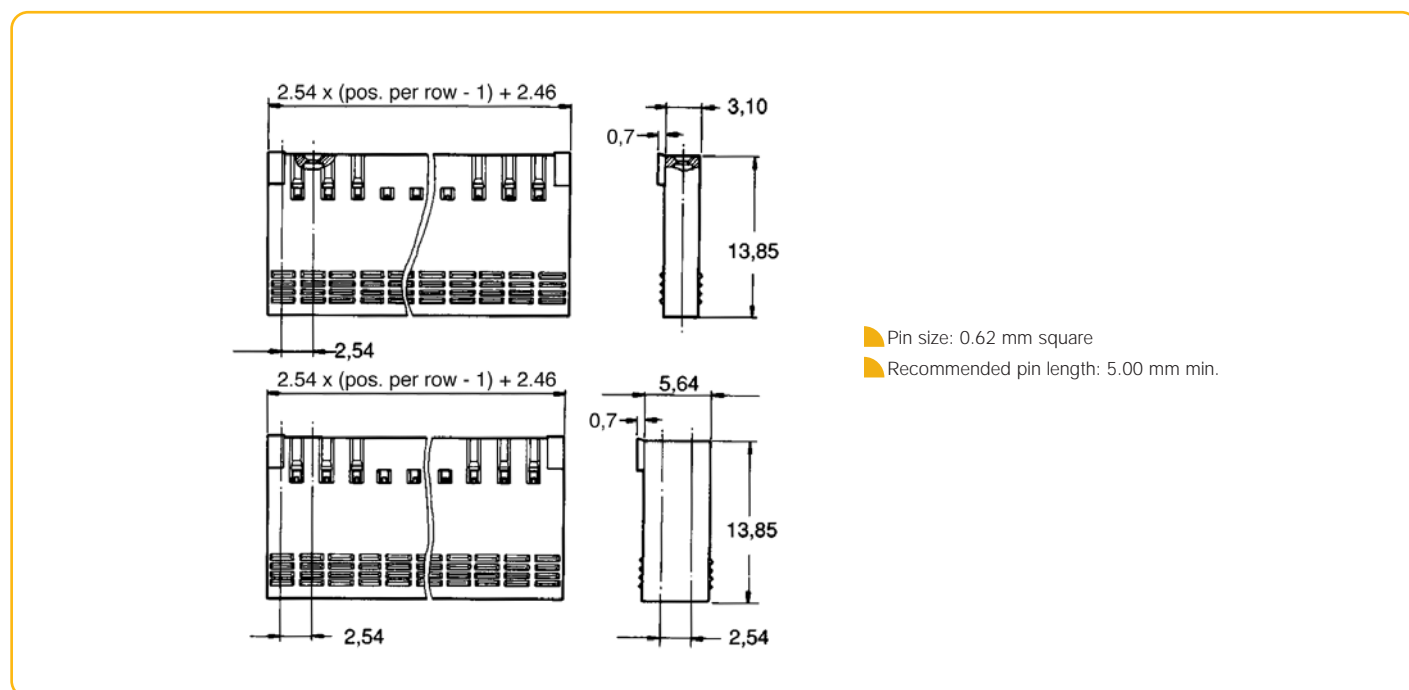
PART NUMBER



65239 - 0XXLF **CORE RANGE**
XX = 02, 03, 04, 05, 06, 08, 10

65240 - 0XXLF
XX = 04, 06, 08, 10, 12, 16, 20

65239 - 0XXLF **PRIORITY PART**
XX = 02 - 18



Dimensions in mm

2.54 mm (.100")



- ▶ Housing uses our high reliability contact
- ▶ High temperature headers
- ▶ Passive latching system

TECHNICAL DATA

Physical

- ▶ Housing: Black thermoplastic
- ▶ Flammability rating: UL 94 V-0
- ▶ Contact: Phosphor-bronze
- ▶ Plating: Gold or tin-lead over 1.27 µm (50 µ") nickel

Electrical Performance

- ▶ Current rating: 3 A continuous
- ▶ Insulation resistance: 100000 mΩ min.
- ▶ Dielectric withstanding voltage: 1000 V

Mechanical Performance

- ▶ Contact retention to housing: 17.76 N min.



Operating Temperature Range

- ▶ -40°C to +95°C

Packaging

- ▶ Bags

Reference Information

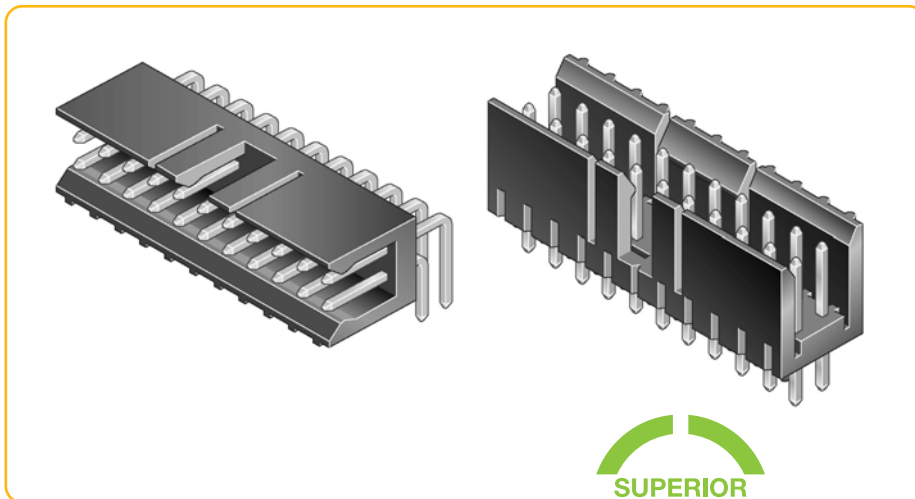
- ▶  File no. E66906
 - ▶  File no. LR46923
 - ▶ Product drawing: By 5-digit base part number
 - ▶ Product specification: BUS-12-067
BUS-12-075
 - ▶ Application specification: TA-531
- Specifications subject to change without notice.

MATING DATA

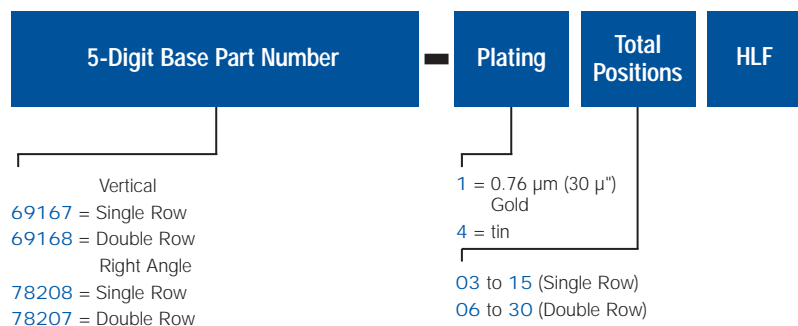
- ▶ PV™ Crimp-to-wire contact 40
- ▶ PV™ crimp-to-wire housings 42

PROCESSING INFORMATION

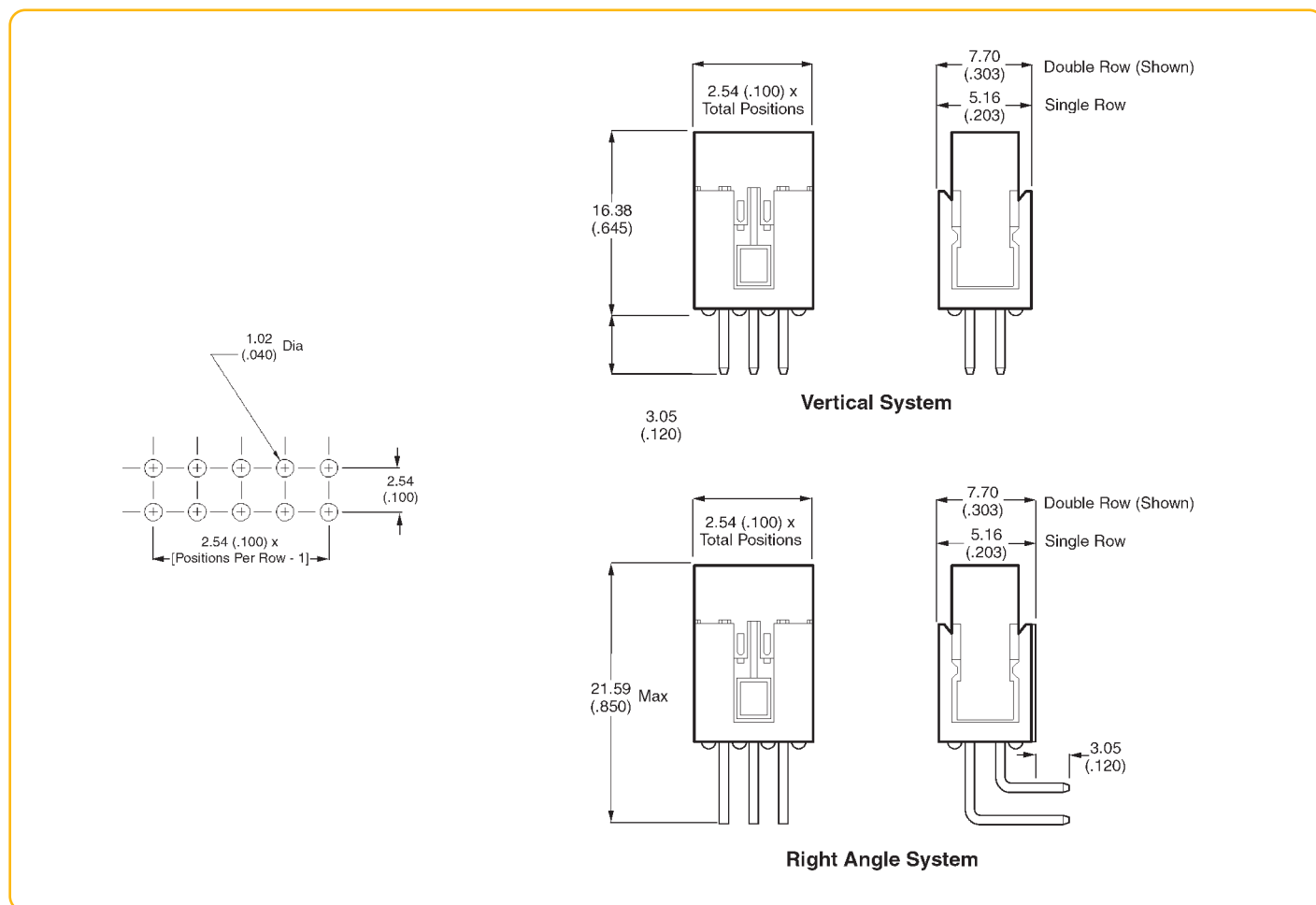
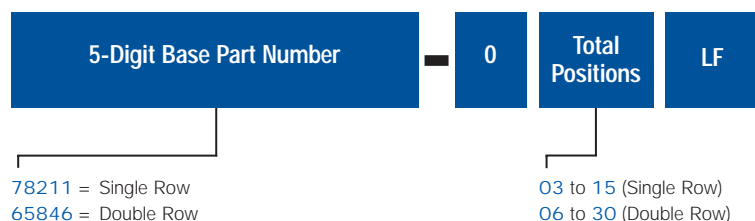
This product is RoHS compatible according to the European Union Directive 2002/95/IEC



PART NUMBER



Housings



2.54 mm (.100")



- High reliability contacts for shock and vibration applications
- Three spring thickness options meet application specific insertion, withdrawal, and normal force requirements
- Leaf spring design provides constant retention force after repeated cycles

TECHNICAL DATA

Physical

- Contact: Brass body with beryllium-copper spring
- Pin: Brass
- Plating: Gold or tin over 1.27 μm (50 μin) nickel

Electrical Performance

- Current rating: 3 A continuous depending on wire size
- Insulation resistance: 5000 $\text{m}\Omega$ min.
- Contact resistance after environmental test: 15 $\text{m}\Omega$ max. - Contact
- Dielectric withstanding voltage: 1000 V

Mechanical Performance

- Mating cycles (durability): 1000 - Gold
- Insertion force per gold contact:
 - 2.35 N (240 gf) - Standard spring
 - 4.41 N (450 gf) - High spring
 - 10.79 N (1100 gf) - Ultra high spring

Operating Temperature Range

- 65°C to +125°C

Packaging

- Reels
- Boxes - Loose piece

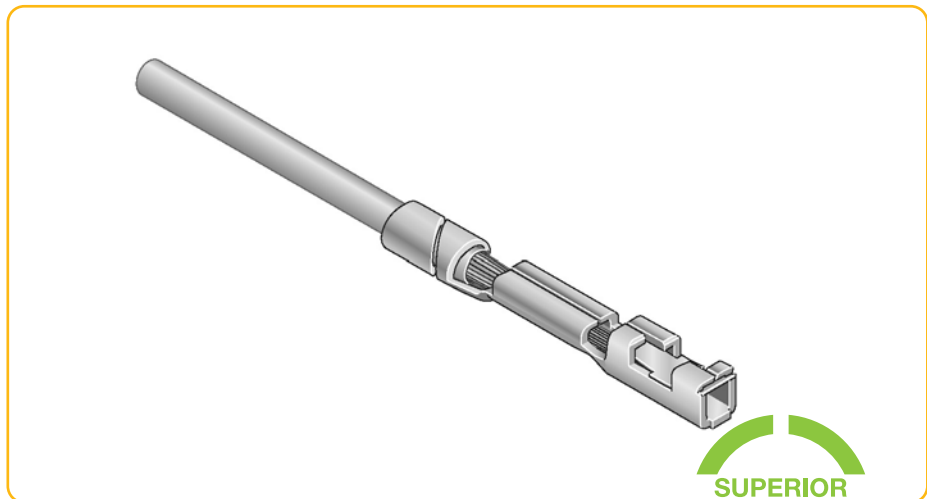
Reference Information

- File no. E66906
- File no. LR46923
- Product drawing: By 5-digit base part number
- Product specification: BUS-12-067 Contact
- Application specification: TA-75, TA-146 - Contact

Specifications subject to change without notice.

MATING DATA

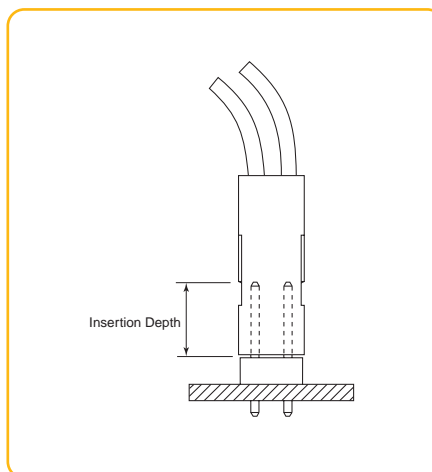
- Continuous unshrouded headers 14
- Unshrouded vertical headers 10, 12
- Unshrouded right angle headers 16



INSERTION DEPTH

- Discrete Wire: 3.56 mm (.140") min. to 5.59 mm (.220") max.
[provides .381 mm (.015") wiper]
- Crimp-to-Wire Housing: 5.08 mm (.200") min. to 6.22 mm (.245") max.
[provides .381 mm (.015") wiper in housing]

TYPICAL APPLICATIONS



PART NUMBER



HOW TO SELECT THE RIGHT CONTACT

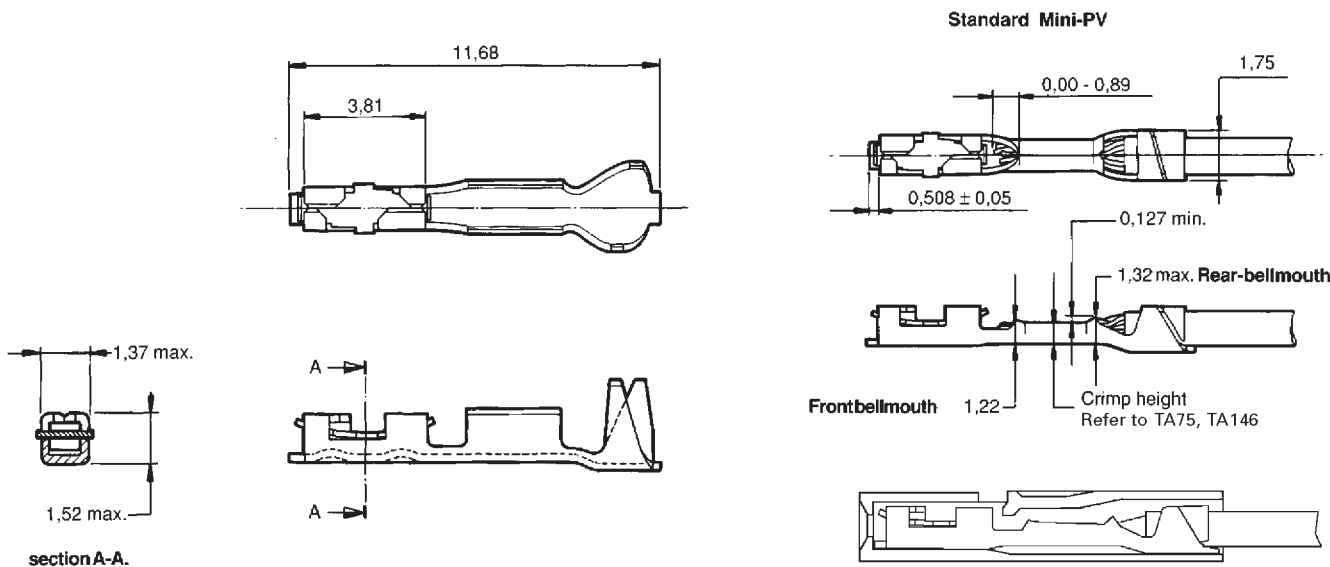
Step 1 Select Application

Step 2 Select Spring Force

Step 3 Select Wire Size

1		2
Application		Spring Force
Housing		
40-72	Contacts Per Housing	Standard
10-50	Contacts Per Housing	High
2-20	Contacts Per Housing	Ultra High
Discrete Contact		Ultra High

Wire Size (AWG)	Application Spring Force	Part Number
18, 20 or two 22 or two 24	Standard	48231-000
	High	48047-000
	Ultra High	48052-000
22, 24, 26 or two 26 or two 28	Standard	48049-000
	High	48046-000
	Ultra High	48051-000
28, 30, 32 or two 30 or two 32	Standard	48048-000
	High	48045-000
	Ultra High	48050-000
32, 34, 36	Standard	75543-015
	High	75543-013
	Ultra High	75543-017



2.54 mm (.100")



- Lowest profile housing in the industry
- Designed for use with our high reliability
- PV™ Contact

TECHNICAL DATA

Physical

- Housing: Black thermoplastic
- Flammability rating: UL 94 V-0

Electrical Performance

- Insulation resistance: 100,000 MΩ min
- Dielectric withstanding voltage: 1000 V min.

Mechanical Performance

- Contact retention to housing: 17.76 N min.

Operating Temperature Range

- 40°C to +105°C

Packaging

- Bags

Reference Information

UL File no. E66906

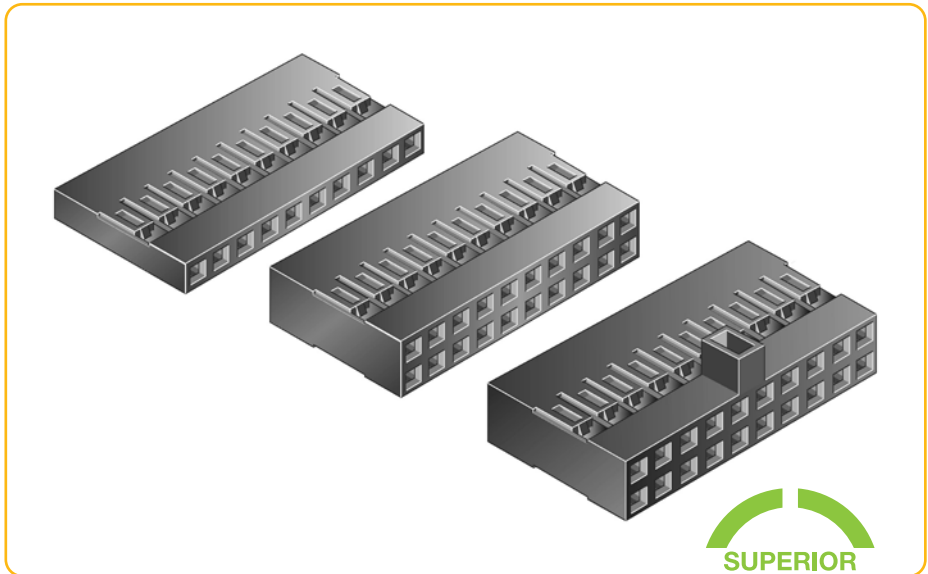
CS File no. LR46923

Product drawing: By 5-digit base part number

Product specification: BUS-12-067

Application specification: TA-531

Specifications subject to change without notice.



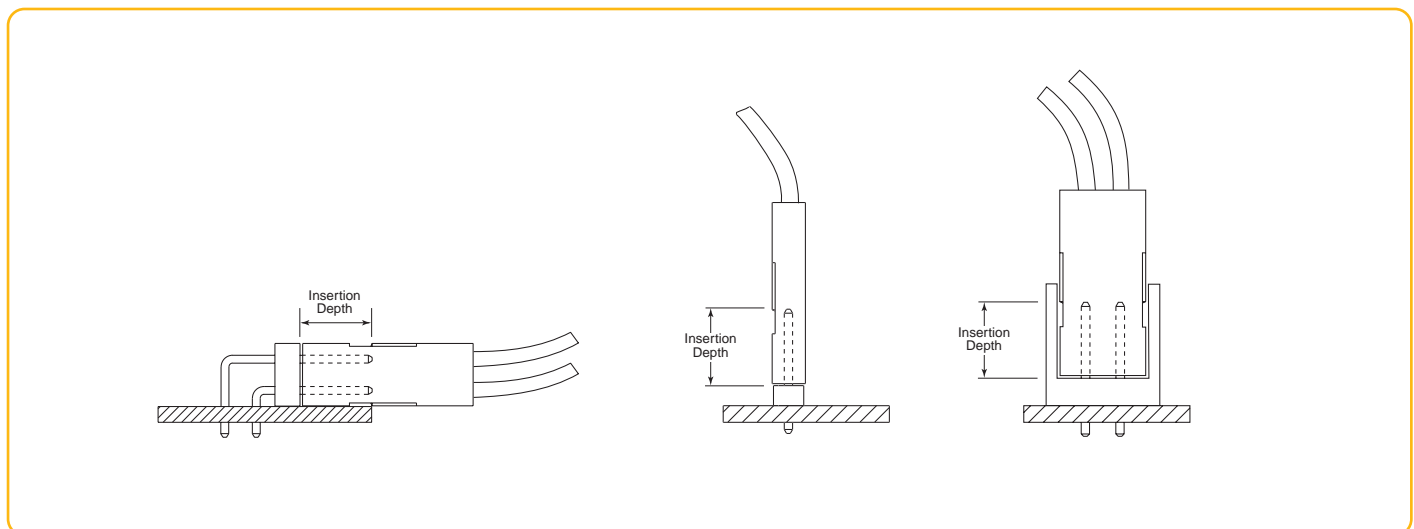
MATING DATA

- Continuous unshrouded headers 14
- Unshrouded vertical headers 10, 12
- Unshrouded right angle headers 16

INSERTION DEPTH

- 5.08 mm (.200") min. to 6.22 mm (.245") max. [provides .381 mm (.015") wipe in housing]

TYPICAL APPLICATIONS



PART NUMBER

5-Digit Base Part Number

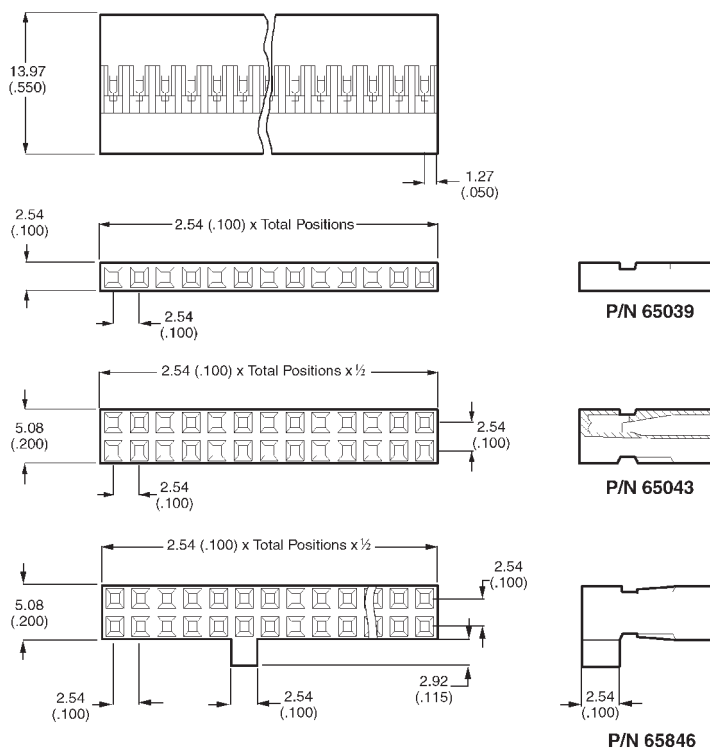
3-Digit Dash Number

LF

- 65039 = Single Row
- 78211 = Single Row with Center Key
- 65043 = Double Row
- 65846 = Double Row with Center Key

Total Positions	Single Row		Total Positions	Double Row	
	65039	78211		65043	65846
1	-036		4	-035	-014
2	-035		6	-034	-015
3	-034	-003	8	-033	-016
4	-033	-004	10	-032	-010
5	-032	-005	12	-031	-017
6	-031	-006	14	-030	-007
7	-030	-007	16	-029	-011
8	-029	-008	18	-028	-008
9	-028	-009	20	-027	-006
10	-027	-010	22	-026	-018
11	-026	-011	24	-025	-001
12	-025	-012	26	-024	-019
13	-024	-013	28	-023	-020
14	-023	-014	30	-022	-002
15	-022	-015	32	-021	-021
16	-021		34	-020	-022
17	-020		36	-019	-023
18	-019		38	-018	-003

Total Positions	Single Row		Total Positions	Double Row	
	65039	78211		65043	65846
19	-018		40	-017	-024
20	-017		42	-016	-025
21	-016		44	-015	-004
22	-015		46	-014	-026
23	-014		48	-013	-027
24	-013		50	-012	-012
25	-012		52	-011	-028
26	-011		54	-010	-005
27	-010		56	-009	-029
28	-009		58	-008	-030
29	-008		60	-007	-013
30	-007		62	-006	-031
31	-006		64	-005	-009
32	-005		66	-004	-032
33	-004		68	-003	-033
34	-003		70	-002	-034
35	-002		72	-001	-035
36	-001				



2.54 mm (.100")



- Recessed pins assure proper alignment and eliminate damage during mating
- End windows for latching with IDC receptacle

TECHNICAL DATA

Physical

- Housing: Glass filled, thermoplastic polyester, blue
- Flammability rating: UL 94 V-0
- Pin: Phosphor-bronze
- Plating: Gold or tin over 1.27 µm (50µ") nickel

Electrical Performance

- Current rating: 3 A continuous
- Insulation resistance: 10,000 MΩ min
- Dielectric withstanding voltage: 500 V min.

Mechanical Performance

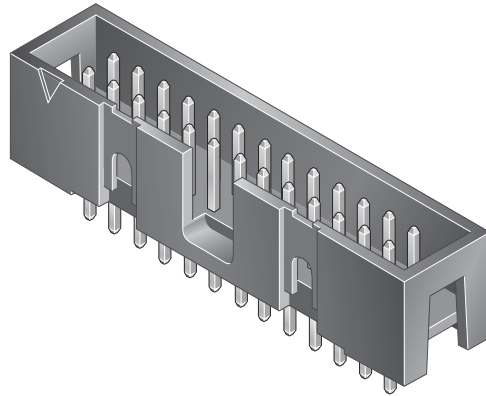
- Pin retention to housing: 20 N min.

Operating Temperature Range

- 65°C to +125°C

Packaging

- Tubes



Reference Information

File no. E66906

File no. LR46923

Product drawing: By 5-digit base part number

Product specification: BUS-12-082

Specifications subject to change without notice.

MATING DATA

- Quickie™ IDC receptacles 50

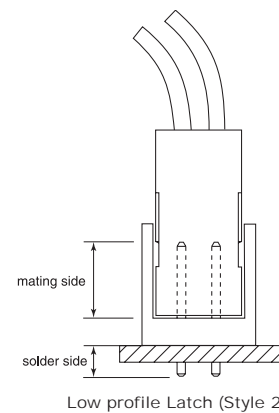
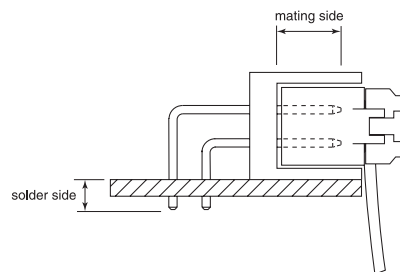
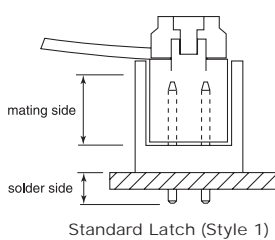
PROCESSING INFORMATION

Compatible with wave soldering processes

RoHs INFORMATION

This product is RoHs compatible according to the European Union Directive 2002/95/IEC

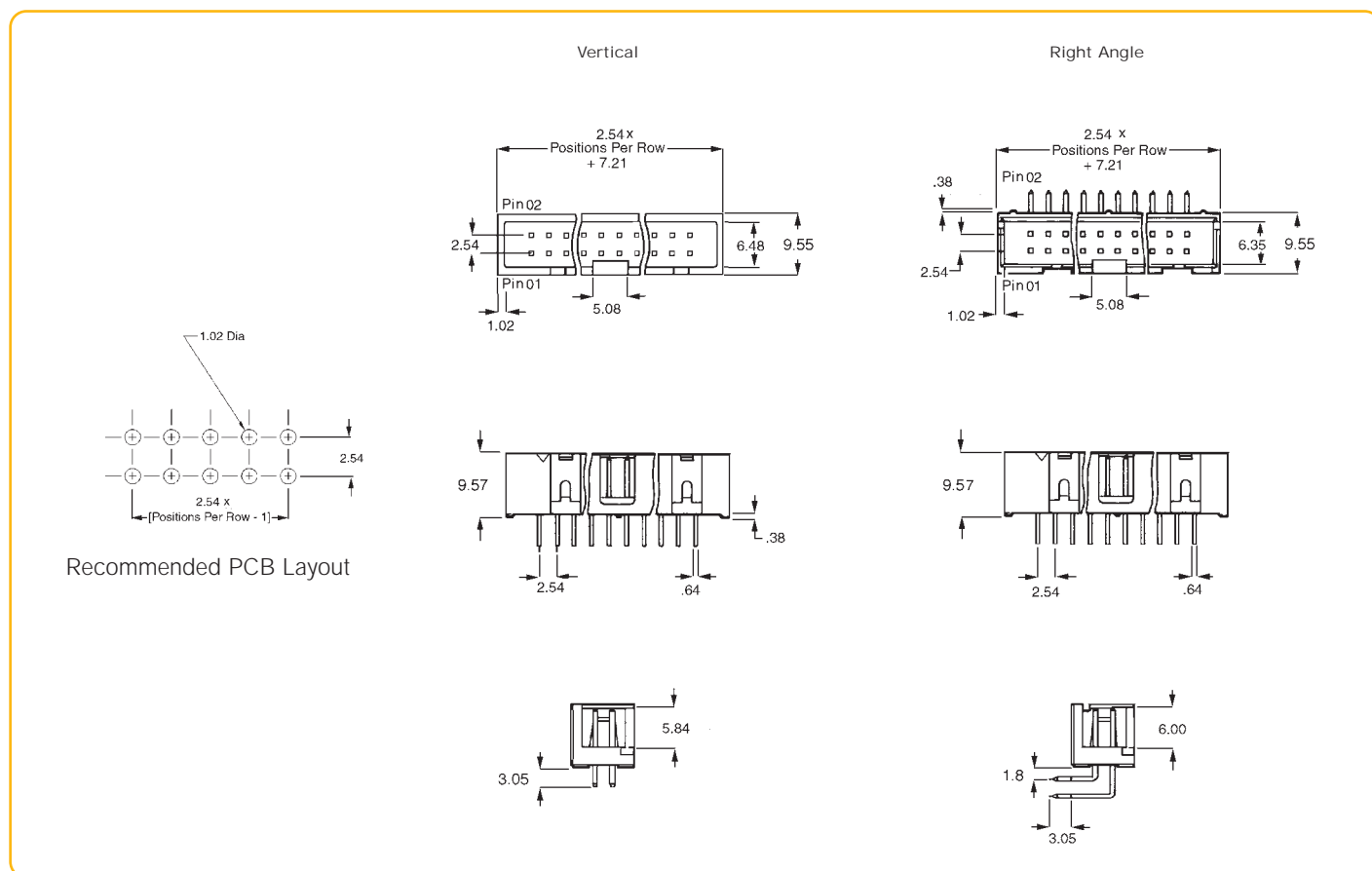
LATCHING STYLES



2.54 mm (.100")

PART NUMBER

5-Digit Base Part Number	Plating	Total Positions	LF
Through mount 75869 = Vertical 75867 = Right angle		30 = 4 pos. 31 = 6 pos. 32 = 8 pos. 01 = 10 pos. 02 = 14 pos. 03 = 16 pos. 04 = 20 pos. 05 = 26 pos. 06 = 34 pos. 07 = 40 pos. 08 = 50 pos. 09 = 60 pos. 10 = 64 pos.	
1 = 0.76 μm (30μ") gold on mating area, tin on solder side 2 = tin 3 = 0.38 μm (15μ") gold on mating area, tin on solder side			



Dimensions in mm

2.54 mm (.100")



- High temperature housing
- Compatible with IR reflow soldering processes
- Tape-and-Reel packaging for automatic pick-and-place



TECHNICAL DATA

Physical

- Housing: Glass filled, high temperature thermoplastic polyester, black
- Flammability rating: UL 94 V-0
- Pin: Phosphor-bronze
- Plating: Gold or tin over 1.27 µm (50µ") nickel

Electrical Performance

- Current rating: 3 A continuous
- Insulation resistance: 10,000 MΩ min.
- Dielectric withstanding voltage: 500 V rms

Mechanical Performance

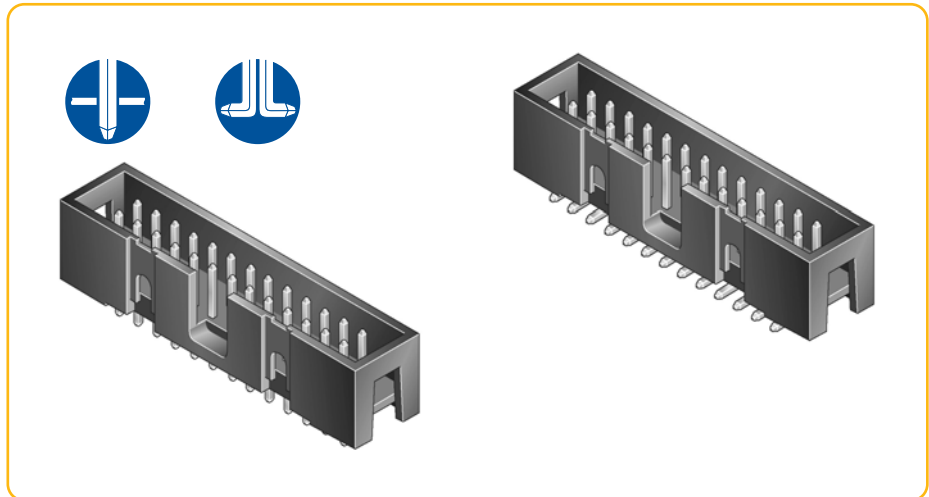
- Pin retention to housing: 20 N min.

Operating Temperature Range

- 65°C to +125°C

Packaging

- SMT: Tape-and-reel with pick-up cap
- PIP: Tube with pick-up cap



Reference Information

- File no. E66906
 - File no. LR46923
 - Product drawing: By 5-digit base part number
 - Product specification: BUS-12-055
- Specifications subject to change without notice.

MATING DATA

- Quickie™ IDC receptacles 50

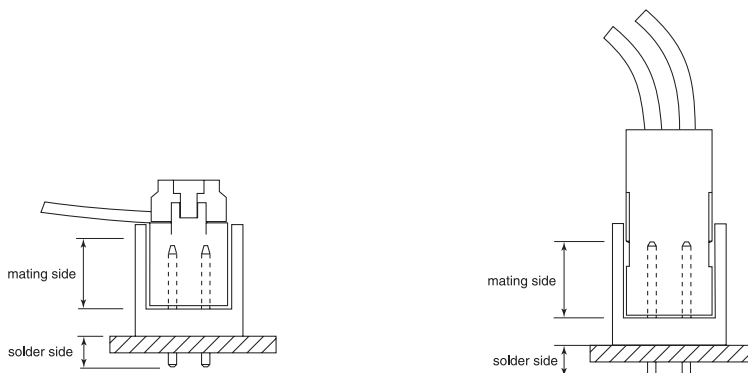
PROCESSING INFORMATION

Compatible with wave, vapor-phase, and IR reflow soldering processes

RoHs INFORMATION

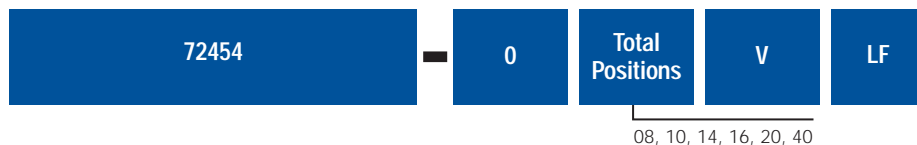
This product is RoHs compatible according to the European Union Directive 2002/95/IEC

TYPICAL APPLICATIONS

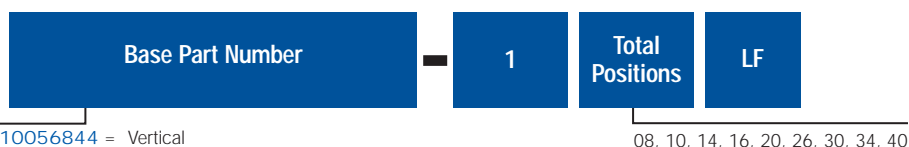


PART NUMBER

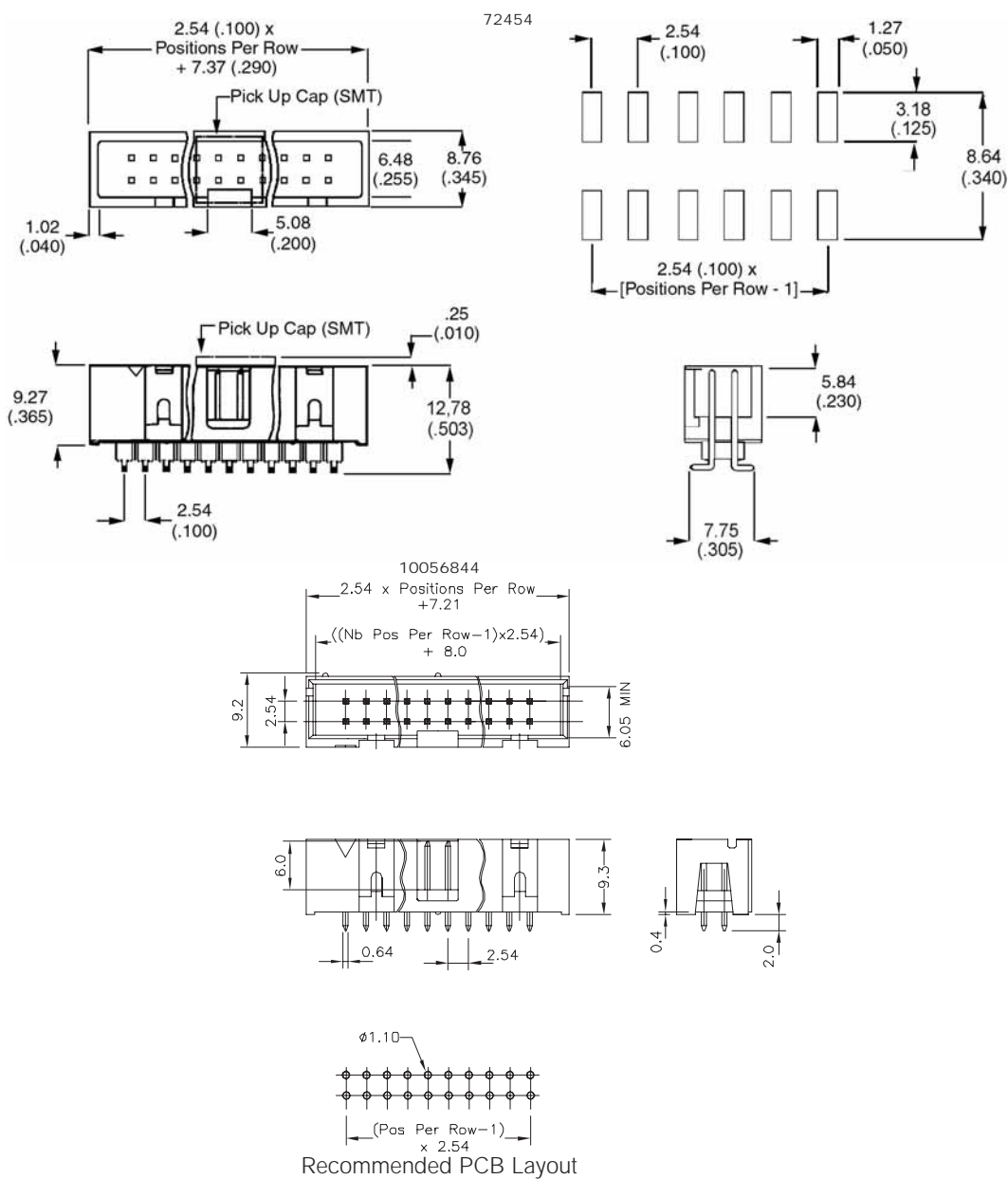
SMT (Surface Mount)



PiP (Pin-in-Paste)



10056844 = Vertical
10056845 = Right angle



2.54 mm (.100")

Quickie™ SHROUDED EJECT LATCH HEADERS 2.54 mm (.100")



- Selective plating
- Recessed pins assure proper alignment and eliminate damage during mating

TECHNICAL DATA

Physical

- Housing: Glass filled, thermoplastic polyester, grey
- Flammability rating: UL 94 V-0



Electrical Performance

- Current rating: 3 A continuous
- Insulation resistance: 10,000 MΩ min
- Dielectric withstanding voltage: 1500 V

Mechanical Performance

- Pin retention to housing: 20 N min.

Operating Temperature Range

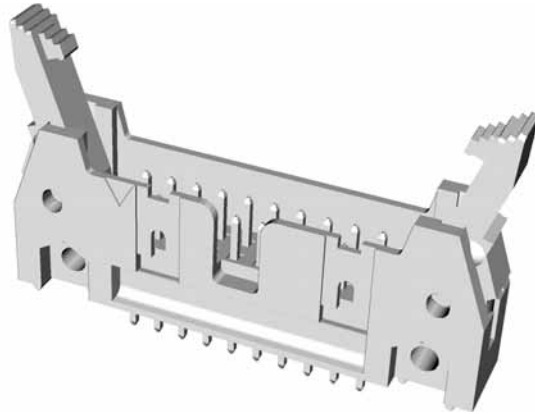
- 65°C to +125°C

Packaging

- Tubes

Reference Information

- File no. E66906
 - File no. LR46923
 - Product drawing: By 5-digit base part number
 - Product specification: BUS-12-082
- Specifications subject to change without notice.



MATING DATA

- Quickie™ IDC receptacles 50

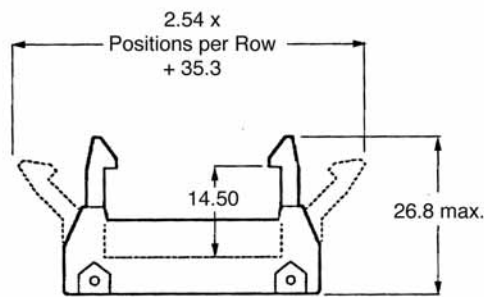
PROCESSING INFORMATION

Compatible with wave soldering processes

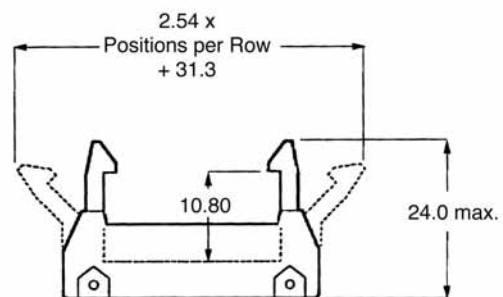
RoHS INFORMATION

This product is RoHS compatible according to the European Union Directive 2002/95/IEC

LATCHING STYLES



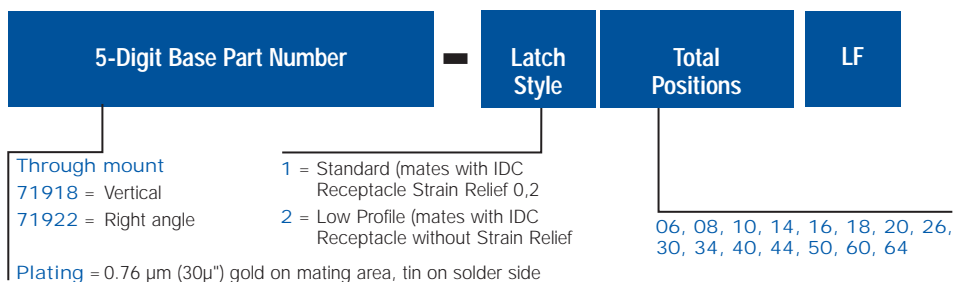
Standard Latch (Style 1)



Low profile Latch (Style 2)

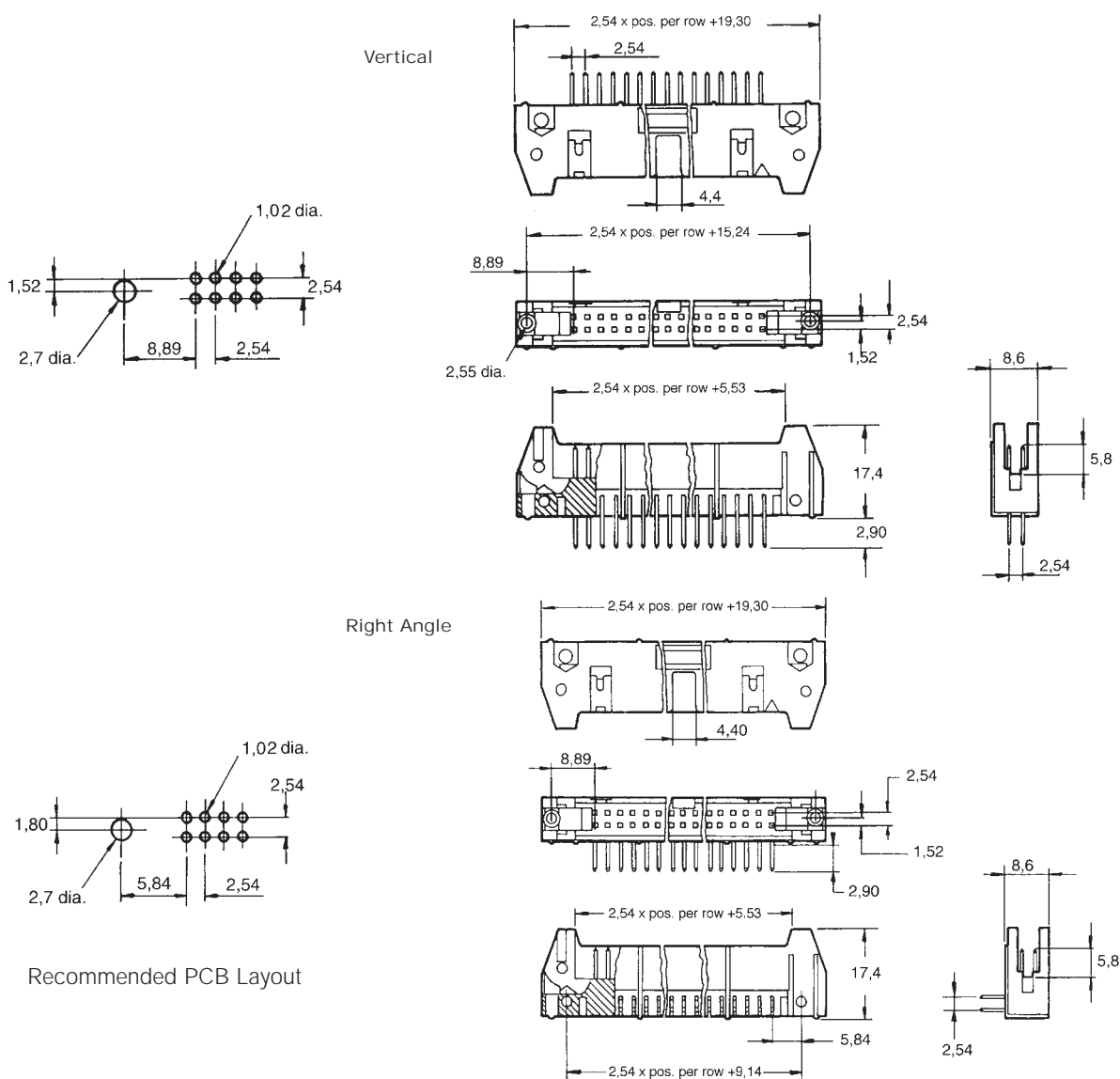
2.54 mm (.100")

PART NUMBER



71918 - 1XXLF
 71922 - 1XXLF
CORE RANGE
 XX = 04, 06, 08, 10, 12, 16, 20

71918 - 1XXLF
 71922 - 1XXLF
PRIORITY PART
 XX = 10 - 40



Dimensions in mm

2.54 mm (.100")



TECHNICAL DATA

Physical

- Housing: Grey thermoplastic
- Flammability rating: UL 94 V-0
- Contact: Phosphor-bronze
- Plating: 0.76 µm (30µ") Gold over
1.27 µm (50 µ") nickel

Electrical Performance

- Current rating: 1 A continuous
- Insulation resistance: 50,000 MΩ min.
- Contact resistance: 15 mΩ max.
- Dielectric withstanding voltage:
1000 V min. rms (sea level)

Mechanical Performance

- Mating cycles (durability): 100

Operating Temperature Range

- -65°C to +125°C

Packaging

- Tubes

Reference Information

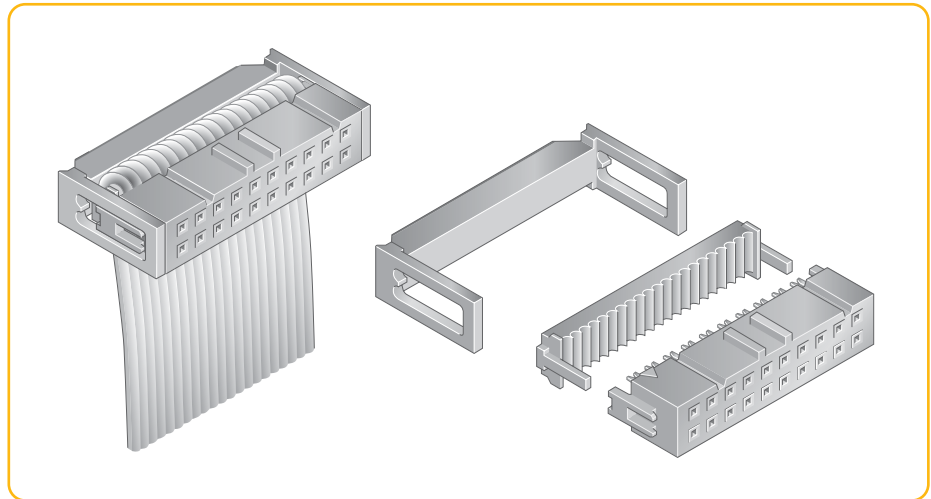
- File no. E66906
 - File no. LR46923
 - Product drawing: By 5-digit base part number
 - Product specification: BUS-12-095
- Specifications subject to change without notice.

MATING DATA

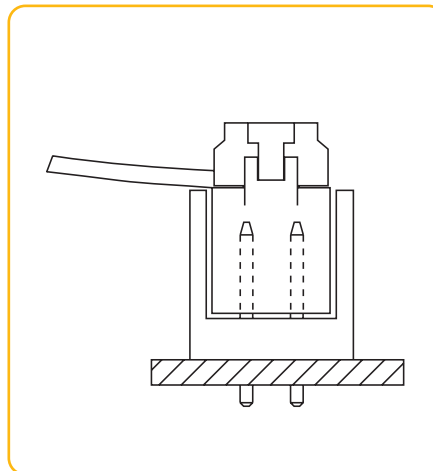
- BergStik® unshrouded vertical headers 10, 12, 14
- Quickie® shrouded low profile headers 44, 46
- Quickie® shrouded eject latch headers 48

RoHS INFORMATION

This product is RoHS compatible according to the European Union Directive 2002/95/IEC



TYPICAL APPLICATIONS



PART NUMBER



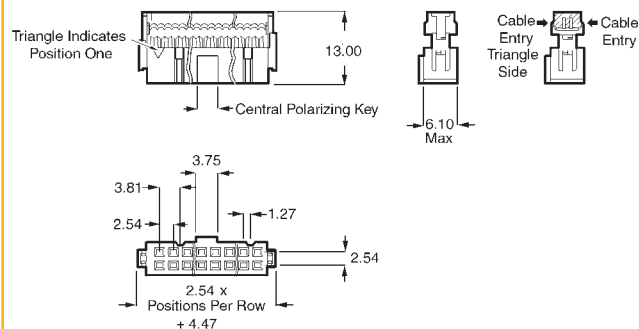
04, 06, 08, 10, 14, 16, 20, 26, 34, 40, 50, 60, 64

- 0 = Standard (Mates with Shrouded Eject Latch Header Latch 1)
- 1 = None (Mates with Shrouded Eject Latch Header Latch 2)
- 2 = Low Profile (Mates with Shrouded Eject Latch Header Latch 1)
- 6 = Latching (Mates with Low Profile Headers)

Note: 4 position available without strain relief only

71600 - 0XXLF **CORE RANGE**
XX = 04, 06, 08, 10, 12, 16, 20

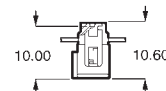
71600 - 0XXLF **PRIORITY PART**
XX = 22 - 40



0
Standard Strain Relief



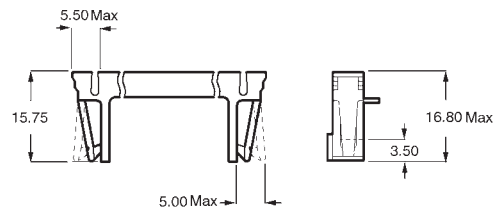
1
Without Strain Relief



2
Low Profile Strain Relief



6
Latching Strain Relief For Low Profile Header



Dimensions in mm

2.54 mm (.100")



- Ideal for daisy chain applications
- Single piece design provides one of the lowest applied costs in the industry

TECHNICAL DATA

Physical

- Housing: Blue thermoplastic
- Flammability rating: UL 94 V-0
- Pin: Phosphor-bronze
- Plating: Tin over 1.27 μm (50 μin) nickel

Electrical Performance

- Current rating: 1 A continuous
- Insulation resistance: 50,000 $\text{M}\Omega$ min.
- Contact resistance: 15 $\text{m}\Omega$ max.
- Dielectric withstanding voltage: 1000 V min.


Operating Temperature Range


- -65°C to +125°C

Packaging

- Tubes

Reference Information

 File no. E66906

 File no. LR46923

- Product drawing: By 5-digit base part number

- Product specification: 110-019

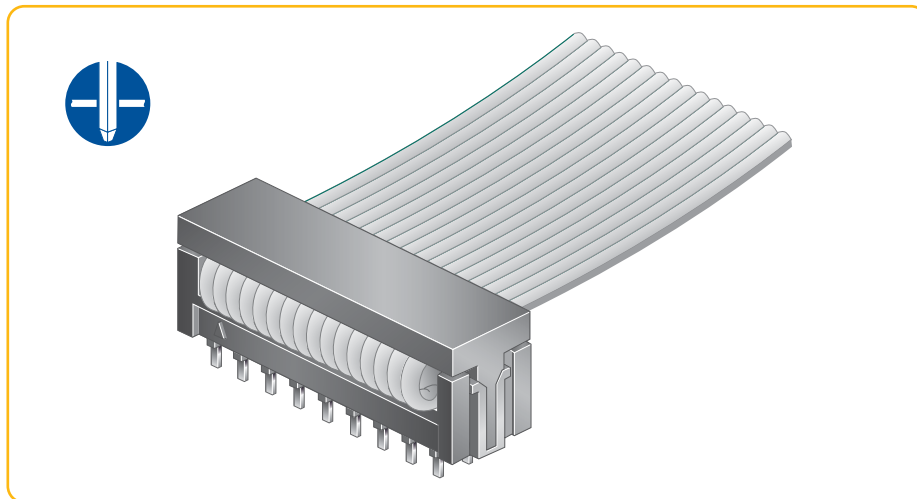
Specifications subject to change without notice.

PROCESSING INFORMATION

Compatible with wave and vapor phase soldering processes — Low temperature

RoHs INFORMATION

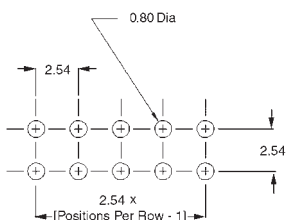
This product is RoHs compatible according to the European Union Directive 2002/95/IEC



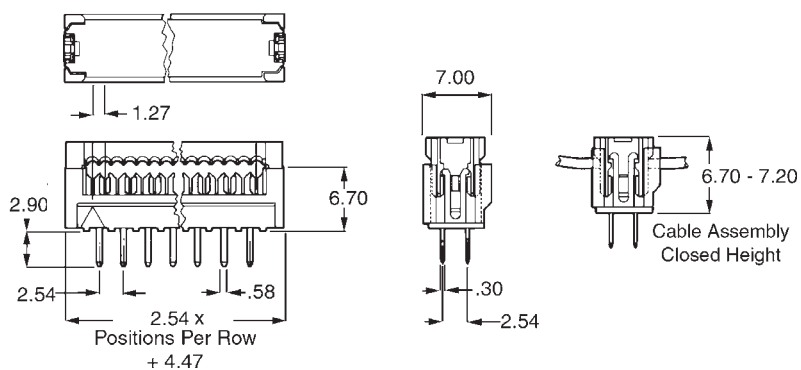
PART NUMBER



02 = 6 pos.	18 = 18 pos.	34 = 34 pos.
08 = 8 pos.	20 = 20 pos.	40 = 40 pos.
10 = 10 pos.	24 = 24 pos.	50 = 50 pos.
14 = 14 pos.	26 = 26 pos.	60 = 60 pos.
16 = 16 pos.	30 = 30 pos.	64 = 64 pos.



Recommended PCB Layout



Dimensions in mm

2.54 mm (.100")

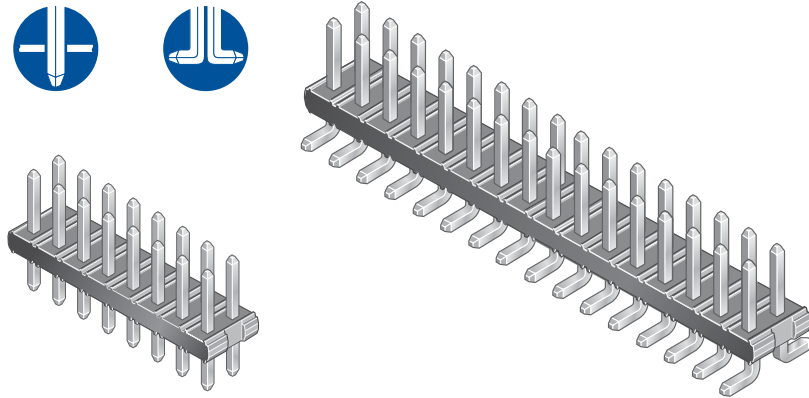
Minitek™ UNSHROUDED VERTICAL HEADERS 2.00 mm (.079")



TECHNICAL DATA

Physical

- Housing: High-temperature, black thermoplastic
- Flammability rating: UL 94 V-0
- Pin: Phosphor-bronze
- Plating: Gold over 1.27 μm (50 μ") nickel



Electrical Performance

- Current rating: 1 A continuous
- Insulation resistance: 1000 MΩ min.
- Contact resistance: 25 mΩ max.
- Dielectric withstanding voltage: 650 V
- Voltage rating: 200 V

Mechanical Performance

- Mating cycles (durability): 100

Operating Temperature Range

- -55°C to +125°C

Packaging

- Standard: TMT in tubes (04 to 06 pos. packed in box)
- SMT in Tape-and-reel
- Optional: SMT in Tubes

Reference Information

- File no. E66906
 - File no. LR46923
 - Product drawing: 57102 or 57202
 - Product specification: DPS-12-011 and GS-12-163
 - Tape and Reel packaging data: TA-884
- Specifications subject to change without notice.

MATING DATA

- Minitek™ ctw contacts and housings 68
- Minitek™ Vertical receptacles 60
- Minitek™ Shunts 62
- Minitek™ IDC receptacles 70

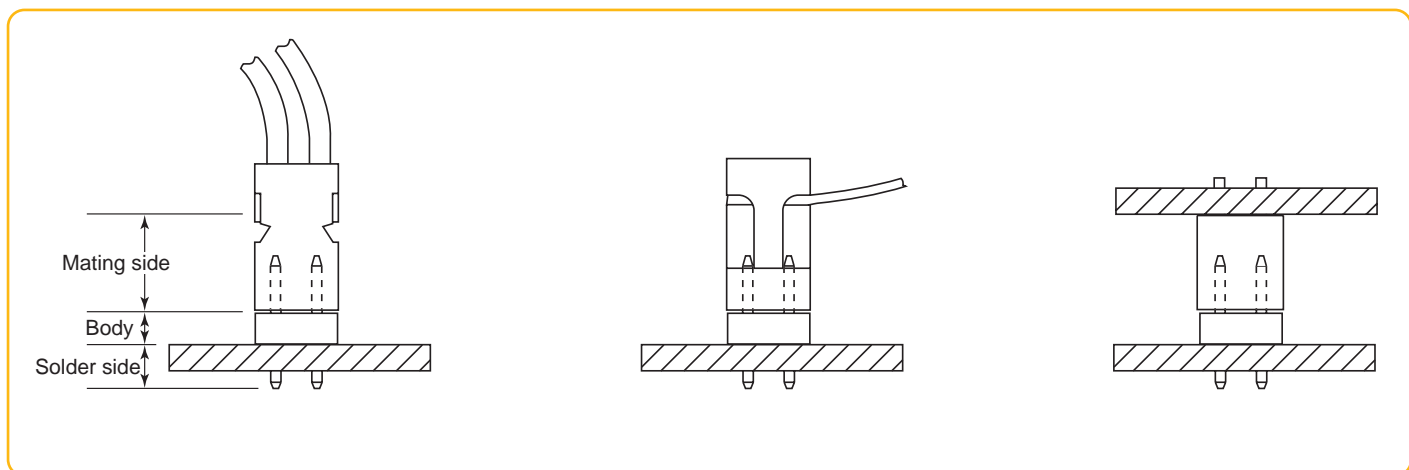
PROCESSING INFORMATION

Compatible with wave, vapor-phase, and IR reflow soldering processes

RoHs INFORMATION

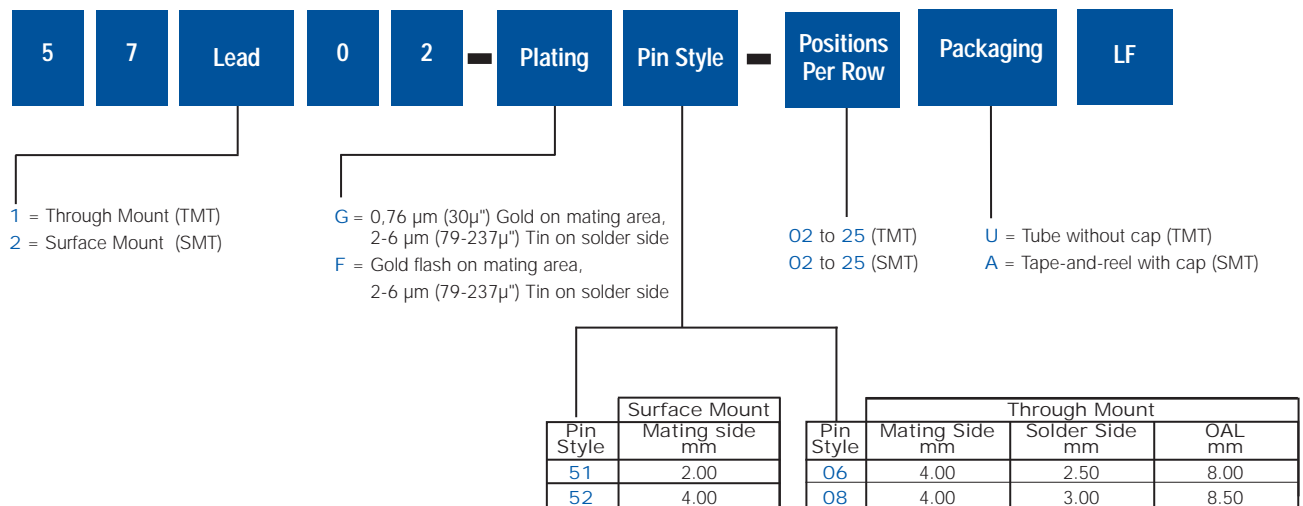
This product is RoHs compatible according to the European Union Directive 2002/95/IEC

TYPICAL APPLICATIONS



2.00 mm (.079")

PART NUMBER



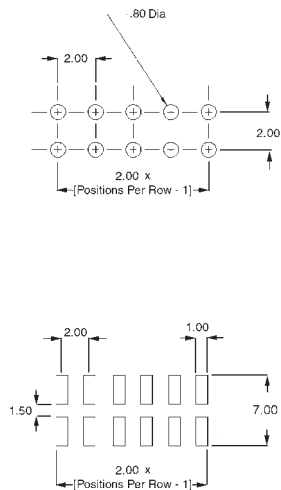
57202 - G 52 - XXALF

XX = 02, 03, 04, 05, 06, 08, 10

CORE RANGE

57202 - G 52 - Positions per row ALF

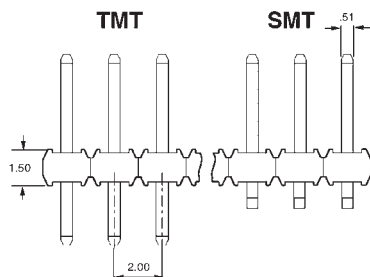
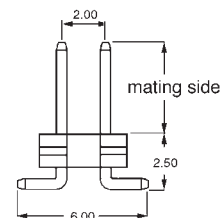
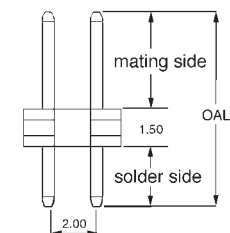
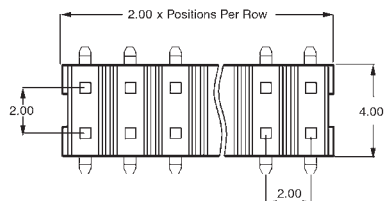
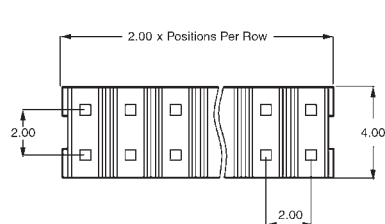
PRIORITY PART



Recommended PCB Layout

TMT

SMT



Dimensions in mm

2.00 mm (.079")

Minitek™ UNSHROUDED RIGHT ANGLE HEADERS 2.00 mm (.079")

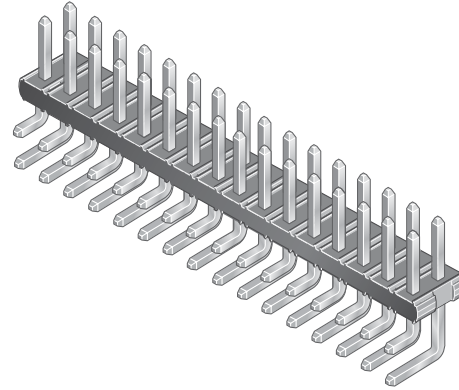


- High temperature plastic
- Selective plating

TECHNICAL DATA

Physical

- Housing: High-temperature, black thermoplastic
- Flammability rating: UL 94 V-0
- Pin: Phosphor-bronze
- Plating: Gold over 1.27 μm (50μm) nickel



Electrical Performance

- Current rating: 1 A continuous
- Insulation resistance: 1000 MΩ min.
- Contact resistance: 25 mΩ max.
- Dielectric withstanding voltage: 650 V
- Voltage rating: 200 V

Mechanical Performance

- Mating cycles (durability): 100

Operating Temperature Range

- 55°C to +125°C

Packaging

- Tubes (04 to 06 pos. packed in box)

Reference Information

- File no. E66906
- File no. LR46923
- Product drawing: 98423
- Product specification: DPS-12-011 and GS-12-163

Specifications subject to change without notice.

MATING DATA

- Minitek™ ctw contacts and housings 68
- Minitek™ Vertical receptacles 60
- Minitek™ Shunts 62
- Minitek™ IDC receptacles 70

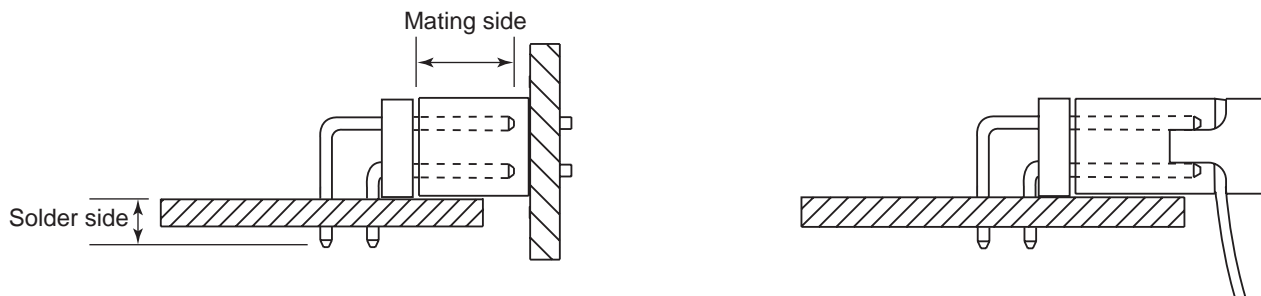
PROCESSING INFORMATION

Compatible with wave, vapor-phase, and IR reflow soldering processes

RoHs INFORMATION

This product is RoHs compatible according to the European Union Directive 2002/95/IEC

TYPICAL APPLICATIONS



2.00 mm (.079")

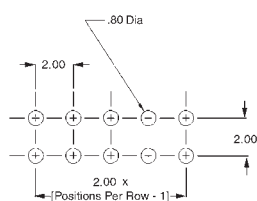
PART NUMBER



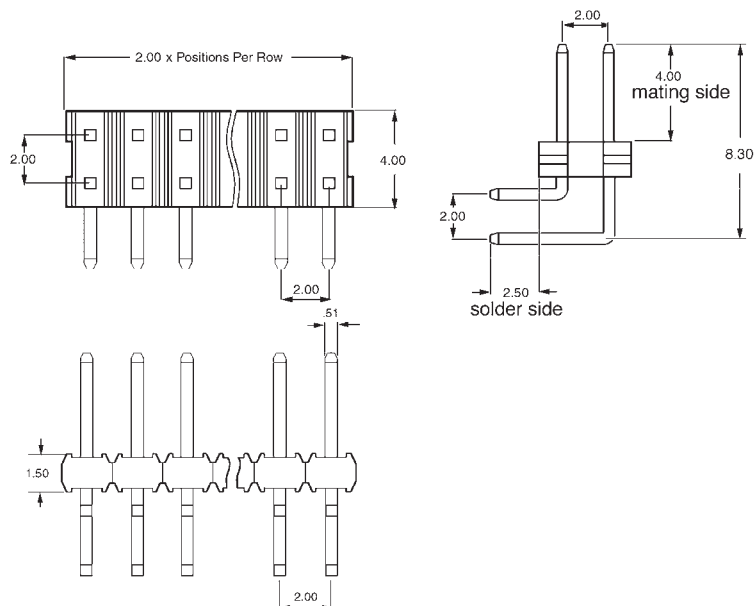
G = 0,76 μm (30 μ "") Gold on mating area,
2-6 μm (79-237 μ "") Tin on solder side

F = Gold flash on mating area,
2-6 μm (79-237 μ "") Tin on solder side

02 to 25



Recommended PCB Layout



Dimensions in mm

Minitek™ UNSHROUDED STACKING HEADERS 2.00 mm (.079")



- Wide variety of stack heights in 0.13 mm increments
- Custom sizes to meet your specific design requirements

TECHNICAL DATA

Physical

- Housing: High-temperature, black thermoplastic
- Flammability rating: UL 94 V-0
- Pin: Phosphor-bronze
- Plating: Gold over 1.27 μm nickel



Electrical Performance

- Current rating: 2 A continuous
- Insulation resistance: 1000 MΩ min.
- Contact resistance: 25 mΩ max.
- Dielectric withstanding voltage: 650 V
- Voltage rating: 200 V

Mechanical Performance

- Mating cycles (durability): 100

Operating Temperature Range

- 55°C to +125°C

Packaging

- Standard: in bags

Reference Information

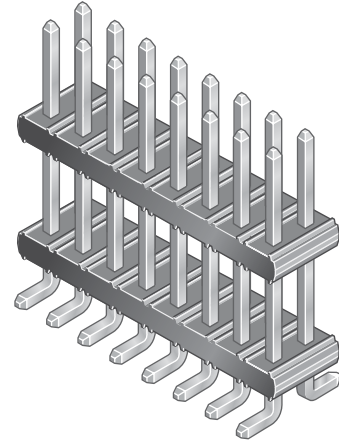
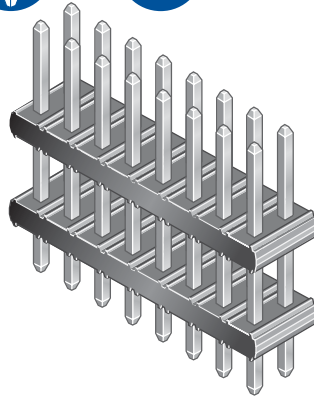
File no. E66906

File no. LR46923

Product drawing: 59112, 59132, or 59202

Product specification: DPS-12-011

Specifications subject to change without notice.



MATING DATA

- Minitek™ ctw contacts and housings 68
- Minitek™ Vertical receptacles 60
- Minitek™ Shunts 62
- Minitek™ IDC receptacles 70

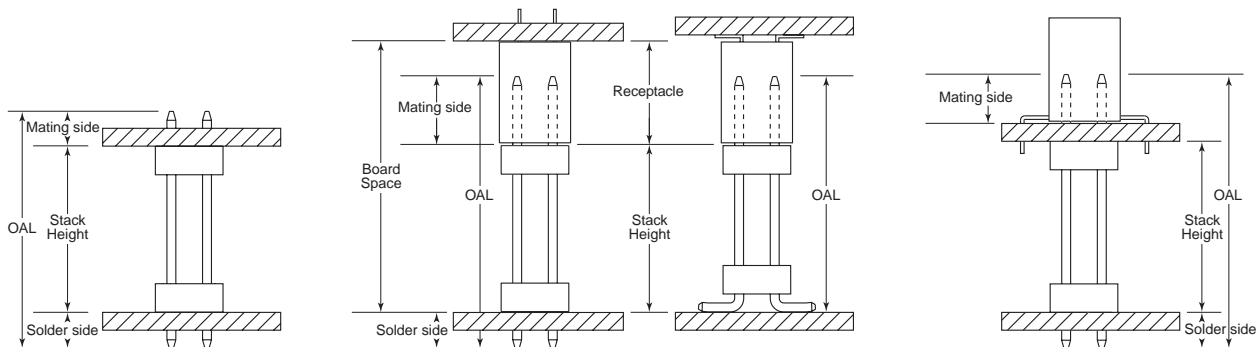
PROCESSING INFORMATION

Compatible with wave, vapor-phase, and IR reflow soldering processes

RoHS INFORMATION

This product is RoHS compatible according to the European Union Directive 2002/95/IEC

TYPICAL APPLICATIONS



2.00 mm (.079")

PART NUMBER



1 = Through Mount (TMT)
2 = Surface Mount (SMT)

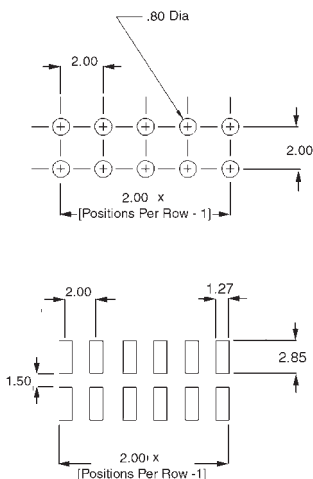
1 = 2.50
3 = 3.00
0 = SMT

T = 0,76 μm (30 μm)
Gold on mating side,
tin on solder side

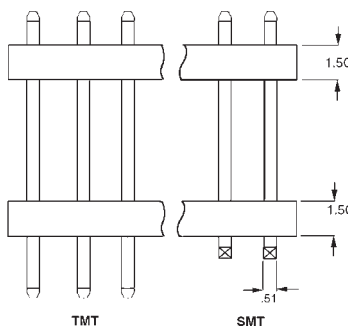
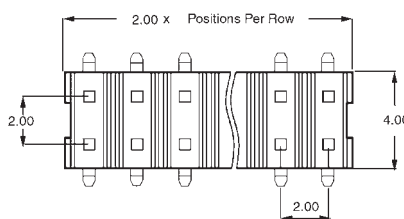
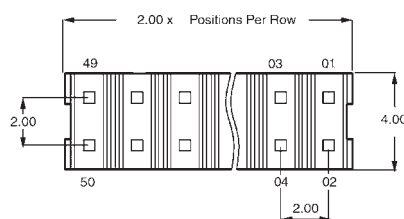
02 to 25 (TMT)
02 to 25 (SMT)

XXX = mm
Specify mm
[i.e., 037 = 03.7 mm]
in 0.1 mm increments

Pin Style	OAL (TMT) mm	OAL (SMT) mm
22	8.20	6.53
24	9.55	7.87
26	10.19	8.51
28	11.79	10.11
30	13.54	11.86
32	14.10	12.42
34	15.60	13.92
36	17.09	15.42
38	19.08	17.40
40	21.08	19.41



Recommended PCB Layout



Step-by-Step Design

1. Determine desired board spacing
2. Select receptacle and calculate stack height
Stack Height = Board Spacing – Receptacle Height
3. Find the insertion depth from the chart below.
Calculate max./min. OAL
OAL = Stack Height + Tail + Insertion Depth
4. Select the Pin Style with OAL between max. and min. values

	RECEPTACLES	
Height (mm)	4.50	2.30
Insertion Depth (max.)	4.30	2.20
Insertion Depth (min.)	3.00	1.30

Example:

1. Application requires a board spacing of 12.5 mm
2. Select the appropriate receptacle, in this case 4.5 mm height (SMT)
The Header Stack Height is 12.5 - 4.5 = 8.0 mm
3. For 1,6 mm board application (TMT), the 2.5 Solder side is selected
OAL (max.) = 12.5 + 2.5 + 4.3 = 19.3
OAL (min.) = 12.5 + 2.5 + 3.0 = 18.0
4. Select Pin Style 38 with OAL = 19.08 mm
5. Part Number is 59112-G3810-080LF

Dimensions in mm



- Two housing heights: 2.30 mm, 4.50 mm
- Dual-beam contact design for highly reliable electrical performance

TECHNICAL DATA

Physical

- Housing: High-temperature, black thermoplastic
- Flammability rating: UL 94 V-0
- Contact: Phosphor-bronze Beryllium-copper – 63453
- Plating: Gold over 1.27 μm (50 μ") nickel



Electrical Performance

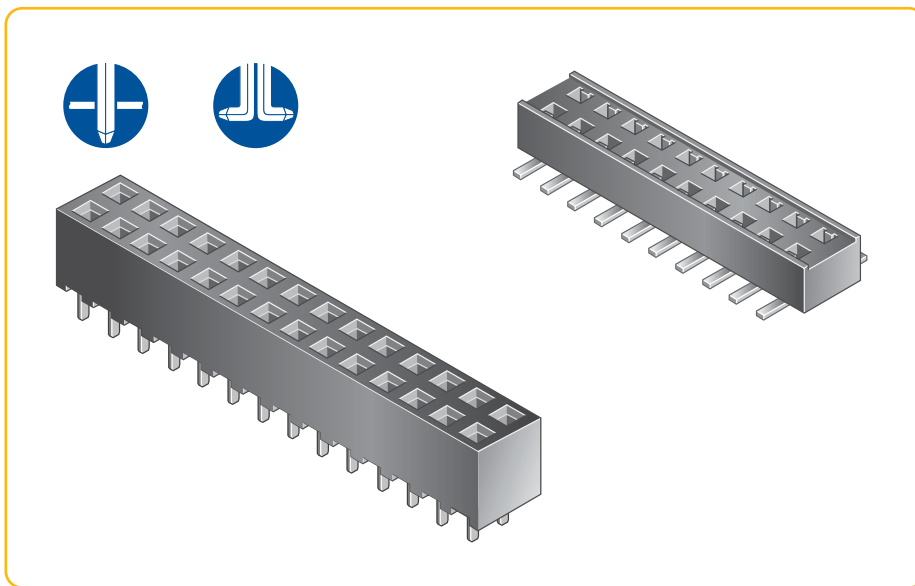
- Current rating: 2 A
2 A – 63453
- Insulation resistance: 1000 MΩ min.
- Contact resistance: 20 mΩ
25 mΩ - 63453
- Dielectric withstanding voltage: 500 V
- Voltage rating: 200 V

Mechanical Performance

- Mating cycles (durability): 25
100 - 63453
- Contact retention to housing:
2.20 N (227 gf) min.
4.90 N (500 gf) min. – 63453
- Insertion force per contact:
1.80 N (184 gf) max.
1.95 N (200 gf) – 63453
- Withdrawal force per contact:
0.20 N (20 gf) min.

Operating Temperature Range

- 55°C to +125°C



Packaging

- Standard: TMT in Tubes
SMT in Tape-and-reel
- Optional: Tubes (SMT)

Reference Information

- File no. E66906
- File no. LR46923
- Product drawing:
by 5-digit base part number
- Product specification:
GS-12-008
DPS-12-011 - for 63453

Specifications subject to change without notice.

MATING DATA

- Minitek™
Unshrouded headers 54, 56, 58
- Minitek™ Shrouded headers 64, 66

INSERTION DEPTH

- 4.50 mm height:
3.00 mm min. to 4.30 mm max.
[provides .381 mm wipe]
- 2.30 mm height – Top Entry:
1.30 mm min. to 2.20 mm max.
[provides .381 mm wipe]
- 2.30 mm height – Bottom Entry:
1.40 mm min. to 2.20 mm max.
[provides .381 mm wipe]
plus board thickness

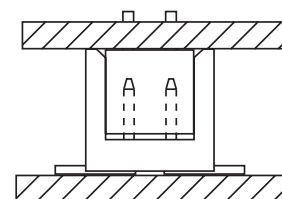
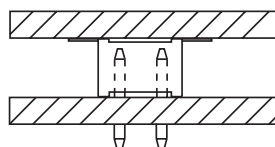
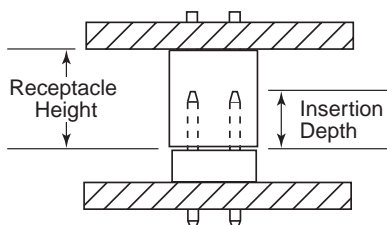
PROCESSING INFORMATION

Compatible with wave, vapor-phase, and IR reflow soldering processes

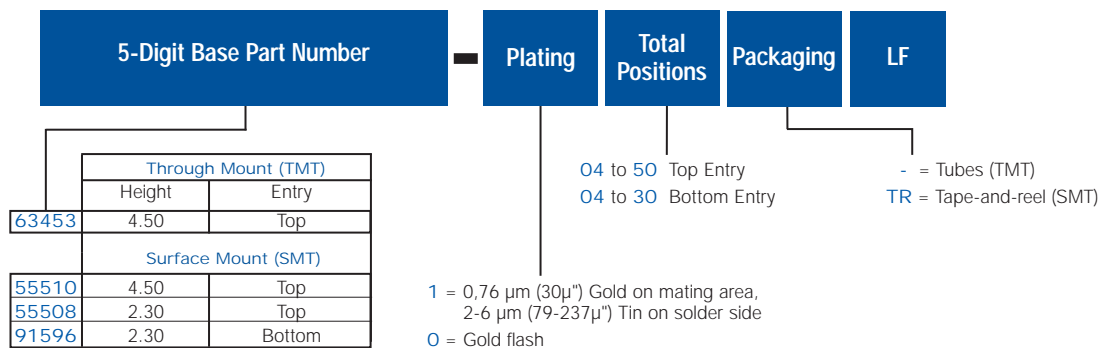
RoHs INFORMATION

This product is RoHs compatible according to the European Union Directive 2002/95/IEC

TYPICAL APPLICATIONS

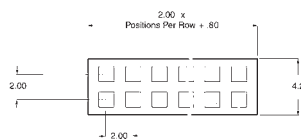
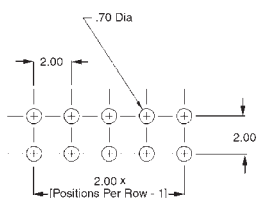


PART NUMBER

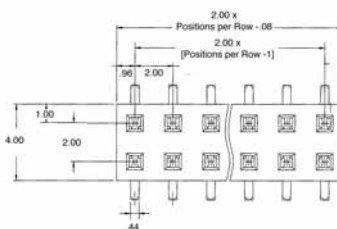
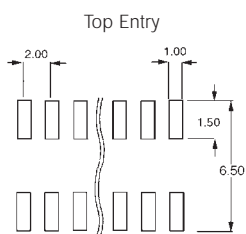
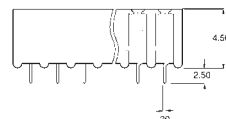


55510 - 1XXTRLF **CORE RANGE**
XX = 04, 06, 08, 10, 12, 16, 20

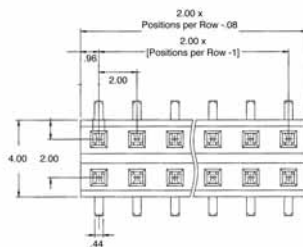
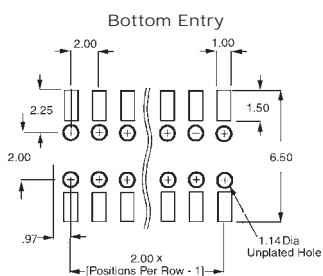
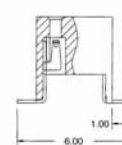
55510 - 1 Total Positions TRLF **PRIORITY PART**



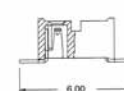
P/N 63453



P/N 55510



P/N 55508



Recommended PCB Layout

Dimensions in mm

2.00 mm (.079")



- Early entry, dual-beam contacts provide long wiping action for reliable electrical contact

TECHNICAL DATA

Physical

- Housing: Black thermoplastic
- Flammability rating: UL 94 V-0
- Contact: Phosphor-bronze
- Plating: Gold or tin-lead over 1.27 μm (50 μ") nickel

Electrical Performance

- Current rating: 1 A continuous
- Insulation resistance: 1000 MΩ min.
- Contact resistance: 25 mΩ max.
- Dielectric withstanding voltage: 650 V
- Voltage rating: 200 V

Mechanical Performance

- Mating cycles (durability): 50
- Insertion force per contact: 6.41 N (650 gf) max.
- Withdrawal force per contact: 0.49 N (50 gf) min.


Operating Temperature Range


- 40°C to +105°C

Packaging

- Bags

Reference Information

 File no. E66906

 File no. LR46923

- Product drawing: By 5-digit base part number

- Product specification: DPS-12-012

Specifications subject to change without notice.

MATING DATA

- Minitek™

Unshrouded headers 54, 56, 58

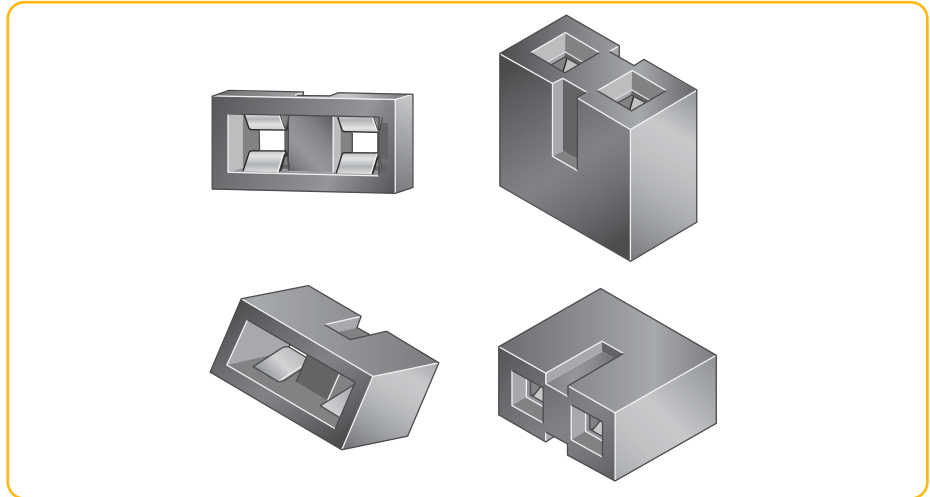
- Minitek™ Shrouded headers 64, 66

INSERTION DEPTH

- 2.24 mm min. [provides .381 mm wipe]

RoHS INFORMATION

This product is RoHS compatible according to the European Union Directive 2002/95/IEC



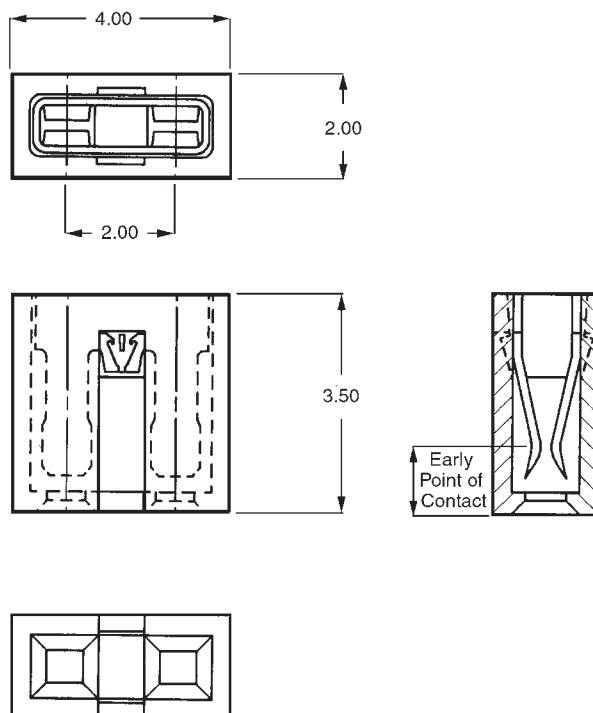
PART NUMBER



1 = 0,76 μm (30 μ "") Gold on mating area,
 2-6 μm (79-237 μ "") Tin on solder side
 0 = Gold flash

86730 - 101LF

**CORE
RANGE**



Dimensions in mm

2.00 mm (.079")

Minitek™ SHROUDED VERTICAL HEADERS 2.00 mm (.079")



- 4-wall design prevents mis-mating
- Selective plating
- Co-planarity 0.1 (SMT)

TECHNICAL DATA

Physical

- Housing: High temperature, cream-colored thermoplastic
- Flammability rating: UL 94 V-0
- Pin: Phosphor-bronze
- Plating: Gold over 1.27 μm (50 μ") nickel



Electrical Performance

- Current rating: 2 A continuous
- Insulation resistance: 1000 MΩ min.
- Contact resistance: 25 mΩ max.
- Dielectric withstanding voltage: 650 V
- Voltage rating: 200 V

Mechanical Performance

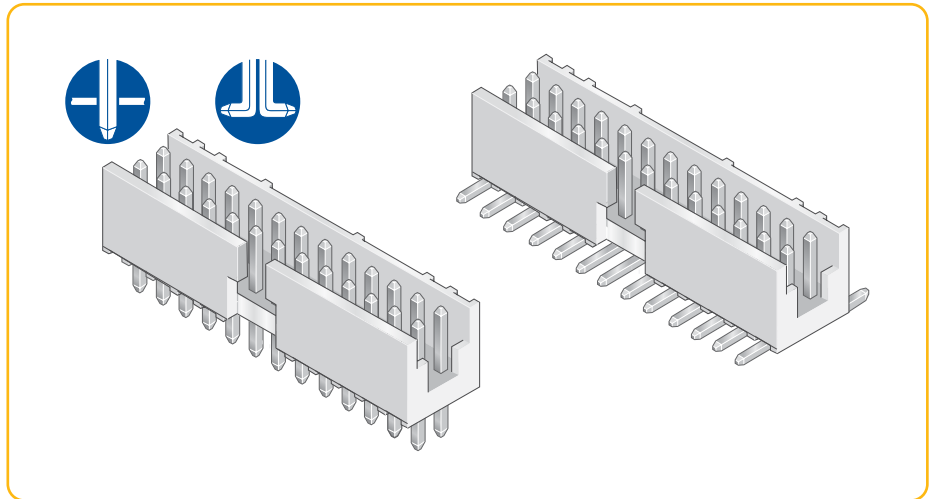
- Mating cycles (durability): 100

Operating Temperature Range

- 40°C to +125°C

Packaging

- Standard: TMT in Tubes (04 to 06 pos. packed in box)
SMT in Tape-and-reel
- Optional: SMT in Tubes (04 and 06 in box)



Reference Information

- File no. E66906
 - File no. LR46923
 - Product drawing: 98414 or 98424
 - Product specification: DPS-12-011 and GS-12-163
 - Tape and Reel packaging data TA-884
- Specifications subject to change without notice.

PROCESSING INFORMATION

Compatible with wave, vapor-phase, and IR reflow soldering processes

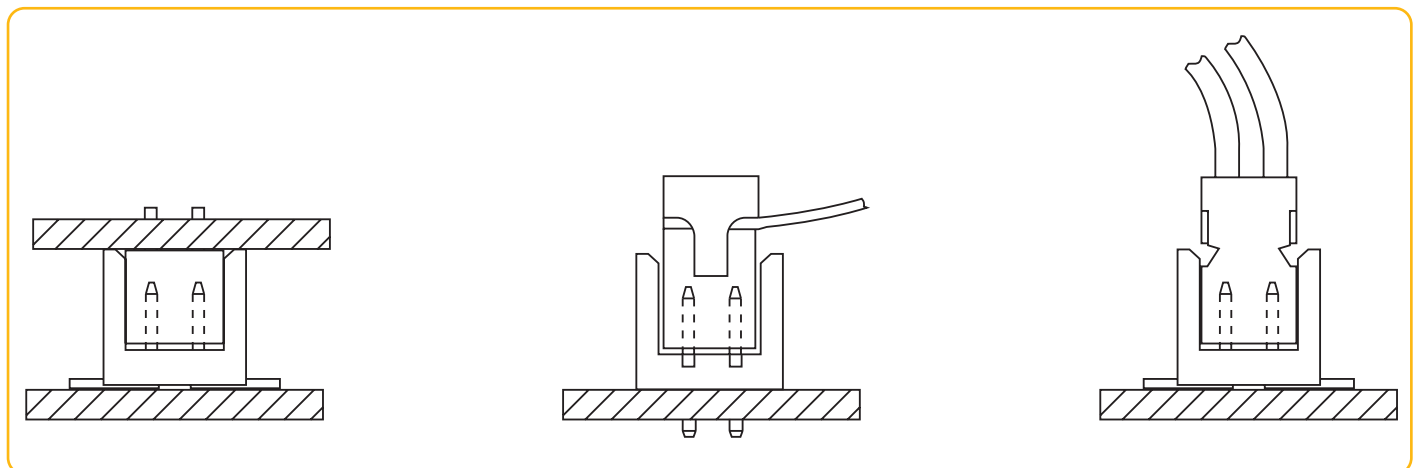
RoHs INFORMATION

This product is RoHs compatible according to the European Union Directive 2002/95/IEC

MATING DATA

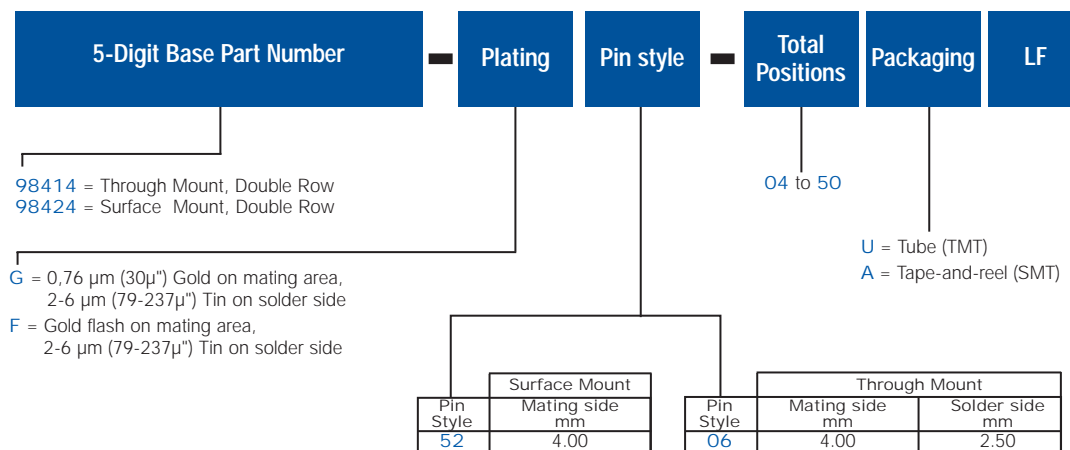
- Minitek™ ctw contacts and housings 68
- Minitek™ Vertical receptacles 60
- Minitek™ Shunts 62
- Minitek™ IDC receptacles 70

TYPICAL APPLICATIONS



2.00 mm (.079")

PART NUMBER

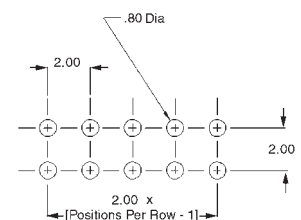


98424 - G 52 - XX ALF
XX = 04, 06, 08, 10, 12, 16, 20

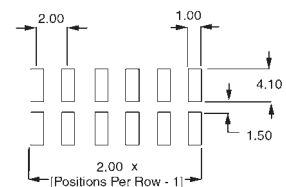
CORE RANGE

98424 - G 52 - Total Positions ALF

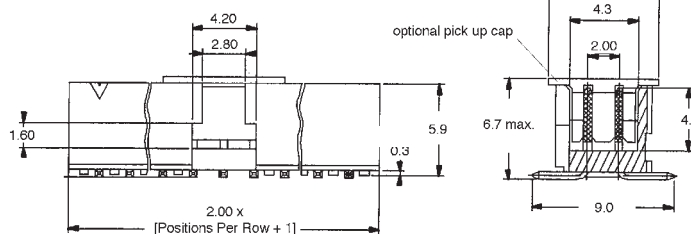
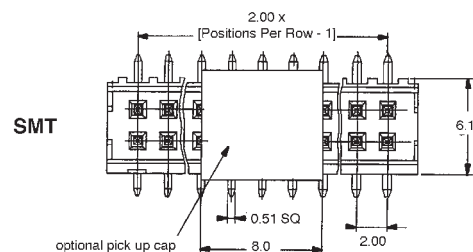
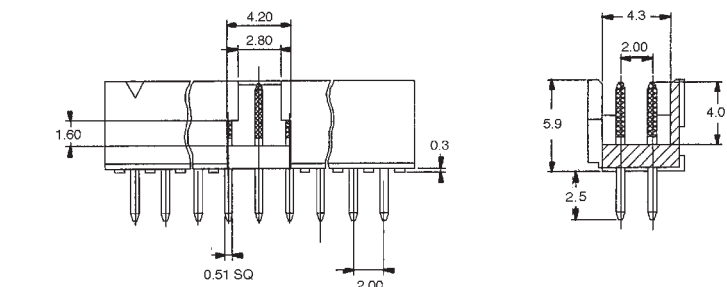
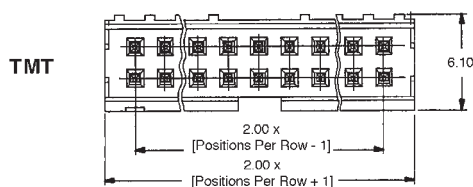
PRIORITY PART



Recommended PCB Layout

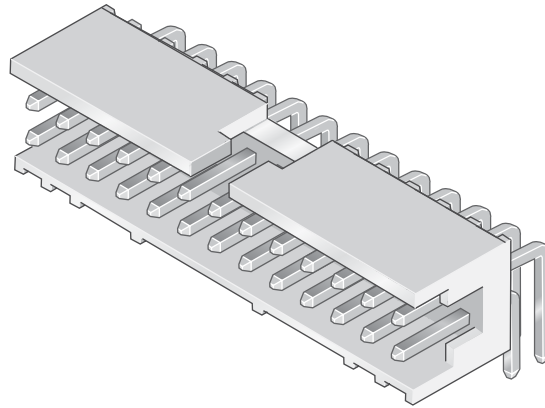


Recommended PCB Layout





- 4-wall design prevents mis-mating
- Selective plating



TECHNICAL DATA

Physical

- Housing: High-temperature, cream-colored thermoplastic
- Flammability rating: UL 94 V-0
- Pin: Phosphor-bronze
- Plating: Gold over 1.27 μm (50 μin) nickel

Electrical Performance

- Current rating: 2 A continuous
- Insulation resistance: 1000 M Ω min.
- Contact resistance: 25 m Ω max.
- Dielectric withstanding voltage: 650 V
- Voltage rating: 200 V

Mechanical Performance

- Mating cycles (durability): 100

Operating Temperature Range

- 40°C to +125°C

Packaging

- Standard: Tubes (04 to 06 pos. packed in box)

Reference Information

- File no. E66906
- File no. LR46923
- Product drawing: 98464
- Product specification: DPS-12-011 and GS-12-163

Specifications subject to change without notice.

MATING DATA

- | | |
|------------------------------------|----|
| Minitek™ ctw contacts and housings | 68 |
| Minitek™ Vertical receptacles | 60 |
| Minitek™ Shunts | 62 |
| Minitek™ IDC receptacles | 70 |

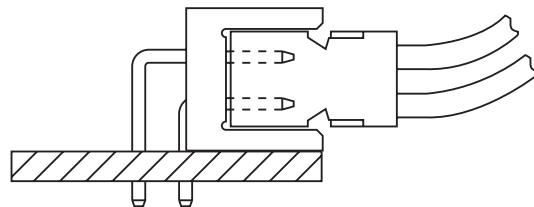
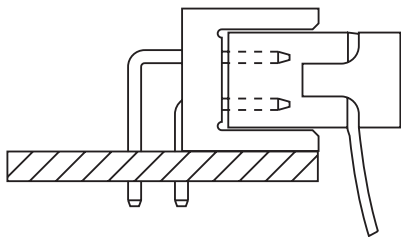
PROCESSING INFORMATION

Compatible with wave, vapor-phase, and IR reflow soldering processes

RoHs INFORMATION

This product is RoHs compatible according to the European Union Directive 2002/95/IEC

TYPICAL APPLICATIONS



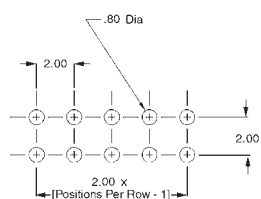
PART NUMBER



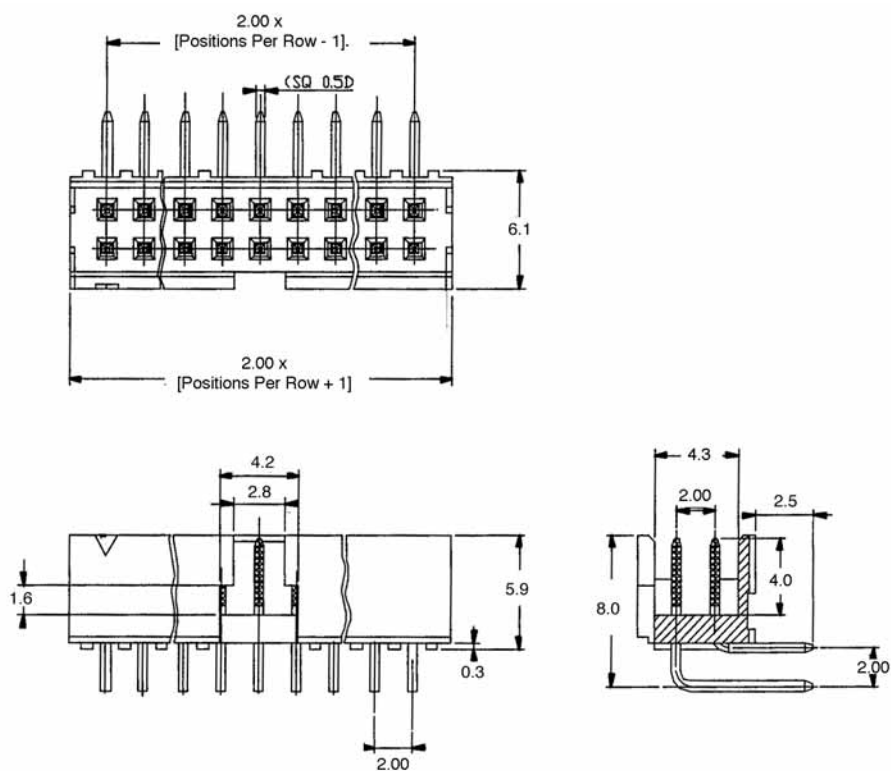
04 to 50 (Double Row)

G = 0,76 μm (30 μin) Gold on mating area,
2-6 μm (79-237 μin) Tin on solder side

F = Gold flash on mating area,
2-6 μm (79-237 μin) Tin on solder side



Recommended PCB Layout



Dimensions in mm

2.00 mm (.079 in)



- ▶ Dual-beam contact design for highly reliable electrical performance
- ▶ Latching key assures proper alignment and friction retention

TECHNICAL DATA

Physical

- ▶ Housing: Black thermoplastic
- ▶ Flammability rating: UL 94 V-0
- ▶ Contact: Phosphor-bronze
- ▶ Plating: Gold over 1.27 μm (50 μ") nickel



Electrical Performance

- ▶ Current rating: 2 A continuous
- ▶ Insulation resistance: 1000 MΩ min.
- ▶ Contact resistance: 20 mΩ max.
- ▶ Dielectric withstanding voltage: 650 V
- ▶ Voltage rating: 200 V

Mechanical Performance

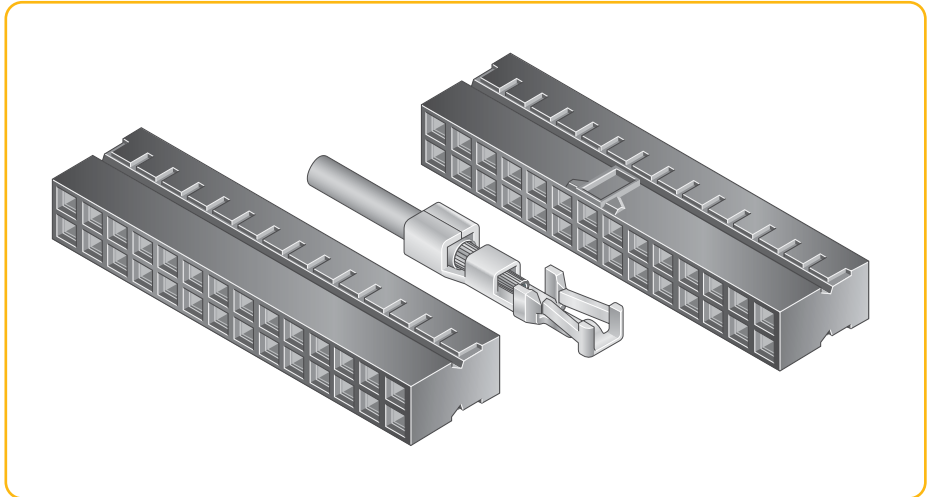
- ▶ Mating cycles (durability): 100
- ▶ Contact retention to housing: 7.83 N (800 gf) min.
- ▶ Mating force per contact: 1.77 N (180 gf) max.
- ▶ Unmating force per contact: 0.20 N (20 gf) min.

Operating Temperature Range

- ▶ -40°C to +105°C

Packaging

- ▶ Reels – Contacts
- ▶ Bags – Housings



Reference Information

- ▶ File no. E66906
- ▶ File no. LR46923
- ▶ Product drawing: 77138 or 77139 – Contact
69307, 90311 – Housing
- ▶ Product specification: 110-036
- ▶ Application specification: 100-006, TA-959

Specifications subject to change without notice.

INSERTION DEPTH

- ▶ 2.40 mm min. to 3.30 mm max. [provides .381 mm wipe]
- ▶ 3.63 mm min. to 4.00 mm max. [provides .381 mm wipe in housing]

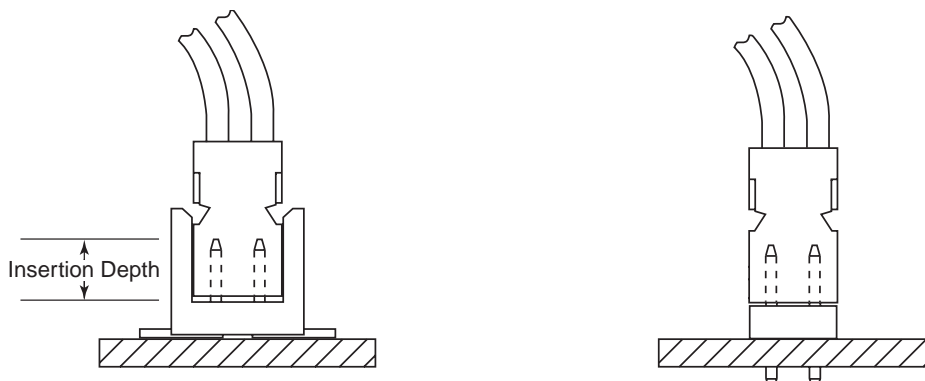
RoHs INFORMATION

This product is RoHs compatible according to the European Union Directive 2002/95/IEC

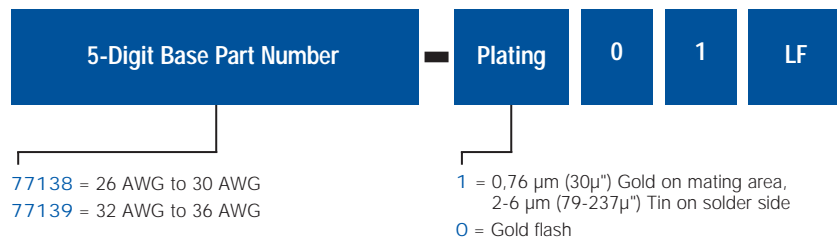
MATING DATA

- ▶ Minitek™ Unshrouded headers 54, 56, 58
- ▶ Minitek™ Shrouded headers 64, 66

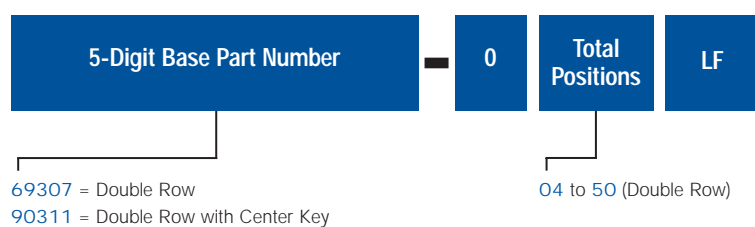
TYPICAL APPLICATIONS



PART NUMBER



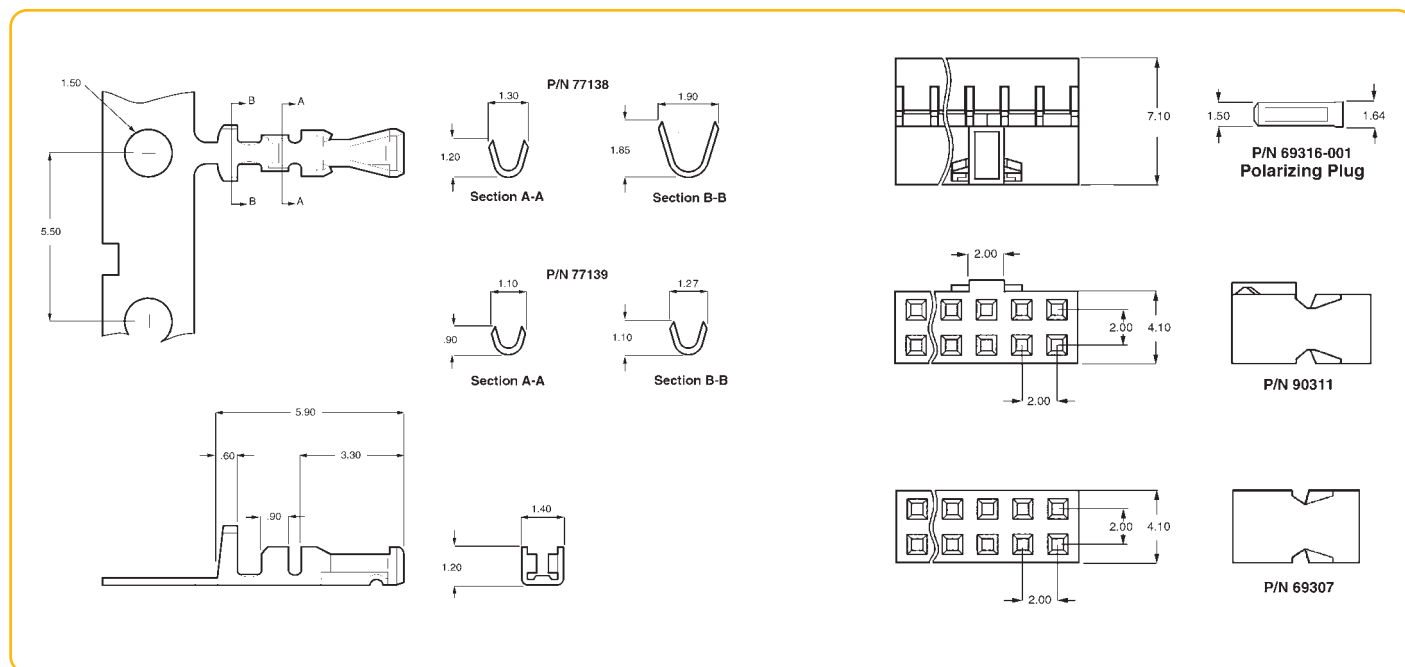
Housings



77138	-	101LF	CORE RANGE
90311	-	0XXLF	

XX = 04, 06, 08, 10, 12, 16, 20

90311	-	0 Total Positions LF	PRIORITY PART
-------	---	----------------------	----------------------



Dimensions in mm

2.00 mm (.079")



- Early entry, single-beam contacts provide long wiping action for reliable electrical contact
- Center key polarization and friction latch options

TECHNICAL DATA

Physical

- Housing: Black thermoplastic
- Flammability rating: UL 94 V-0
- Contact: Phosphor-bronze
- Plating: Gold over 1.27 μm (50 μ") nickel



Electrical Performance

- Current rating: 1 A continuous
- Insulation resistance: 1000 MΩ min.
- Contact resistance: 30 mΩ max.
- Dielectric withstanding voltage: 650 V

Mechanical Performance

- Mating cycles (durability): 100

Operating Temperature Range

- 40°C to +105°C

Packaging

- Tubes

Reference Information

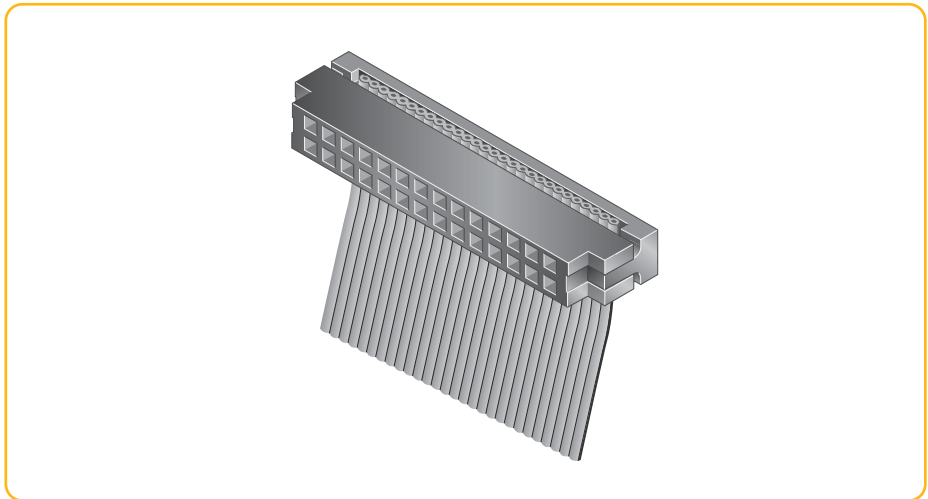
UL File no. E66906

CS File no. LR46923

Product drawing: 89947 or 89361

Product specification: BUS-12-115

Specifications subject to change without notice.



MATING DATA

- Minitek™ Unshrouded headers 54, 56, 58
- Minitek™ Shrouded headers 64, 66

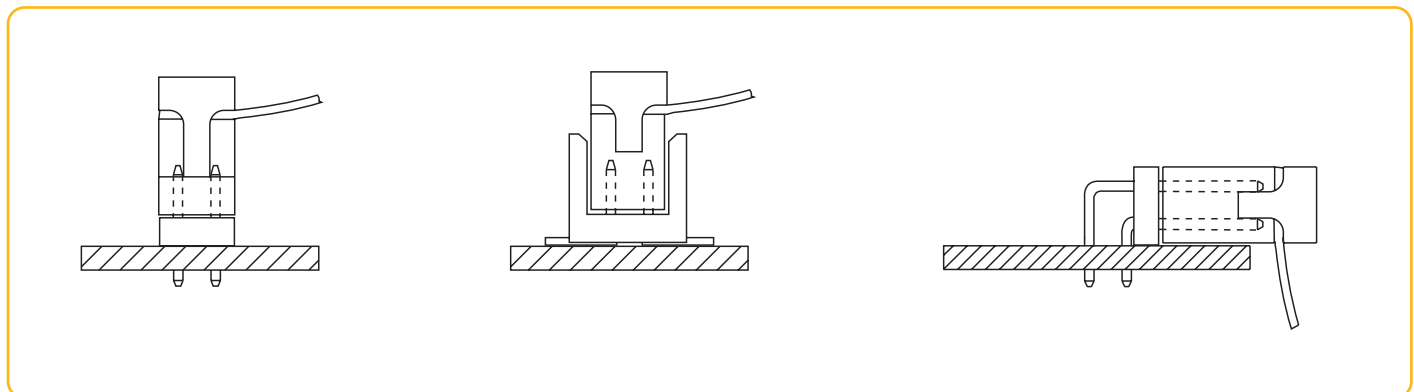
INSERTION DEPTH

- 2.55 mm min. to 4.57 mm max.
[provides .381 mm wipe]

RoHS INFORMATION

This product is RoHS compatible according to the European Union Directive 2002/95/IEC

TYPICAL APPLICATIONS



PART NUMBER



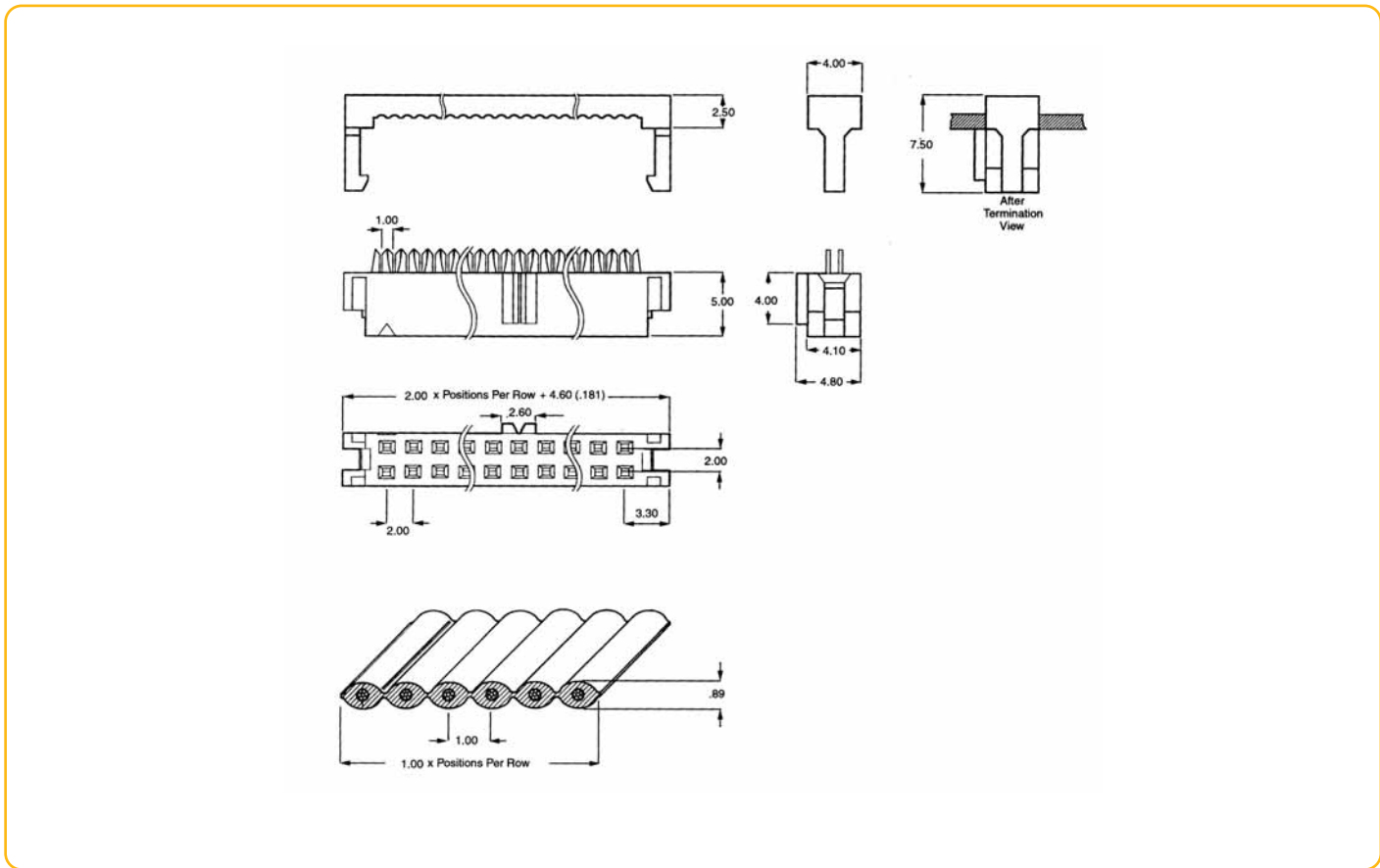
06 to 50

- 3 = Standard (Center Key)
- 1 = None
- 7 = Latching for Shrouded Header

89947 = 0,76 μm (30 μ) Gold
 89361 = 0,20 μm (8 μ) Gold

89361 - 3XXLF
PRIORITY PART

XX = 06 - 20



Dimensions in mm

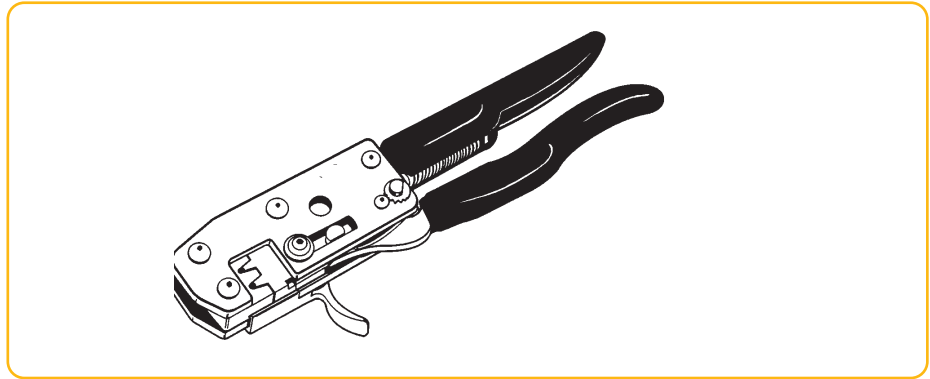
2.00 mm (.079")



DUBOX™ CONTACT

HAND TOOL HT 234

- Simple and reliable
- Low operation force
- Lightweight hand tool
- Contains two toolings (AWG 22-24, AWG 26-30)



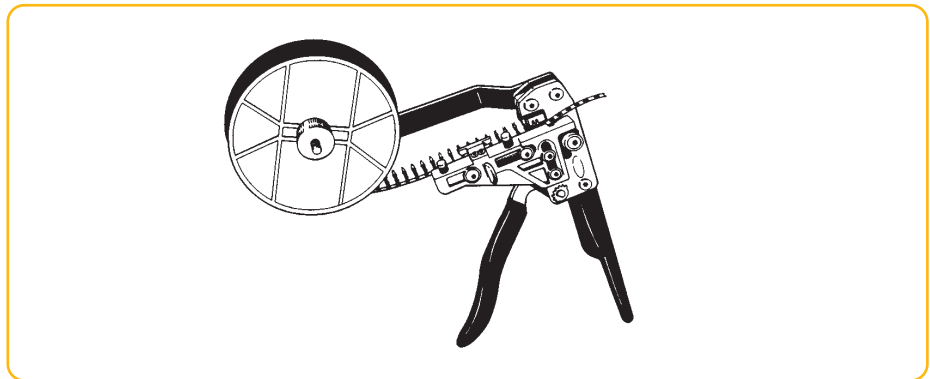
ORDERING DATA

For use with Dubox™ contacts, loose piece

Part number	76357-x01	AWG 22-24/26-30	HT 234
-------------	-----------	-----------------	---------------

HAND TOOL HT 250 / HT 251

- Simple and reliable
 - Low operation force
 - Lightweight hand tool
 - Reel fed
 - Seperate toolings:
 - HT 250 for AWG 22-24
 - HT 251 for AWG 26-30
- For use with Dubox™ contacts, on reel



ORDERING DATA

For use with Dubox™ contacts, on reel

Part number	76347-x03	AWG 22-24	HT 250
Part number	76347-x03	AWG 26-30	HT 251

Application rate/hour	500 (depending on operator dexterity)
Weight	1 kg
Dimensions (h x w)	305 x 230 mm

DUBOX™ CONTACT

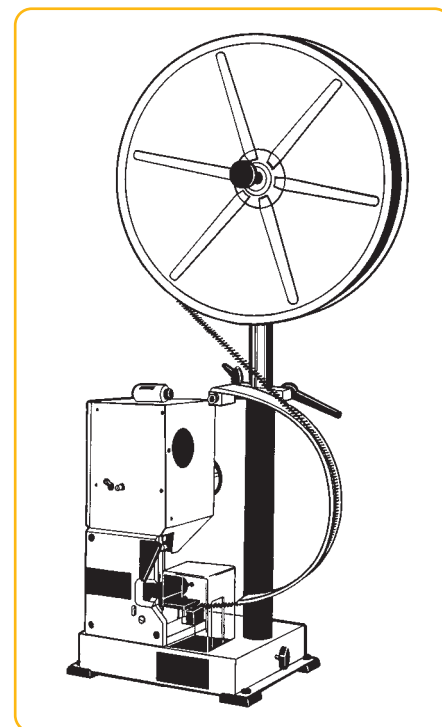
STRIPPER-CRIMPER DX 271

- ▶ Simple operation
- ▶ High speed crimping
- ▶ Strips and crimps the wire in one operation
- ▶ Lightweight construction
- ▶ Pneumatically operated
- ▶ Adjustable tooling
- ▶ High quality results

ORDERING DATA

DX 271 Press & Tooling	AWG 24-26	191230-01
Tooling Kit	AWG 24-26	193830-01
Tooling Kit, small insulation	AWG 20-22	193830-02
Tooling Kit, small insulation	AWG 28-32	193830-03
DX 271 Press only		191000-00

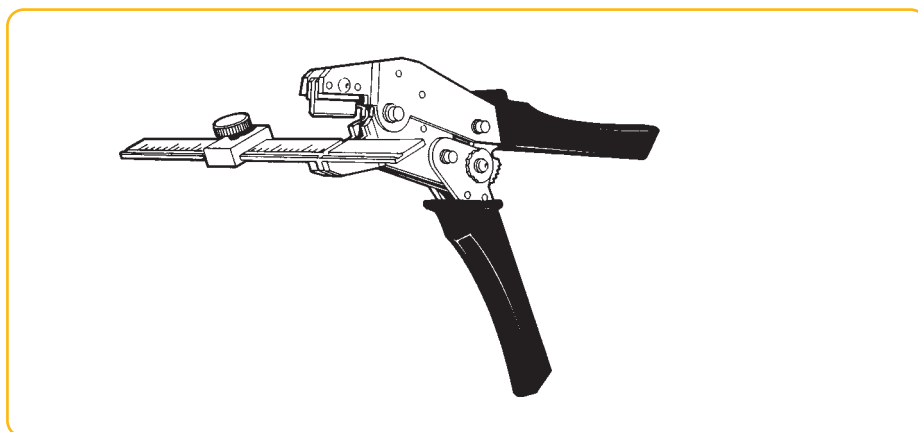
Application rate/hour	1800 (depending on operator dexterity)
Weight	32 kg
Dimensions (h x w x d)	980 x 600 x 400 mm
Working height above table	85 mm
Air consumption / min.	61 NI
Air pressure	5-6 Bar



BergStik® HEADER

CUTTING TOOL HT 320

- ▶ Simple and reliable
- ▶ Low operation force
- ▶ Lightweight hand tool



ORDERING DATA

For use with BergStik® Headers

Part number 77311, 77313, 77315, 77317

HT 320



MINITEK™ CONTACT

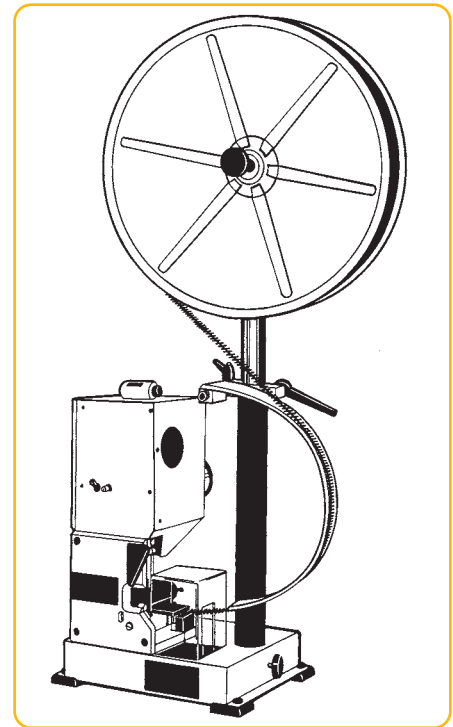
STRIPPER-CRIMPER MK 271

- Simple and reliable
- High speed crimping
- Strips and crimps the wire in one operation
- Lightweight construction
- Pneumatically operated
- Adjustable tooling
- High quality results

ORDERING DATA

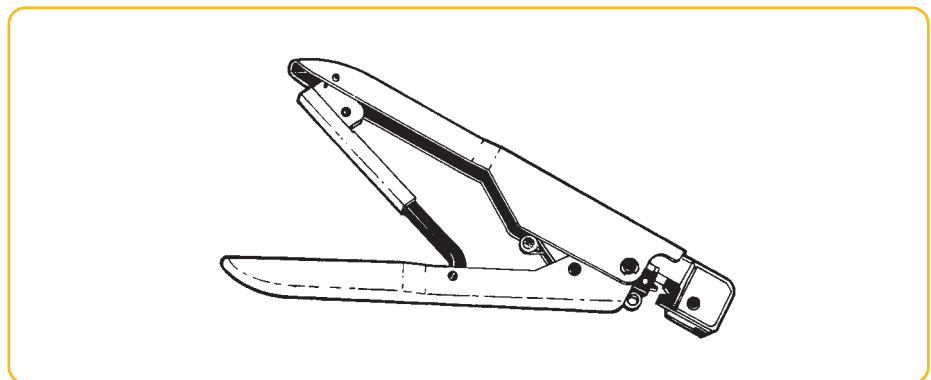
MK 271 Press & Tooling	AWG 26-30	193315-01
Tooling Kit	AWG 26-30	193317-01
DX 271 Press only		193316-01

Application rate/hour	1500 (depending on operator dexterity)
Weight	32 kg
Dimensions (h x w x d)	980 x 600 x 400 mm
Working height above table	85 mm
Air consumption / min.	61 NI
Air pressure	5-6 Bar



HAND TOOL HT 151 / HT 152

- Lightweight hand tool
- Rugged
- Ratched-action handle assures complete crimp cycle



ORDERING DATA

For use with Dubox™ contacts, on reel

	AWG 26-30	HT 151
	AWG 32-36	HT 152

DUBOX™ CONTACT

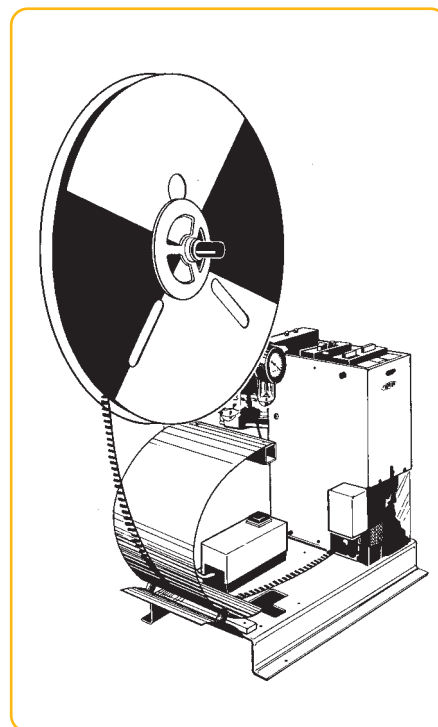
STRIPPER-CRIMPER DX 271

- ▲ Simple operation
- ▲ Reliable
- ▲ Pneumatically operated
- ▲ Low maintenance cost
- ▲ High quality results

ORDERING DATA

MK 411 Press & Tooling	AWG 26-30	194294-01
MK 411 Press & Tooling	AWG 32-36	194294-02

Application rate/hour	1800 (depending on operator dexterity)
Weight	25 kg
Dimensions (h x w x d)	710 x 560 x 400 mm
Working height above table	110 mm
Air consumption / min.	28 NI
Air pressure	5-6 Bar
Electrical requirements	220-240V, 50Hz, 0,5A





PV™ CONTACT

APPLICATION TOOLING

■ PV™-250A Semi-automatic Crimping

- Easy to use
- Pneumatically operated
- Low cost
- Estimated 1000 crimps per hour

■ Machine Part Number

- 107416-101 (18-20AWG)
- 107416-102 (22-26AWG)
- 107416-103 (28-32AWG)

■ OL-740 Semi-automatic Two Ton Bench Press

- Uses quick-changing, adjustable crimping applicators for different terminals and wire sizes
- Most rugged construction
- Easy to use
- Electrically operated
- Estimated 2400 crimps per hour

■ Machine Part Number

- 133911-102
(does not include applicator)

■ Applicator Tooling Part Numbers

- 133867-104 (18-20AWG)
- 133867-105 (22-26AWG)
- 133867-106 (28-32AWG)

■ Ratcheting Hand Crimping Tool

■ Part Number

- HT-0073 (for 18-20 AWG Wire)
- HT-0096 (for 22-32 AWG Wire)
- HT-0112 (for 32-36 AWG Wire)

■ PV™ Contact Removable Tool

■ Part Number

- HT-0080

BASE PART NUMBER	PAGE	BASE PART NUMBER	PAGE
48045	41	72454	47
48046	41	75543	41
48047	41	75867	45
48048	41	75869	45
48049	41	75915	25
48050	41	76341	27
48051	41	76342	27
48052	41	76347	35
48231	41	76357	35
55508	61	76382	33
55510	61	76383	33
57102	55	76384	33
57202	55	76385	33
59112	59	77138	69
59132	59	77139	69
59202	59	77311	11
63429	23	77313	11
63453	61	77315	17
65039	43	77317	17
65043	43	78207	39
65239	37	78208	39
65240	37	78211	43
65846	43	86730	63
67996	13, 15	87606	25
67997	13, 15	89361	71
68000	13, 15	89882	31
68001	13, 15	89883	31
68002	13, 15	89891	25
68015	19	89898	29
68016	19	89947	71
68020	19	90311	69
68021	19	91596	61
68602	13, 15	91601	29
68786	23	91614	29
69145	23	91615	29
69167	39	91618	29
69168	39	95278	11
69307	69	95293	11
69830	53	98401	11
71600	51	98414	65
71607	31	98423	57
71609	31	98424	65
71918	49	98464	67
71920	25	10056844	47
71922	49	10056845	47
71991	27		

For more information about e-catalog or FCI
sales offices, headquarters, agents and local distributors,
visit www.fciconnect.com



Americas - Phone: 1 (800) 237 2374 ■ Europe - Phone: 33 1 39 49 21 83 ■ Asia/Pacific- Phone: 65 6549 6666