

DD-5-M-Low lens for Sharp GM2BB... (Double Dome) LEDs



- Lens material optical grade PMMA with high UV and temperature resistance (105°C/220°F)
- High optical efficiency, >85%
- No lens holder. Snap-fitting of the lens to customer's heat sink. Please contact us for detailed mounting information
- Diameter 35.6 mm (MR11)



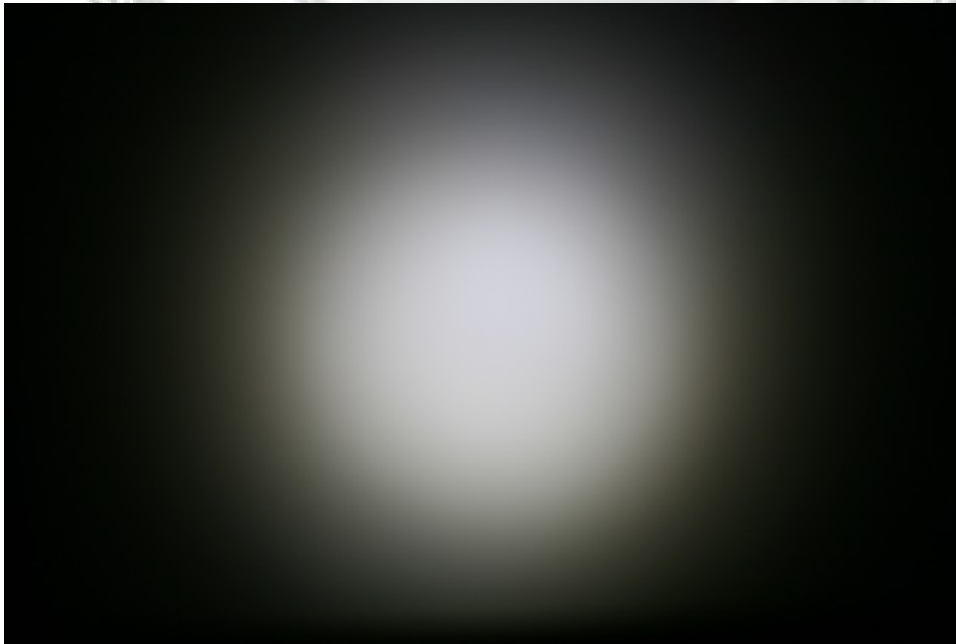
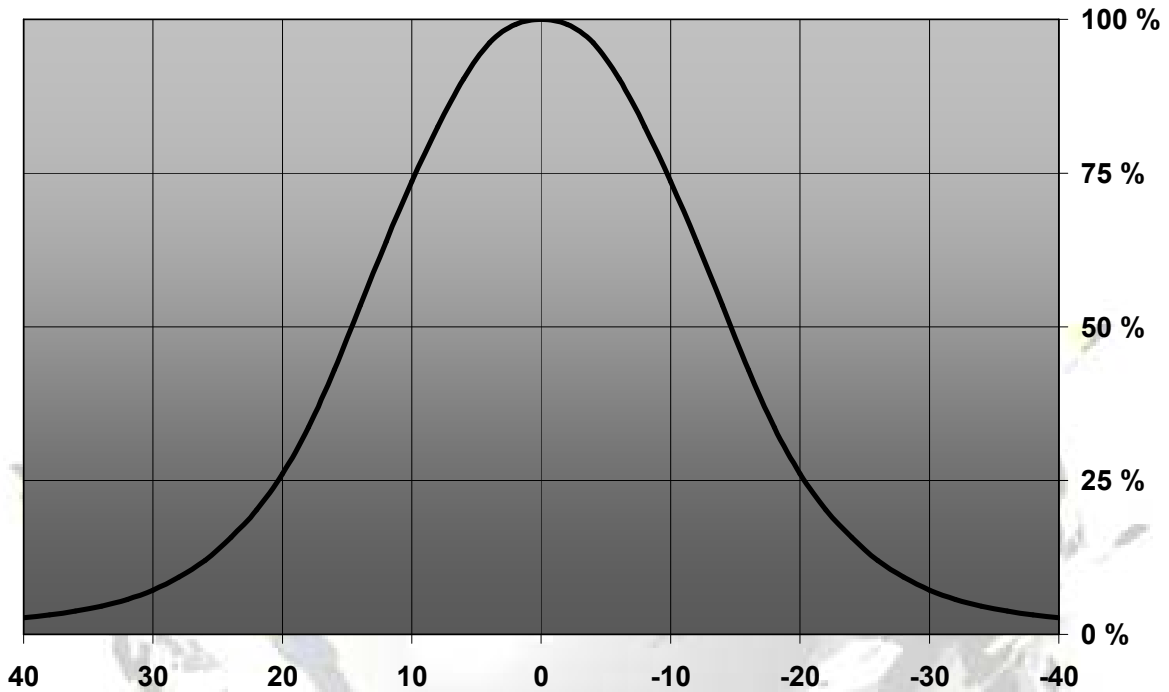
SHARP.

LENS TYPES

NAME	ORDERING CODE	FWHM Angle
DD-5 Medium Low	C10472_DD-5-M-Low	±14°

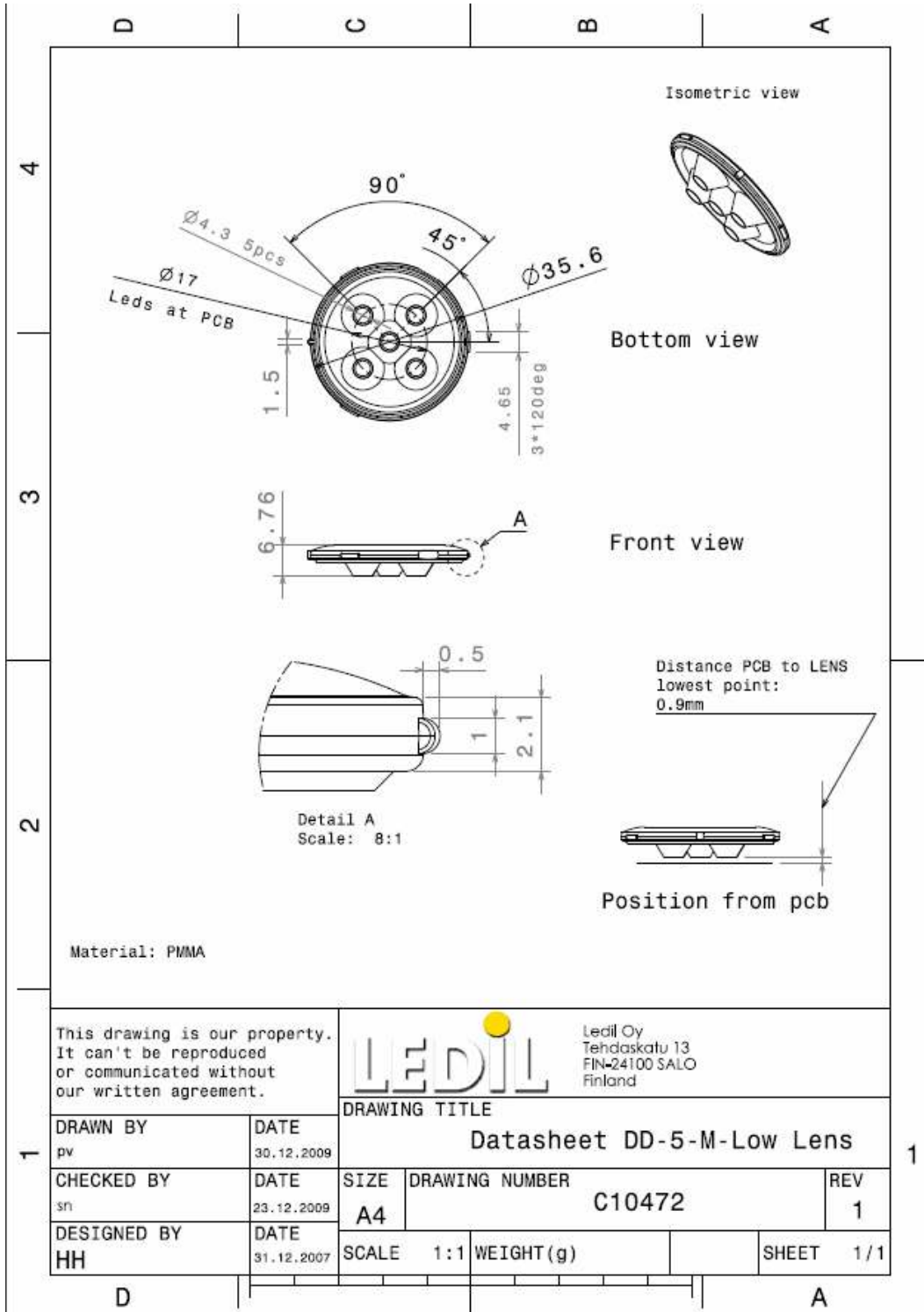
MEASUREMENT DATA & PHOTOGRAPHS

Relative Intensity of C10472_DD-5-M-Low



© Ledil Oy – PRELIMINARY - Subject to change without prior notice

DRAWING



© Ledil Oy – PRELIMINARY - Subject to change without prior notice