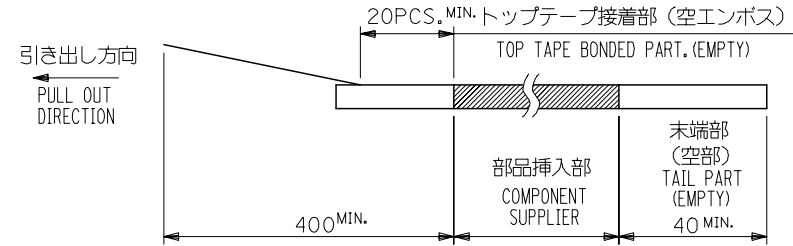
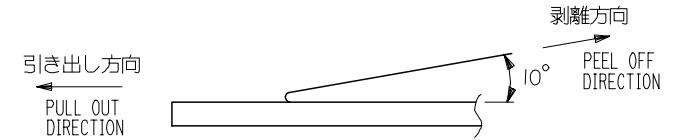


NOTES

- 梱包数量：1000個/リール
NUMBER OF CONNECTORS : 1000PCS/REEL
- リードテープ長さ LEAD TAPE LENGTH



- トップテープの剥離強度：0.1N ~ 1.3N(10gf ~ 130gf)
(剥離方向は下図参照)
尚、本規格値は出荷時に適用。(但し、輸送時に剥離が発生しないこと。)
PEELING OFF FORCE OF TOP TAPE : 0.1N ~ 1.3N(10gf ~ 130gf)
(PEELING DIRECTION AS SHOWN IN FOLLOWING FIG.)
THIS REQUIREMENT SHOULD BE APPLIED AT SHIPMENT.
PEEL OFF SHOULD NOT BE ALLOWED , DURING TRANSPORTATION.



- 材料(MATERIAL)
キャリアテープ(CARRIER TAPE)：ポリプロピレン(POLYPROPYLENE)
トップテープ(TOPTAPE)：PET, PE, PEF
リール(REEL)：ポリスチレン (PS) <リサイクル材を含む>
POLYSTYREN(PS) <RECYCLE MATERIAL CONTAINED>

- 本製品は 52975-**-92 の鉛フリー品である。
THIS PRODUCT IS LEAD FREE OF 52975-**-92

52975-**-83 MODEL NO.

REVISED EC NO: J2006-1243 DRWN: MUKEDA 2005/10/18 CHKD: KTOYODA 2005/10/19 APPR: NUKITA 2005/10/27	GENERAL TOLERANCES (UNLESS SPECIFIED)		DIMENSION STYLE MM ONLY	SCALE ---	DESIGN UNITS METRIC	THIRD ANGLE PROJECTION
	10 UNDER	±0.2	DRAWN BY H. SHIMABUKUR	DATE 2004/02/09	TITLE 0.5 FFC/FPC CONN NON-ZIF HSG ASSY EMBSTP PKG -LEAD FREE-(UPR CONT)	
	10 OVER 30 UNDER	±0.25	CHECKED BY K. TOJO	DATE 2004/02/09	MOLEX INCORPORATED	
	30 OVER	±0.3	APPROVED BY M. SASAO	DATE 2004/02/09	DOCUMENT NO. SD-52975-013	SHEET NO. 1 OF 2
	ANGULAR	±3 °	MATERIAL NO. SEE CHART			
A	DRAFT WHERE APPLICABLE MUST REMAIN WITHIN DIMENSIONS		SIZE A3	THIS DRAWING CONTAINS INFORMATION THAT IS PROPRIETARY TO MOLEX INCORPORATED AND SHOULD NOT BE USED WITHOUT WRITTEN PERMISSION		

10 9 8 7 6 5 4 3 2 1

F

E

D

C

B

A

F

E

D

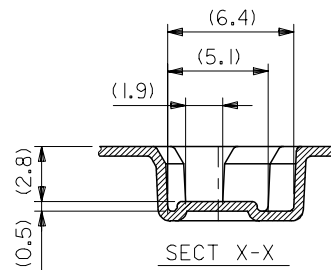
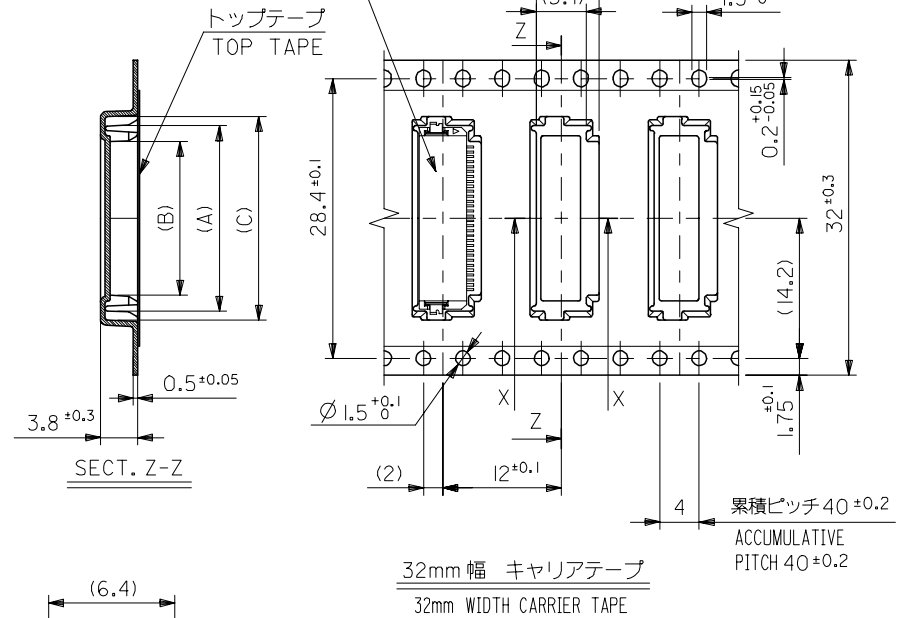
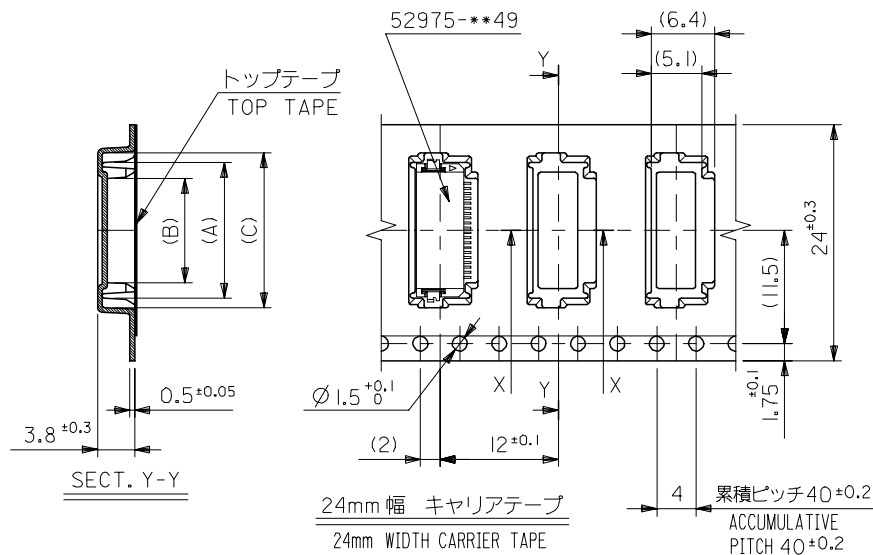
C

B

A

引き出し方向
PULL OUT DIRECTION

引き出し方向
PULL OUT DIRECTION

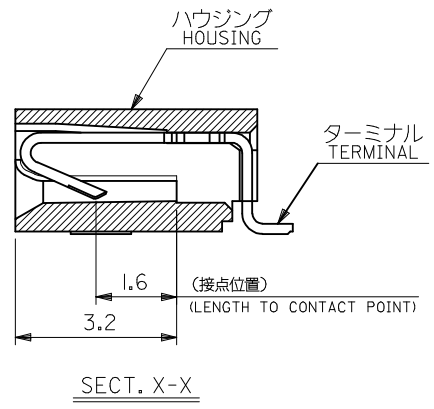
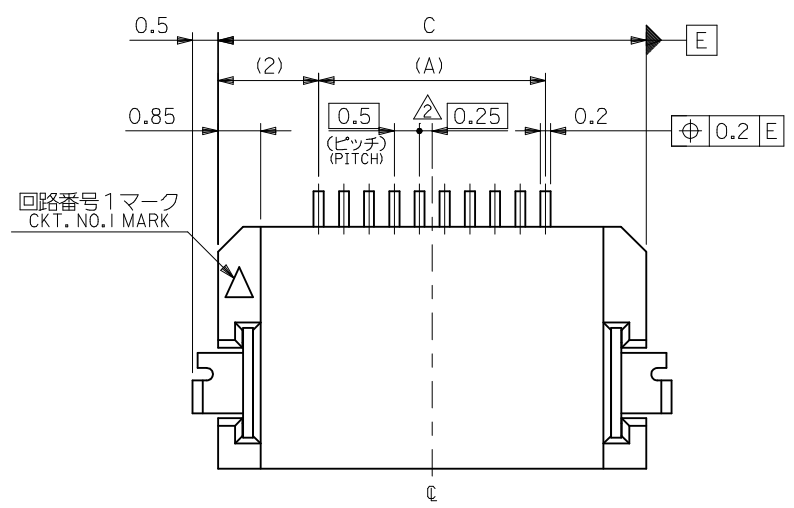


32	37.4	33.4	13.6	18.7	16.8	52975-2683	26
			12.6	17.7	15.8	52975-2483	24
			11.1	16.2	14.3	52975-2183	21
			10.1	15.2	13.3	52975-1983	19
			9.6	14.7	12.8	52975-1883	18
			9.1	14.2	12.3	52975-1783	17
			8.6	13.7	11.8	52975-1683	16
			8.1	13.2	11.3	52975-1583	15
			7.1	12.2	10.3	52975-1383	13
			6.6	11.7	9.8	52975-1283	12
24	29.4	25.4	6.1	11.2	9.3	52975-1183	11
			5.6	10.7	8.8	52975-1083	10
			5.1	10.2	8.3	52975-0983	9
			4.6	9.7	7.8	52975-0883	8
			4.1	9.2	7.3	52975-0783	7
			3.6	8.7	6.8	52975-0683	6

キャリアテープ幅 CARRIER TAPE WIDTH E D (C) (B) (A) MATERIAL. NO. 極数 CKT.

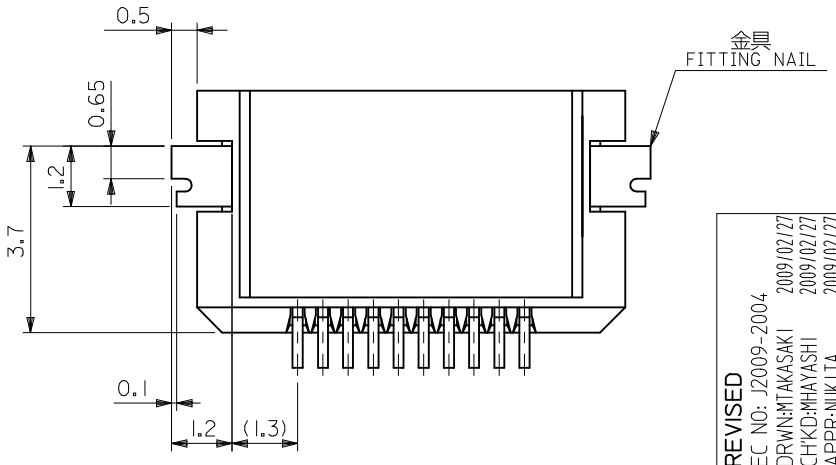
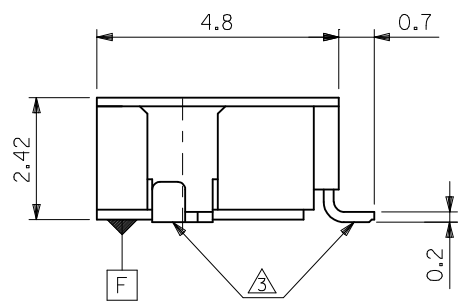
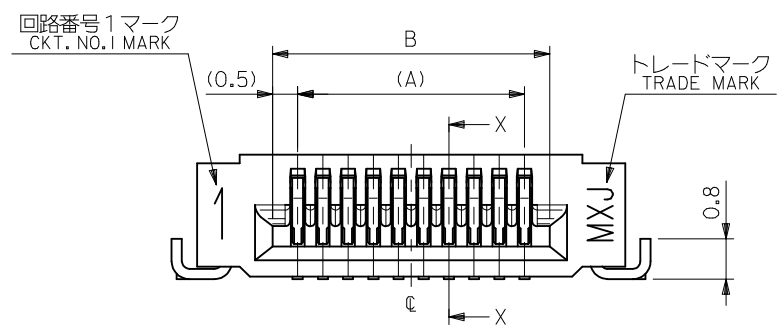
REVISED EC NO: J2006-1243 DRW: NUKEDA 2005/10/18 CHK: KATOYODA 2005/10/19 APP: NUKITA 2005/10/27	GENERAL TOLERANCES (UNLESS SPECIFIED)		DIMENSION STYLE MM ONLY	SCALE ---	DESIGN UNITS METRIC	THIRD ANGLE PROJECTION
	10 UNDER	±0.2	DRAWN BY H. SHIMABUKUR	DATE 2004/02/09	TITLE 0.5 FFC/FPC CONN NON-ZIF HSG ASSY EMBSTP PKG -LEAD FREE-(UPR CONT)	
	10 OVER 30 UNDER	±0.25	CHECKED BY K. TOJO	DATE 2004/02/09	MOLEX INCORPORATED	
	30 OVER	±0.3	APPROVED BY M. SASAO	DATE 2004/02/09	MATERIAL NO. SEE CHART	
	ANGULAR	±3 °	DRAFT WHERE APPLICABLE MUST REMAIN WITHIN DIMENSIONS		DOCUMENT NO. SD-52975-013	SHEET NO. 2 OF 2

52975-***83 MODEL NO.



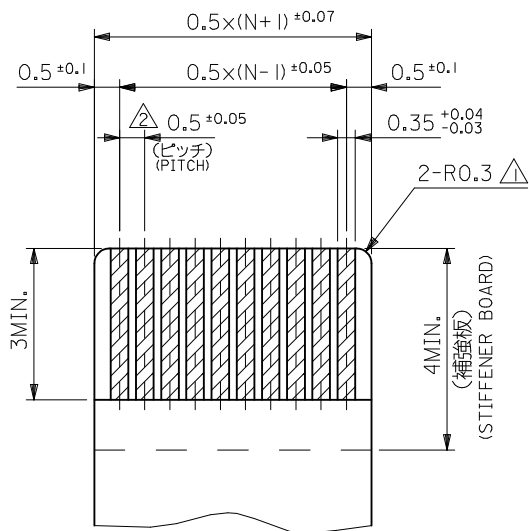
注記 NOTES

- 材質 MATERIAL
 ハウジング: PPHS, UL94V-0
 HOUSING: PPHS, UL94V-0
 ターミナル: リン青銅 (t=0.2)、ニッケル下地 鍍ビスマスメッキ
 TERMINAL: PHOS-BRO.(t=0.2), TIN-BISMUTH OVER NICKEL PLATING
 金具: リン青銅 (t=0.2)、ニッケル下地 鍍メッキ
 FITTING NAIL: PHOS-BRO.(t=0.2), TIN OVER NICKEL PLATING
 偶数極に適用。
 APPLY FOR EVEN CIRCUIT.
 ソルダータール半田付け面及び金具半田付け面のズレ量は、基準面 [F] に対し、上方向 0.1 MAX. 下方向 0.15MAX. とする。
 MISALIGNMENT OF SOLDER TAILS AND FITTING NAILS FROM [F] : UPPER DIRECTION 0.1 MAX. ; LOWER DIRECTION 0.15MAX.
- 本製品は 52975-**-40 の鉛フリー品である。
 THIS PRODUCT IS LEAD FREE OF 52975-**-40

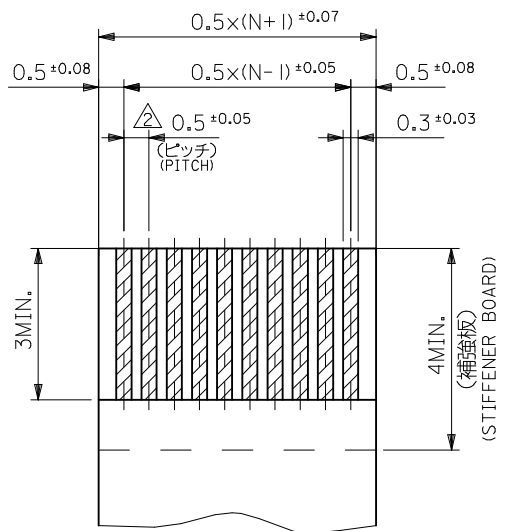


16.5	13.5	12.5	52975-2683	52975-2649	26
15.5	12.5	11.5	-2483	-2449	24
14.0	11.0	10.0	-2183	-2149	21
13.0	10.0	9.0	-1983	-1949	19
12.5	9.5	8.5	-1883	-1849	18
12.0	9.0	8.0	-1783	-1749	17
11.5	8.5	7.5	-1683	-1649	16
11.0	8.0	7.0	-1583	-1549	15
10.0	7.0	6.0	-1383	-1349	13
9.5	6.5	5.5	-1283	-1249	12
9.0	6.0	5.0	-1183	-1149	11
8.5	5.5	4.5	-1083	-1049	10
8.0	5.0	4.0	-0983	-0949	9
7.5	4.5	3.5	-0883	-0849	8
7.0	4.0	3.0	-0783	-0749	7
6.5	3.5	2.5	52975-0683	52975-0649	6

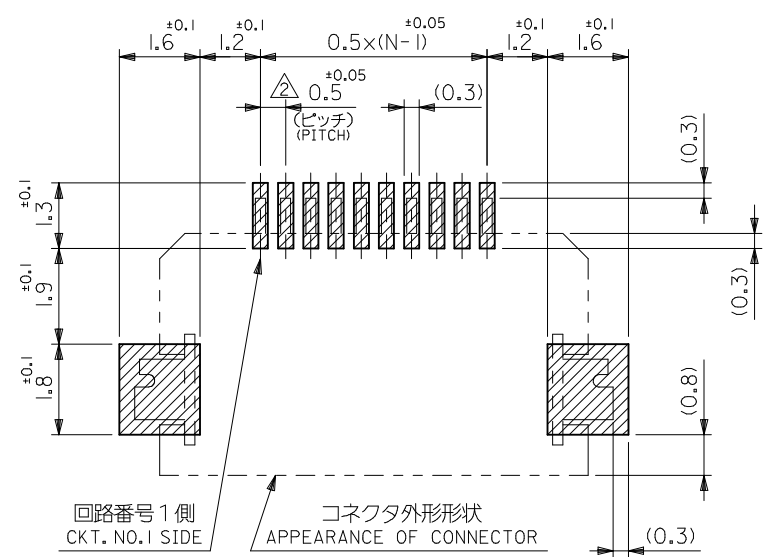
REVISED EC NO: J2009-2004 DRWN: MTAKASAKI 2009/02/27 CHKD: HAYASHI 2009/02/27 APPR: NUKITA 2009/02/27	52975-**-49	MODEL NO.	DIMENSION STYLE MM ONLY		SCALE ---	DESIGN UNITS METRIC	THIRD ANGLE PROJECTION
	GENERAL TOLERANCES (UNLESS SPECIFIED)		DRAWN BY H. SHIMABUKUR	DATE 2004/02/09	TITLE 0.5 FFC/FPC CONN. NON-ZIF HSG ASSY (UPR CONT) -LEAD FREE-		
	10 UNDER ±0.2	10 OVER 30 UNDER ±0.25	CHECKED BY K. TOJO	DATE 2004/02/09	APPROVED BY M. SASAO		
	30 OVER ±0.3	ANGULAR ±3 °	DATE 2004/02/09	MATERIAL NO. SEE TABLE		DOCUMENT NO. SD-52975-014	SHEET NO. 1 OF 2
DRAFT WHERE APPLICABLE MUST REMAIN WITHIN DIMENSIONS		THIS DRAWING CONTAINS INFORMATION THAT IS PROPRIETARY TO MOLEX INCORPORATED AND SHOULD NOT BE USED WITHOUT WRITTEN PERMISSION					



適合FPC推奨寸法
 APPLICABLE FPC
 RECOMMENDED DIMENSION
 (仕上がり厚さ: 0.3±0.03)
 (THICKNESS: 0.3±0.03)



適合FFC推奨寸法
 APPLICABLE FFC
 RECOMMENDED DIMENSION
 (仕上がり厚さ: 0.3±0.03)
 (THICKNESS: 0.3±0.03)



参考基板レイアウト
 REFERENCE P.C.BOARD
 PATTERN DIMENSION
 (マウント面)
 (MOUNTING SIDE)

注記 NOTES

- △ R0.3 は、FPCの導体部にかからないこと。
 R0.3 MUST NOT BE OVERLAPPED TO PATTERN OF FPC.
- △ 公差非累積のこと。
 NON-ACCUMULATIVE.
- 3 FPCについて:
 打抜き方向は導体側から補強板を推奨致します。
 補強フィルム材質はポリイミドを推奨致します。
 接着剤は熱硬化接着剤を推奨致します。
- ABOUT FPC:
 RECOMMENDED PUNCHER DIRECTION: FROM CONDUCTOR SIDE TO STIFFENER BOARD SIDE.
 RECOMMENDED MATERIAL:
 STIFFENER FILM: POLYIMIDE
 BONDING AGENT: THERMOSETTING BONDING AGENT

52975-**-49 MODEL NO.

REVISED EC NO: J2009-2004 DRWN: TAKASAKI 2009/02/27 CHKD: HAYASHI 2009/02/27 APPR: NUKITA 2009/02/27	GENERAL TOLERANCES (UNLESS SPECIFIED)		DIMENSION STYLE MM ONLY		SCALE ---	DESIGN UNITS METRIC	THIRD ANGLE PROJECTION
	10 UNDER	± 0.2	DRAWN BY H. SHIMABUKUR	DATE 2004/02/09	TITLE 0.5 FFC/FPC CONN. NON-ZIF HSG ASSY (UPR CONT) -LEAD FREE-		
	10 OVER 30 UNDER	± 0.25	CHECKED BY K. TOJO	DATE 2004/02/09	APPROVED BY M. SASAO 2004/02/09		
	30 OVER	± 0.3	APPROVED BY M. SASAO 2004/02/09		MATERIAL NO. SEE SHEET 1		
ANGULAR ± 3 °		DRAFT WHERE APPLICABLE MUST REMAIN WITHIN DIMENSIONS		DOCUMENT NO. SD-52975-014		SHEET NO. 2 OF 2	
THIS DRAWING CONTAINS INFORMATION THAT IS PROPRIETARY TO MOLEX INCORPORATED AND SHOULD NOT BE USED WITHOUT WRITTEN PERMISSION							