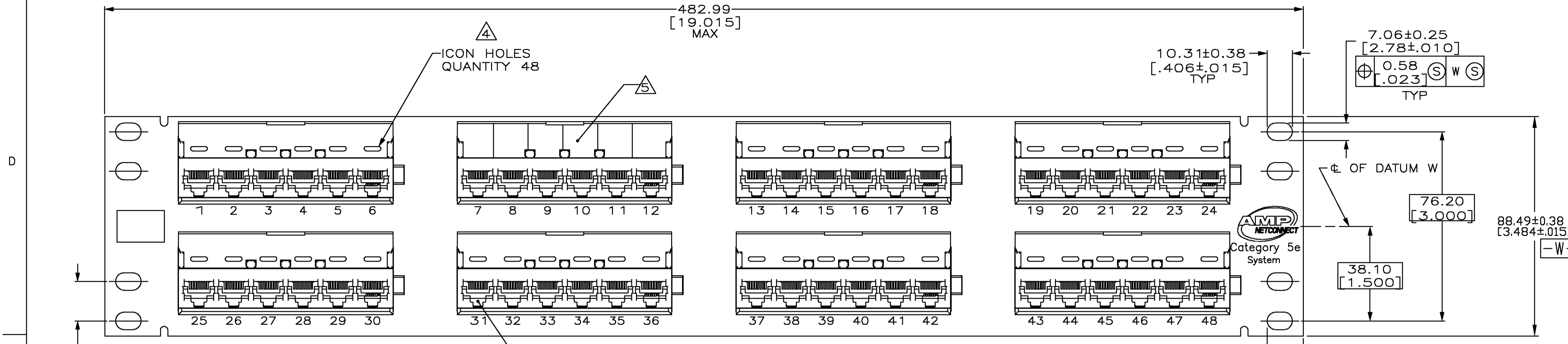
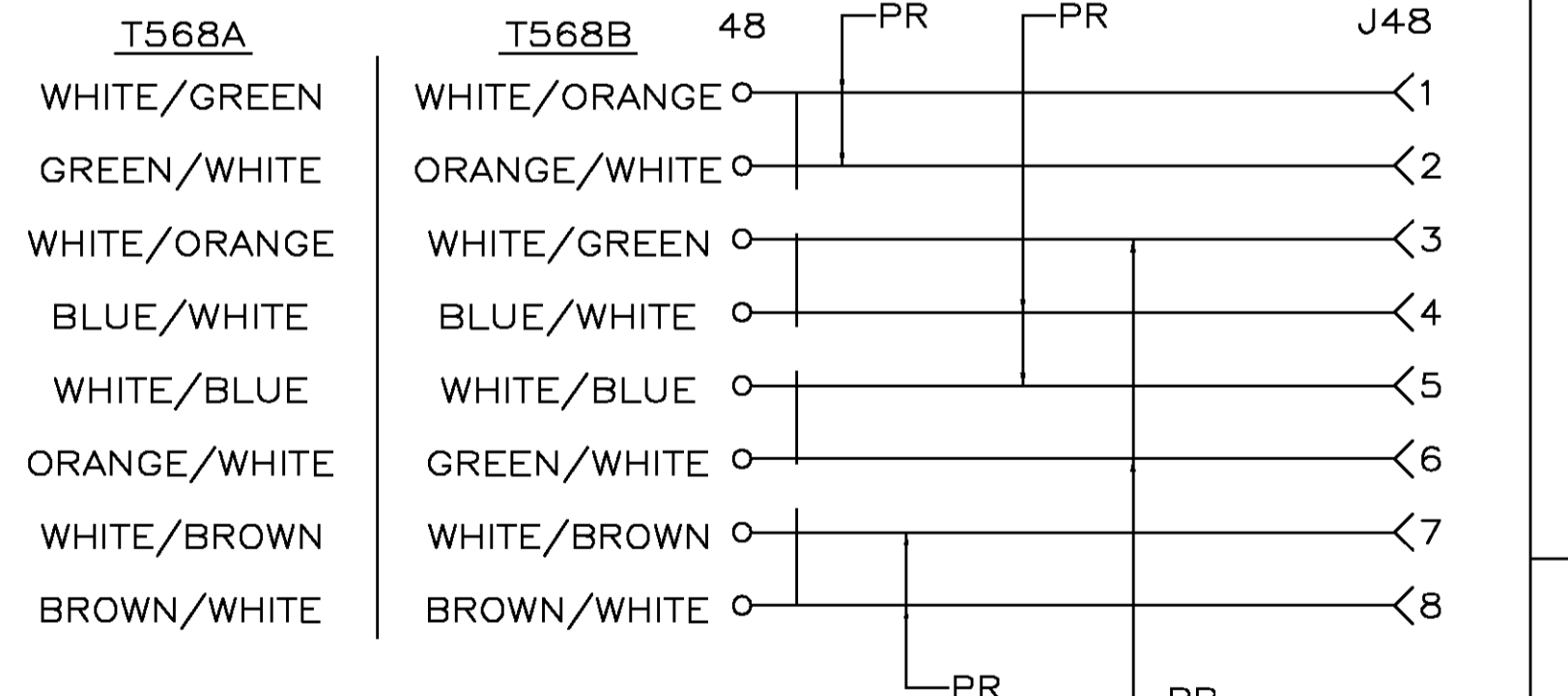
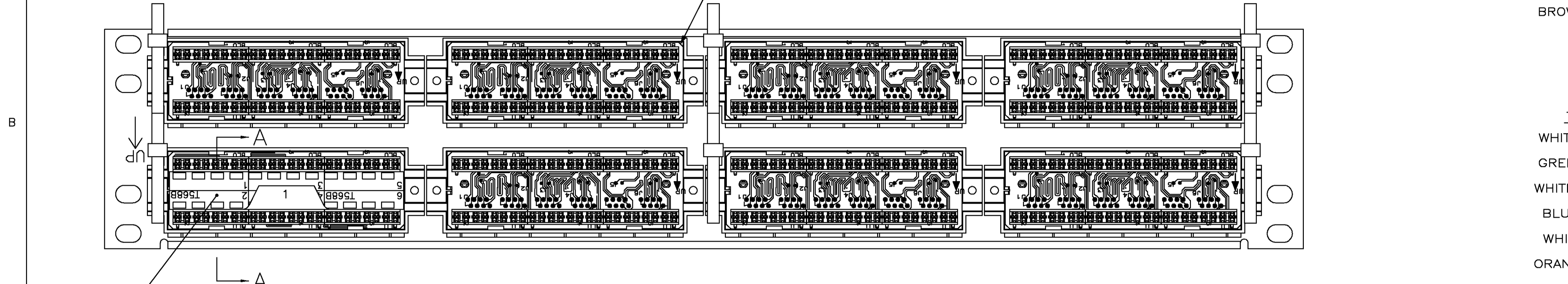
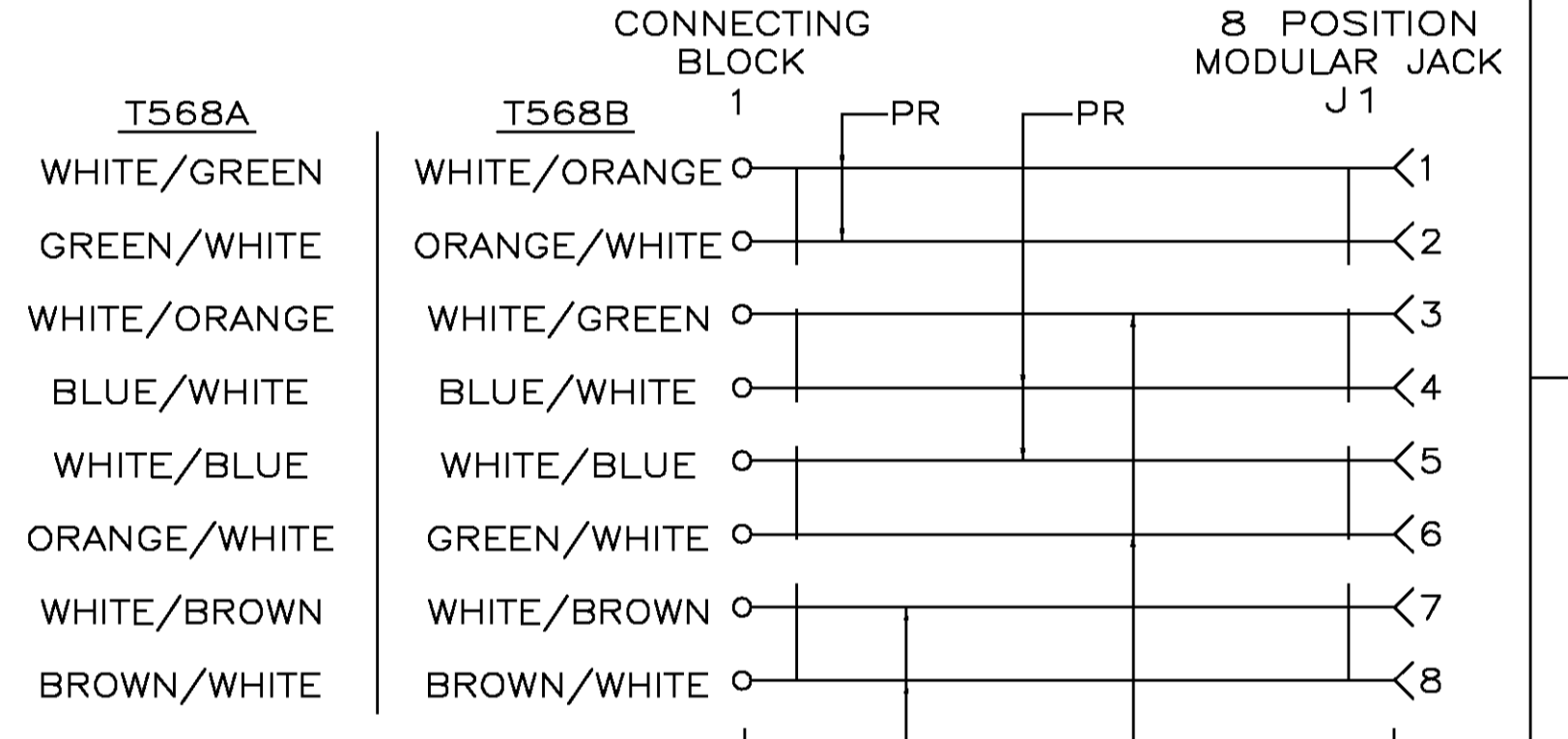
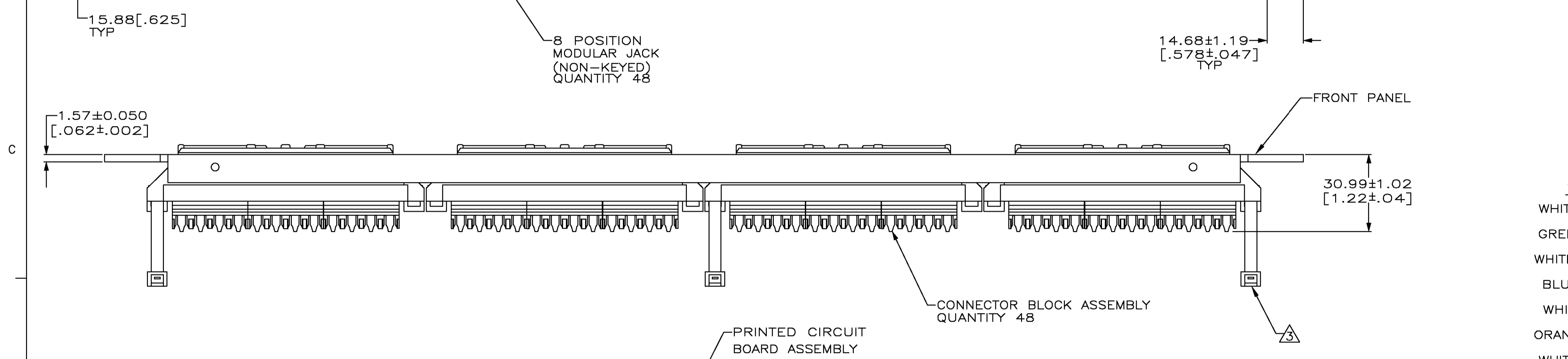


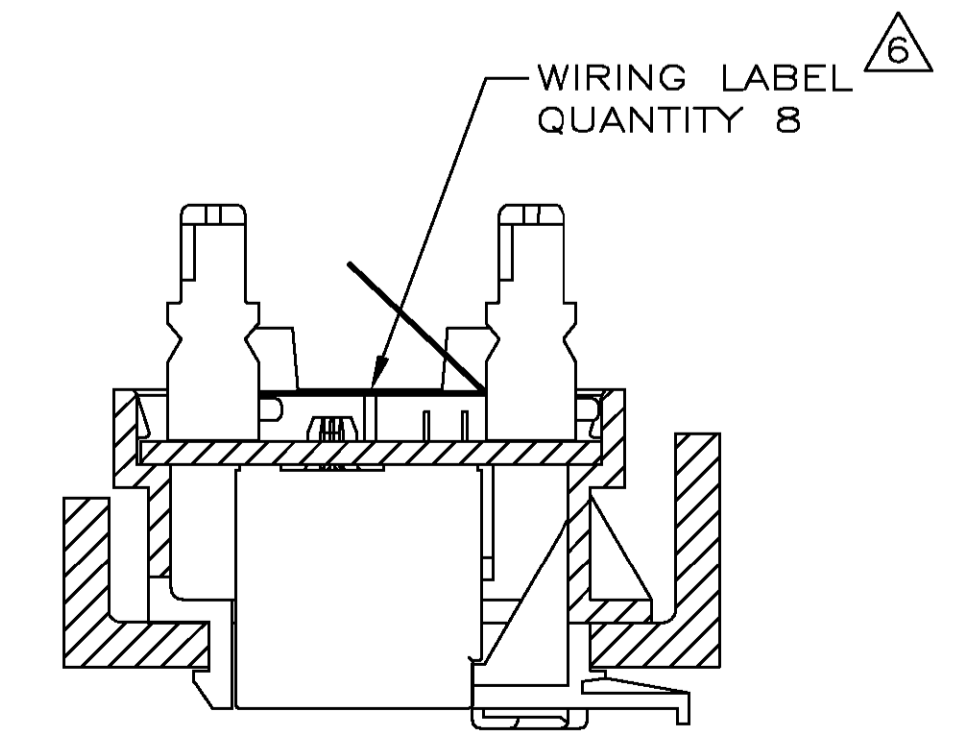
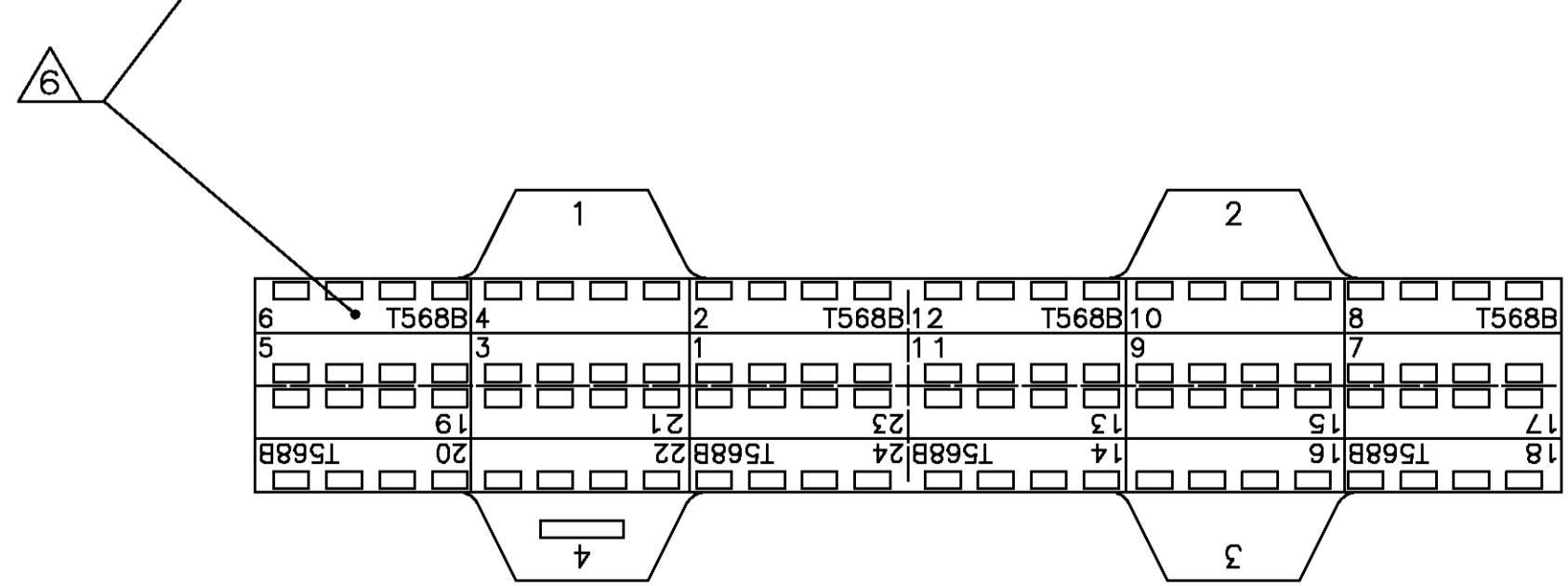
LOC	DIST	REVISIONS			
P	LR	DESCRIPTION	DATE	DRN	APPD
D		REDWN & REV; EC 0840-0178-00	14AUG00	LH	SH



- 1 MATERIAL: PANEL - BLACK POWDER COAT STEEL WITH WHITE MARKINGS. PRINTED CIRCUIT BOARD - LAMINATED PLASTIC SUBSTRATE, 1.57[.062] THICK.
- 2 FOUR BLACK 12-24 X 12.7[.500] LONG AND FOUR 10-32 X 12.7[.500] LONG CARBON STEEL CROSS RECESSED SCREWS FOR MOUNTING OF PANEL SHIPPED LOOSE. NOT SHOWN ON DRAWING.
- 3 SIX RELEASEABLE CABLE TIES, SHOWN ASSEMBLED, USED FOR CABLE ORGANIZATION/ROUTING ARE SHIPPED LOOSE.
- 4 ICONS MAY BE PURCHASED SEPARATELY.
- 5 ONE SHEET OF BEZEL LABELS AND TWO SHEETS OF CLEAR LABEL COVERS ARE SHIPPED LOOSE. ONE LABEL SHOWN INSTALLED AT LOCATION INDICATED.
- 6 TWO SHEETS OF FOUR 110 CONNECTOR UNIVERSAL WIRING LABELS ARE SHIPPED LOOSE. ONE SIDE IS FOR T568A WIRING AND THE OPPOSITE SIDE FOR T568B WIRING. ONE LABEL SHOWN INSTALLED AT LOCATION INDICATED.



ELECTRICAL SCHEMATIC  
T568A OR T568B



THIS DRAWING IS A CONTROLLED DOCUMENT.		DRN L HALL 14AUG00	406331-1 PART NUMBER
DIMENSIONS: MM [INCHES]		CHK S. HERNDON 14AUG00	AMP Incorporated Harrisburg, PA 17105-3608
TOLERANCES UNLESS OTHERWISE SPECIFIED:		APPD S. HERNDON 14AUG00	PANEL ASSEMBLY, 48 PORT, RJ45, UNIVERSAL WIRING, CATEGORY 5, ENHANCED
0 PLC ±	1 PLC ±	NAME	RESTRICTED TO
2 PLC ±	3 PLC ±	APPLICATION SPEC	SIZE CASE CODE DRAWING NO
4 PLC ±	ANGLES ±	WEIGHT	A1 00779 C=406331
MATERIAL	FINISH	CUSTOMER DRAWING	SCALE 1:1 SHEET 1 OF 1 REV D