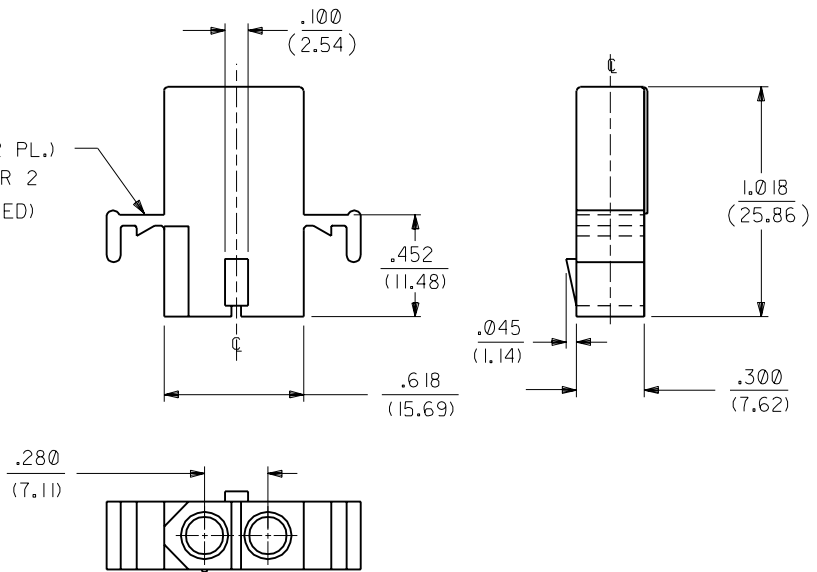


4306-R RECEPTACLE HOUSING

MOUNTING EAR (2 PL.)
SEE DETAIL 1 OR 2
(WHEN SPECIFIED)



DIMENSIONS SHOWN (METRIC) INCH

UNLESS OTHERWISE SPECIFIED
TOLERANCES: ANGULAR ± 1/2°

	INCH	METRIC
3 PLACE	± .010	---
2 PLACE	± .014	± 0.25
1 PLACE	---	± 0.35

DRAFT WHERE APPLICABLE MUST
REMAIN WITHIN DIMENSIONS

TITLE

HOUSING, 2 CIRCUIT
PLUG AND RECEPTACLE
.125/(3.18) DIA.

MOLEX INCORPORATED LISLE, ILL. 60532 U.S.A.	SHEET NO.	DATE
	2	6/4/87

PART NO. **SEE CHART** DRWG. NO. **SD-4306-***

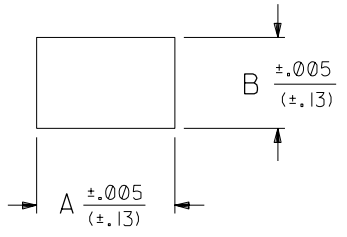
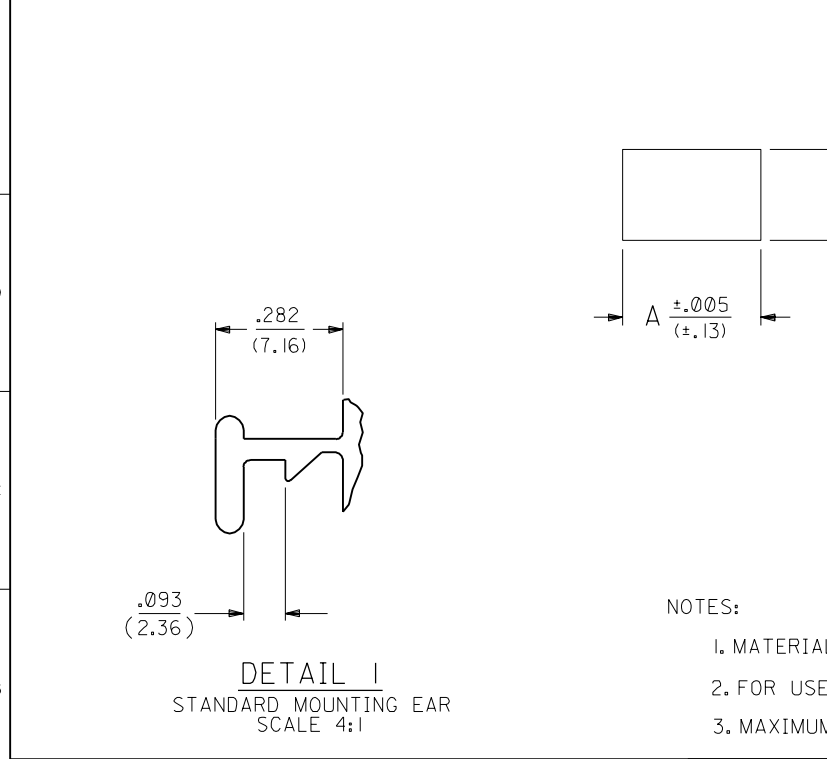
F SEE SHEET 1
E SEE SHEET 1

DRWG. BY: GEP
CHK'D. BY: RW
APP'D. BY: RAS
SCALE: 2 : 1

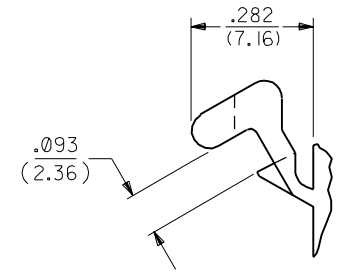
SD4306X2 DEN THIS DRAWING CONTAINS INFORMATION THAT IS PROPRIETARY TO DIV. CP SIZE B

10	9	8	7	6	5	4	3	2	1	4306
PLUG										
PART NO.	ENG. NO.	DESCRIPTION								
03-12-2021	4306-P	PLUG WITH STANDARD EARS (DETAIL 1)								
03-12-2022	4306-P1	PLUG W/O EARS								
03-12-2023	4306-PB	PLUG W/PREBENT EARS (DETAIL 2)								

10	9	8	7	6	5	4	3	2	1	4306
RECEPTACLE										
PART NO.	ENG. NO.	DESCRIPTION								
03-12-1021	4306-R	RECEPTACLE WITH STANDARD EARS (DETAIL 1)								
03-12-1022	4306-R1	RECEPTACLE W/O EARS								
03-12-1023	4306-RB	RECEPTACLE W/PREBENT EARS (DETAIL 2)								



MOUNTING PANEL OPENING		
HOUSING	DIM. "A"	DIM. "B"
PLUG	.878/(22.30)	.432/(10.97)
RECEPTACLE	.778/(19.76)	.375/(9.53)



- NOTES:
1. MATERIAL: NYLON TYPE 6/6, 94V-2, NATURAL.
 2. FOR USE WITH .125/(3.18) DIA. SERIES TERMINALS.
 3. MAXIMUM PANEL THICKNESS .090/(2.29).

				DIMENSIONS SHOWN (METRIC) INCH		▽ = 0		▼ = 0		REVISE ONLY ON CAD SYSTEM	
				UNLESS OTHERWISE SPECIFIED TOLERANCES: ANGULAR ± 1/2°		TITLE		HOUSING, 2 CIRCUIT PLUG AND RECEPTACLE			
				INCH METRIC		FILE NAME		SHEET NO.		DATE	
				3 PLACE ± .010 ---		SD4306X3		3		6 / 5 / 87	
				2 PLACE ± .014 ± 0.25		DRAWN		PART NO.		DRWG. NO.	
				1 PLACE --- ± 0.35		GEP		SEE CHART		SD-4306-*	
				DRAFT WHERE APPLICABLE MUST REMAIN WITHIN DIMENSIONS		CHK'D. BY		MOLEX INCORPORATED		THIS DRAWING CONTAINS INFORMATION THAT IS PROPRIETARY TO MOLEX INC. AND SHOULD NOT BE USED WITHOUT WRITTEN PERMISSION.	
				APP'D. BY		SCALE		LISLE, ILL. 60532 U.S.A.		DIV. CP	
				RAS		2 : 1		DEN		SIZE B	
LTR.		REVISIONS		LTR.		REVISIONS					