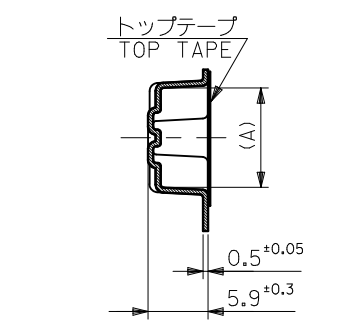
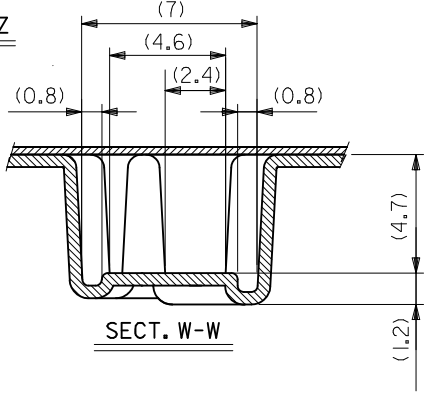
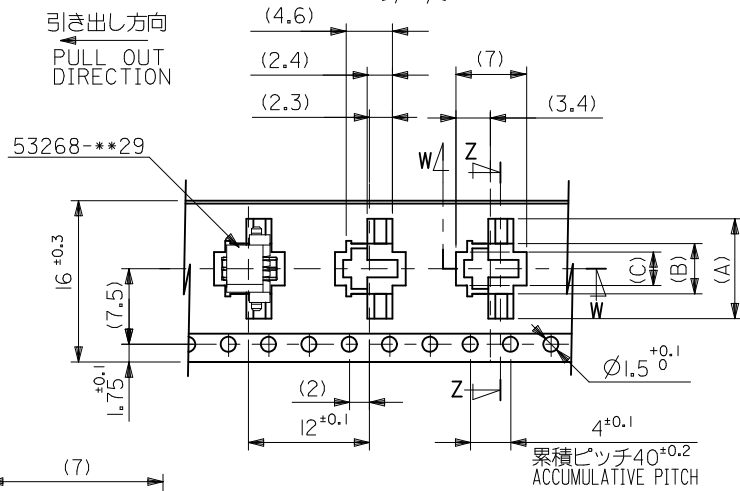


DETAIL "F"



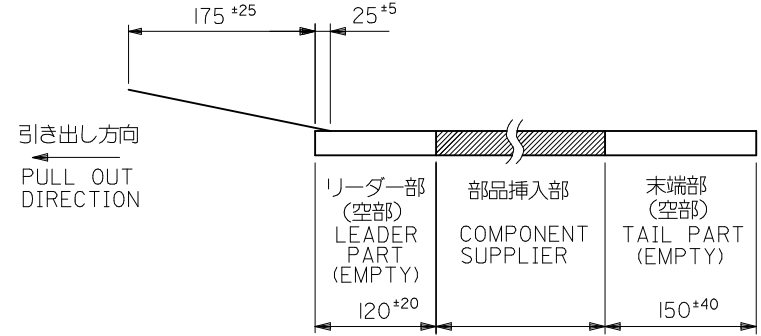
SECT. Z-Z



SECT. W-W

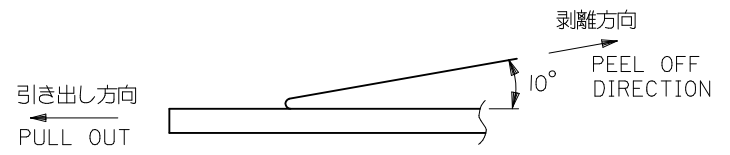
注記 NOTES

- 梱包数量: 1000個/リール NUMBER OF CONNECTORS: 1000PCS/REEL
- リードテープ長さ LEAD TAPE LENGTH
 トップテープ TOP TAPE
 リーダー部 LEADER PART
 未接着部 NON-BONDED PART



- トップテープの剥離強度: (剥離方向は下図参照)
 0.1N ~ 1.3N {10gf ~ 130gf} 尚、本規格値は、出荷時に適用。
 (但し、輸送時に剥離が発生しない事。)

PEELING OFF FORCE OF TOP TAPE : 0.1N ~ 1.3N {10gf ~ 130gf}
 (PEELING DIRECTION AS SHOWN IN FOLLOWING FIG.)
 THIS REQUIREMENT SHOULD BE APPLIED AT SHIPMENT
 PEEL OFF SHOULD NOT BE ALLOWED, DURING TRANSPORTATION

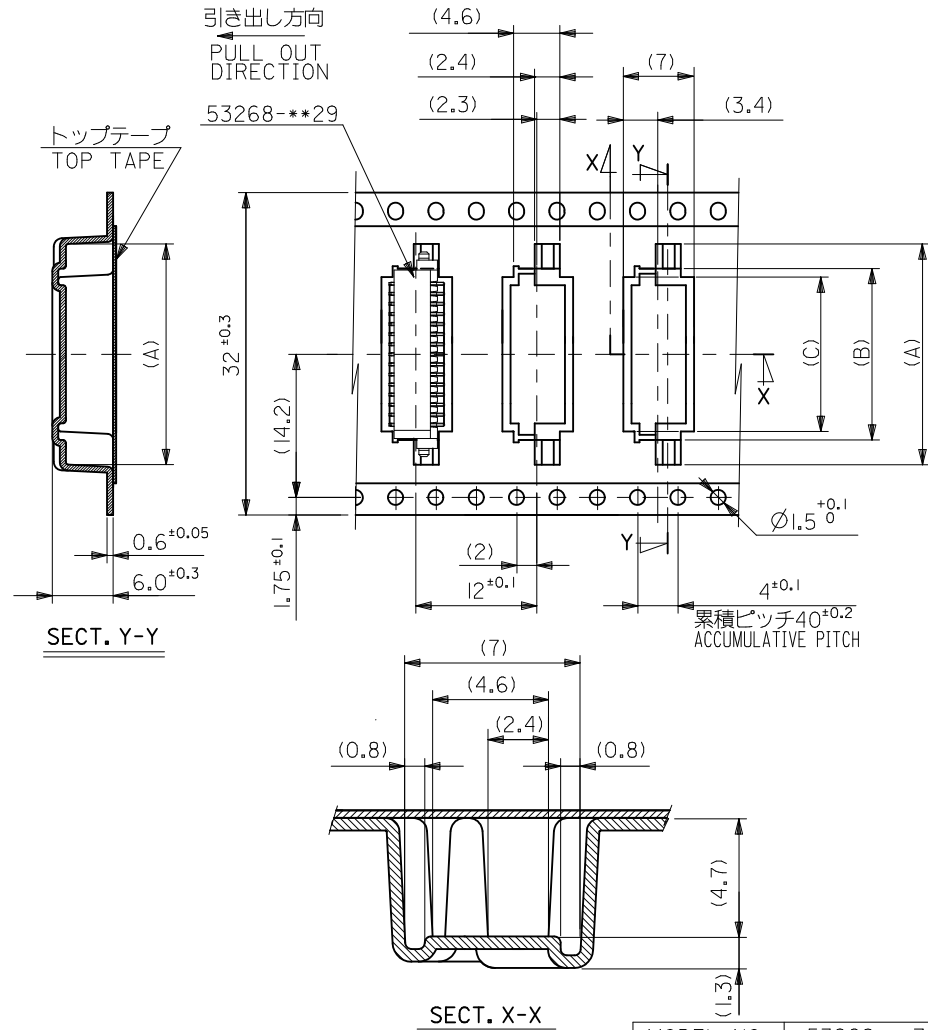
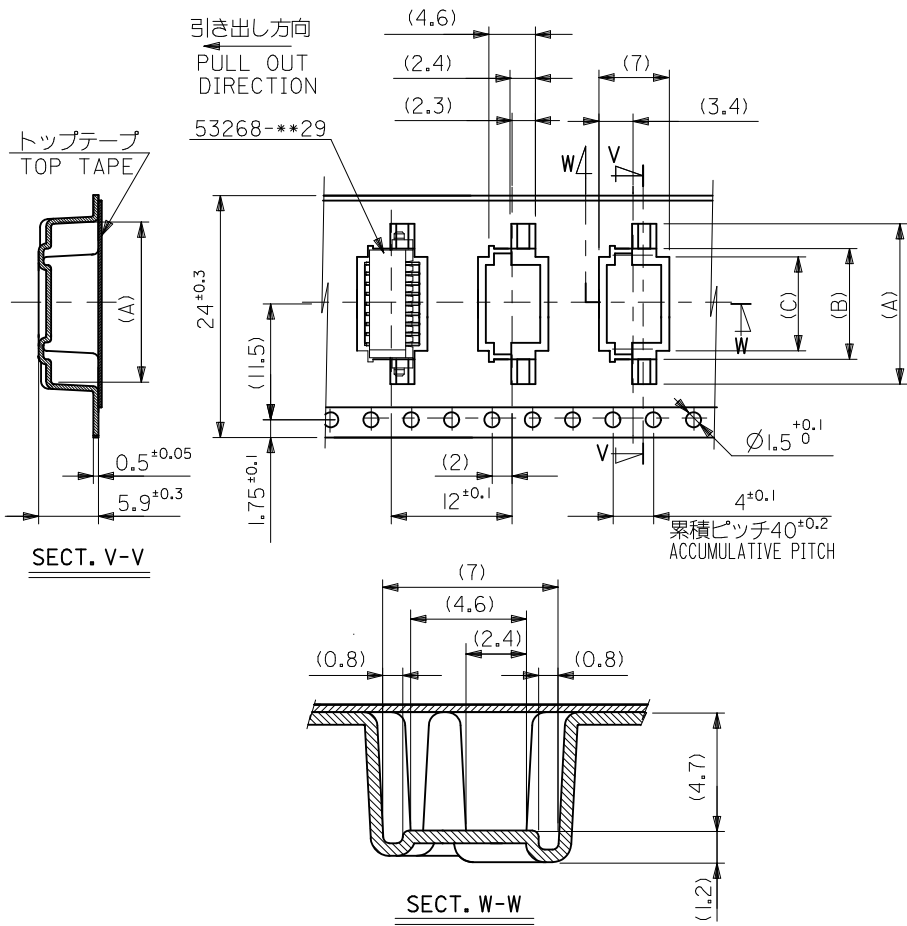


- 材料 MATERIAL
 キャリアテープ: ポリプロピレン (PP) CARRIER TAPE: POLYPROPYLENE
 トップテープ: PET, PE, PEF TOP TAPE: PET, PE, PEF
 リール: ポリスチレン (PS) REEL: POLYSTYRENE (PS)
 <リサイクル材を含む> <RECYCLE MATERIAL CONTAINED>

- 本製品は 53268-**91 の鉛フリー品である。
 THIS PRODUCT IS LEAD FREE OF 53268-**91.

16	21.4	17.4	3.1	5	9.9	53268-0670	6
キャリアテープ幅 CARRIER TAPE WIDTH	E	D	(C)	(B)	(A)	MATERIAL NO.	極数 CIRCUIT

REVISED EC NO: J2012-0366 DRWN: YON002 CHKD: TASAKAWA APPR: MSASAO 2011/09/14 2011/09/27 2011/11/21	GENERAL TOLERANCES (UNLESS SPECIFIED)		DIMENSION STYLE MM ONLY		SCALE ---	DESIGN UNITS METRIC	MODEL NO. 53268-**70
	10 UNDER	± ---	DRAWN BY Y. WADA	DATE 2004/05/17	TITLE 1.0 BTB CONN WAFER ASSY RA SMT EMBSTP PKG -LEAD FREE-		
	10 OVER 30 UNDER	± ---	CHECKED BY M. SASAO	DATE 2004/05/17	MOLEX INCORPORATED		
	30 OVER	± ---	APPROVED BY	DATE	SHEET NO. 1 OF 2		
DESCRIPTION A	ANGULAR	± --- °	MATERIAL NO. SEE CHART		DOCUMENT NO. SD-53268-010	THIRD ANGLE PROJECTION	
REV	DRAFT WHERE APPLICABLE MUST REMAIN WITHIN DIMENSIONS		THIS DRAWING CONTAINS INFORMATION THAT IS PROPRIETARY TO MOLEX INCORPORATED AND SHOULD NOT BE USED WITHOUT WRITTEN PERMISSION				



24	29.4	25.4	11.1	13	17.9	53268-2270	22
			9.1	11	15.9	53268-1870	18
			6.1	8	12.9	53268-1270	12
キャリアテープ幅 CARRIER TAPE WIDTH	E	D	(C)	(B)	(A)	MATERIAL NO.	極数 CIRCUIT

REVISED EC NO: J2012-0366 DRWN: YON002 2011/09/14 CHKD: TASAKAWA 2011/09/27 APPR: MSASAO 2011/11/21 A	GENERAL TOLERANCES (UNLESS SPECIFIED)		DIMENSION STYLE MM ONLY		SCALE ---	DESIGN UNITS METRIC		MODEL NO. 53268-***70	
	10 UNDER	± ---	10 OVER	30 UNDER	± ---	TITLE 1.0 BTB CONN WAFER ASSY RA SMT EMBSTP PKG -LEAD FREE-		THIRD ANGLE PROJECTION	
	30 OVER	± ---	ANGULAR ± --- °		MATERIAL NO. SEE CHART		DOCUMENT NO. SD-53268-010		SHEET NO. 2 OF 2
	DRAFT WHERE APPLICABLE MUST REMAIN WITHIN DIMENSIONS		THIS DRAWING CONTAINS INFORMATION THAT IS PROPRIETARY TO MOLEX INCORPORATED AND SHOULD NOT BE USED WITHOUT WRITTEN PERMISSION		MOLEX INCORPORATED				