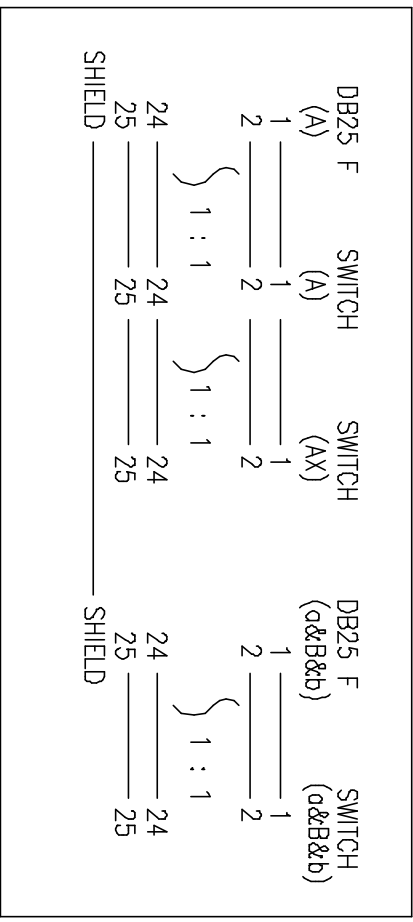
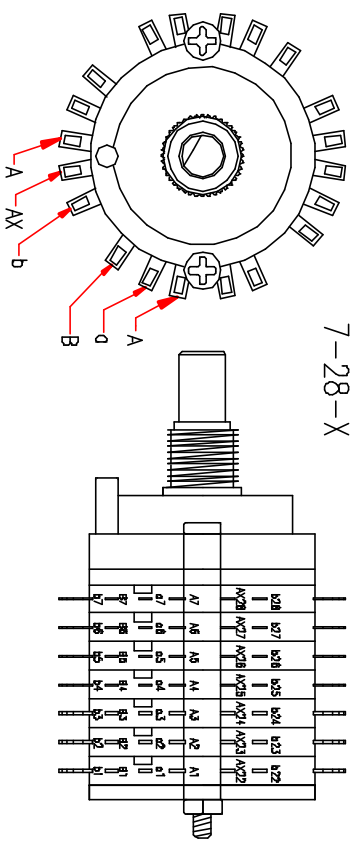


7-28-X



6	PLASTO-VISCO-ELASTIC BODY	4	M562
5	SCREW 3*6PWB	4	M805
4	METAL CASE, THICKNESS 0.8mm	1set	M415
3	UL1061 26AWG INSULATOR, LENGTH 150mm	128	M541
	MAIN HEART 7-28-X	1	M94
	SCREW 4*12.5mm WITH PAD	1set	M94
2	KNOB FOR AaBb, SWITCH	1	M94
	HEX-NUT 4.75*13mm, SCREW CAP 4.75*1.5	8set	M95
1	DB25 FEMALE, GOLD FLASH ON CONTACTS, BLUE INSULATOR	4	M83
No.	DESCRIPTION	QTY	Supplier

ITEM NO.  
CST-SER/X