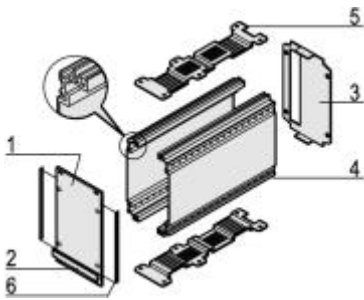


Frame-type 5 plug-in units 3/6 U kits

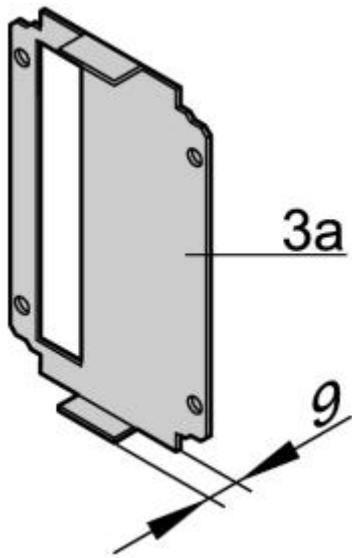


Article number: 20846-639

- Right and left extruded side plates with grooves for sliding in a printed circuit board (standard card position only on the left)
- Installation of further printed circuit boards by assembly of guide rails in the perforated cover plates
- Front panel EMC shielded, cover plates with perforation

Delivery quantity: kit

Item	Qty	Description
1	1	Front panel, Al 2,5 mm, front anodised, rear side yellow chromated
2	1	Handle, grey PPE, UL 04 V-1
3a	1	Rear panel Al 1,5 mm
4	2	Extruded side plate
5	2	Cover plate, perforated, Al 1 mm
6	2	EMC contact strips, stainless steel
7	1	Assembly kit



Technical data:

Height	Width	Description	Description
3 U	21 HP	T = 167 mm front panel, shielded	Rear panel with cut-out for 1 connector

Technical data:

Delivery batch size = 5 pieces

Notes:

- Delivery is exclusively in delivery batch size

SCHROFF GMBH

Feldrennach
Langenalber Straße 96-100
D-75334 Straubenhardt
Postfach 3
D-75332 Straubenhardt
Tel. (0 70 82) 7 94-0
Fax (0 70 82) 7 94 200
http://www.schroff.de

 **Germany**
SCHROFF GMBH
Langenalber Straße 96-100
D-75334 Straubenhardt
Postfach 3
D-75332 Straubenhardt
Tel. (0 70 82) 7 94-0
Fax (0 70 82) 7 94-200
http://www.schroff.de

 **France**
SCHROFF SAS
Z.I. 4, rue du Marais
Boîte Postale 16
67660 Betschdorf
Tél. 03 88 90 64 90
Fax 03 88 90 64 88
http://www.schroff.de

 **Great Britain**
SCHROFF UK Ltd.
Maylands Avenue
Hemel Hempstead
Herts HP2 7DE
Tel. (0 14 42) 24 04 71
Fax (0 14 42) 21 35 08

 **USA**
SCHROFF,
North America
170 Commerce Drive
Warwick, R.I. 02886
Tel. (4 01) 7 32-37 70
Fax (4 01) 7 38-79 88
e-mail:schroffinfo@schroffus.com
http://www.schroffus.com

HOFFMAN Enclosures Inc.
900 Ehlen Drive
Anoka, Minnesota 55303-7504
Tel. (6 12) 4 21-22 40
Fax (6 12) 4 33-21 78

 **Japan**
SCHROFF K.K.
Nisso No.13 Bldg. 4F
5-1, Shin-yokohama 2-chome,
Kohoku-ku, Yokohama 222
Tel. (0 45) 4 76-02 81
Fax (0 45) 4 76-02 89

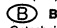
 **Sweden**
SCHROFF
Scandinavia AB
Box 2003
Flygfältsgatan 11
12821 Skarpnäck
Tel. (08) 7 24 02 40
Fax (08) 7 24 78 59
http://www.schroff.se


 **Italy**
SCHROFF S.R.L.
Viale Milano, 119
21013 Gallarate (Varese)
Tel. (03 31) 79 40 03
Fax (03 31) 79 34 50

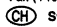
 **Singapore**
HOFFMANN
SCHROFF PTE LTD
25 International Business Park
#01-68/71 German Centre
Singapore 60 99 16
Tel. (65) 5 62 78 90
Fax (65) 5 62 78 99


 **Austria**
Vollhorn Dipl. Ing. Christian Drott KG
A-6832 Sulz - Fritzstraße 4
Tel. ++ 43 (0) 5522 49 42-0
Fax ++ 43 (0) 5522 421 41
http://www.vollhorn.com
e-mail: info@vollhorn.com

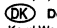
 **Australia**
B & R Enclosures Pvt. Ltd.
10 Industrial Avenue
Wacol Queensland 4076
POB 106, Richlands
Queensland, Australia 4077
Tel. 00 61-7-32 71 23 96
Fax 00 61-7-32 71 36 54
Mayer Krieg & Co.
Electronic & Electrical Components
50 Mary Street, Unley
P.O. Box 685, Unley
Adelaide, South Australia 5061
Tel. (088) 2 91 32 22 - Fax (088) 2 91 32 00


 **Belgium**
Gelechnics Multitechnic N.V.
Leuvensesteenweg 262 - 1800 Vilvoorde
Tel. (02) 2 57 02 50 - Fax (02) 2 52 49 59


 **Canada**
SCHROFF, INC.
111 Grangeway Avenue - Suite 504
Scarborough, Ontario M1H 3E9
Tel. (4 16) 2 89-27 70
Fax (4 16) 2 89-28 83


 **Switzerland**
Rotronic AG
Grindelstraße 6 - 8303 Bassersdorf
Tel. (01) 8 38 12 12 - Fax (01) 8 37 00 74

 **Czech Republic**
ZTC electronic
P.O. Box 34, 1 49 00 Praha 415
Tel. (02) 67 91 00 82/5 28
Fax (02) 67 91 06 41

 **Denmark**
Knud Wexø 4 A/S
Skættekærret 11
Postbox 152 - 2840 Holte
Tel. 45 46 58 00 - Fax 45 46 58 01

 **Spain**
CENVAL SA
Ulises 104 - 28043 Madrid
Tel. (01) 7 21 60 10 - Fax (01) 3 00 08 79


 **Finland**
SCHROFF Scandinavia
Peräsimentie 1 - 03100 Nummela
Tel. (9) 2 22 68 00 - Fax (9) 2 22 38 86

 **Hungary**
NB Electronic Kft.
Kaszásdó u.2 - 1033 Budapest
Tel. (1) 4 39 50 55 - Fax (1) 2 50 00 20

 **Hong Kong**
Alberta Electronic Co. Ltd.
Block C, 10/F Eldex Industrial Building
21 Matauwei Road, Hung Hom
Kowloon, Hong Kong
Tel. (852) 2 33 4-27 86
Fax (852) 2 33 0-16 51

 **Israel**
Ram Nir Electronic
Packaging & Services
4th, Ben-Gurion St. - Nes-Ziona 74030
Tel. (08) 9 40 36 70 - Fax (08) 9 40 12 86

 **Ireland**
New England
Technical Sales Ltd.
The diamond Malahide, Co. - Dublin
Tel. (01) 8 45 06 35 - Fax (01) 8 45 36 25

 **Norway**
SCHROFF Scandinavia
Filial Norge
Bjørnerudveien 24 - 1266 Oslo
Tel. 22 75 33 40 - Fax 22 75 33 41


 **The Netherlands**
Geveke Electronics bv
Componenten & Systemen
Donauweg 10 - 1043 aj Amsterdam
Postbus 652 - 1000 ar Amsterdam
Tel. (0 20) 5 86 15 43
Fax (0 20) 5 86 19 85
Telex 1 95 56

 **New Zealand**
Mayer Krieg (N.Z.) Limited
Electronic & Electrical Components
34 C Hobill Avenue
Manukau City, Auckland
Tel. (09) 2 62 24 61 - Fax (09) 2 62 24 74

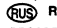
 **Portugal**
ARESTEL S.A.
Componentes e Equipamentos
Electrónicos, S.A.
Pct. Proj. 4 Av. Mário Moutinho
Lote 1528 Cave - 1400 Lisboa
Tel. (01) 3 03 08 50 - Fax (01) 3 01 62 21

 **Poland**
Ryzard Platek
SCHROFF Representative
Koncertowa 6/49
02-784 Warszawa
Tel. (48) 22-641 96 69
Fax (48) 22-641 96 69

 **Taiwan**
LUMAX International Corp. Ltd.
Taichung Branch
10F-2, 20 Da-Long Road
TCC Building, Taichung
Tel. (886) 4-329-5957
Fax (886) 4-329-5845

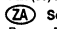
 **Indonesia**
PT Himalaya Everest Java
Jl. Daan Mogot No. 119, Blok C, 6-7
Jakarta 11470,
Tel. (62) 21-566-19 58
Fax (62) 21-566-17 33

 **Korea**
ARA Electronics Co., Ltd.
105, Dangjeong-Dong; Kumpo City
Kyunggi-Do, 435-030
Tel. (82-343) 455-04 80
Fax (82-343) 455-46 10

 **Russia**
PROSOFT
108, Profsojuznaya str., - 117437 Moscow
Tel. (0 95) 2 34 05 36 - Fax (0 95) 2 34 06 40

 **Slovenia**
IC Elektronika d.o.o.
Votovcova 100 - PP 2514
1001 Ljubljana
Tel. (61) 1 65 31 50 25
Fax (61) 1 65 31 70 20

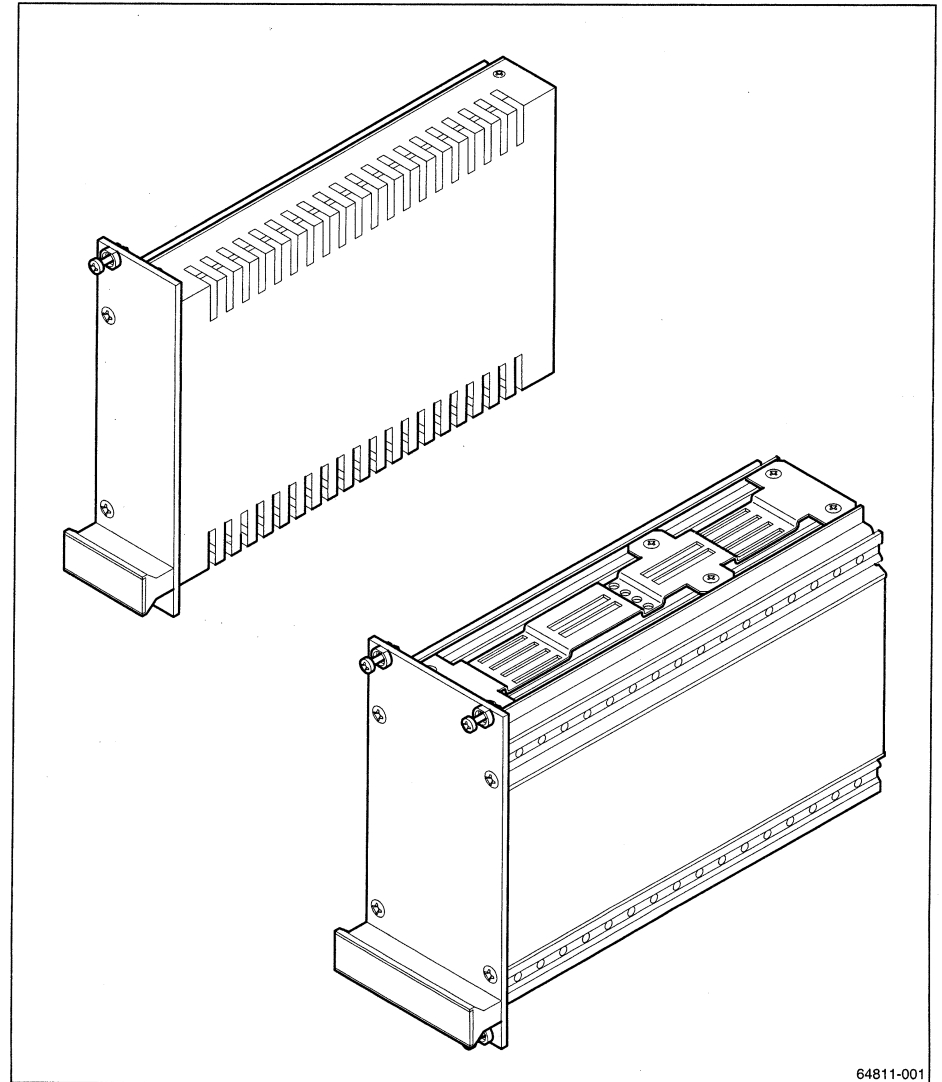
 **Thailand**
Eletech International Corp. Ltd.
71, 71/1-4 Prayusarain Road
Bangchan Moo 4, minburi
Bangkok 10510
Tel. (66) 2-5 18-14 85
Fax (66) 2-5 17-83 97

 **South Africa**
Fascom Electronics (Pty.) Ltd.
P.O. Box 76132 - Wendywood 2144
Tel. (011) 444-1001 - Fax (011) 444-1080

Montageanweisung
Kassetten/Teileinsätze
Schirmaubaugruppe

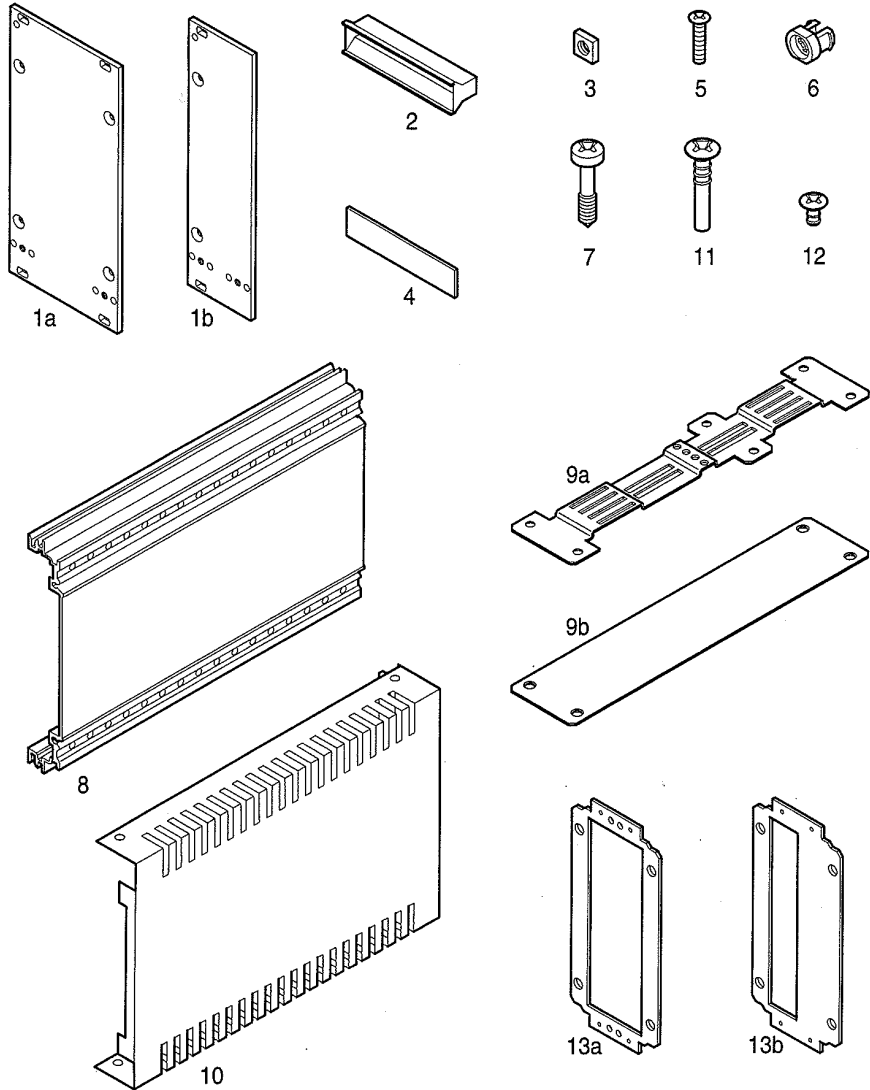
Assembly instructions
Plug-in units
Screened PIU

Instructions de montage
cassettes/tiroirs
Bloc C.I. blindé

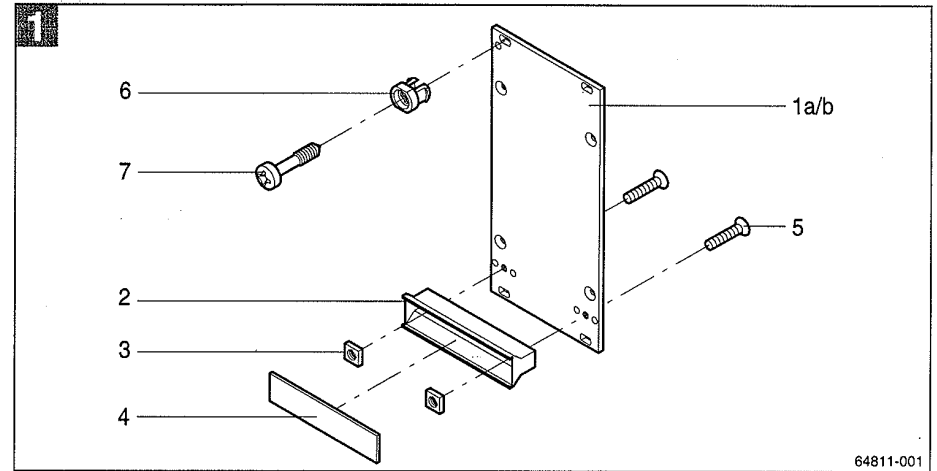


64811-001

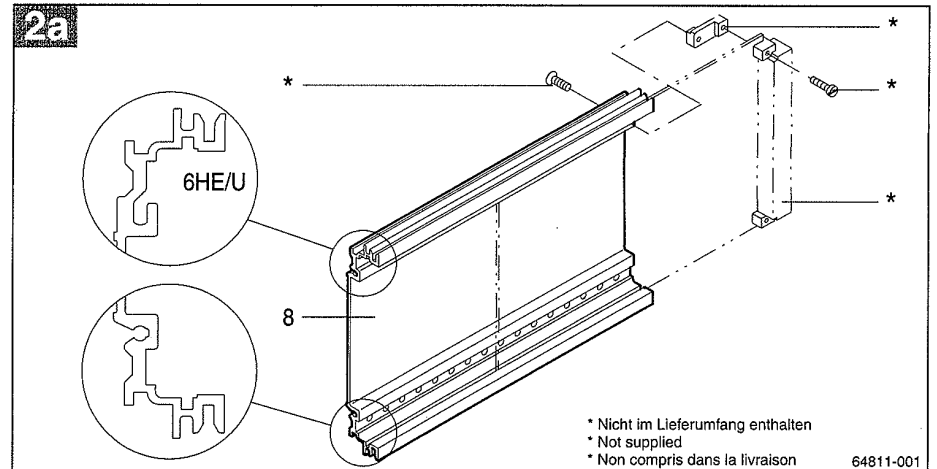
	1a	1b	2	3	4	5	6	7	8	9a	(9b)	10	11	12	13a	(13b)
Ausführung/Version/ Exécution ≥ 7 TE / 7 HP / 7 F	-	1x	1x	2x	1x	2x	2x	2x	1x	-	-	1x	4x	-	-	-
Ausführung/Version/ Exécution ≥ 10 TE / 10 HP / 10 F	1x	-	1x	2x	1x	2x	4x	4x	2x	2x	(2x)	-	8x	12x	1x	(1x)



64811-001

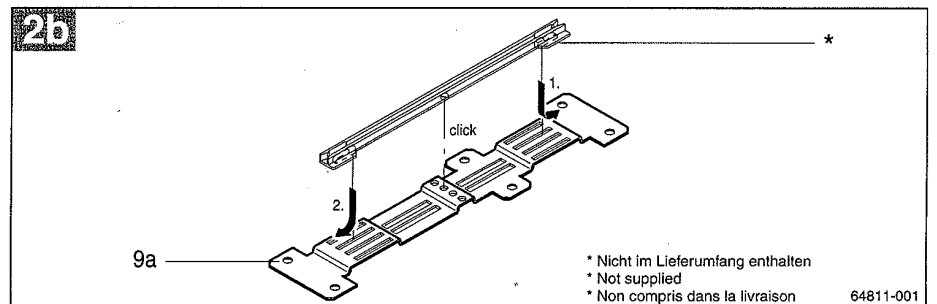


64811-001



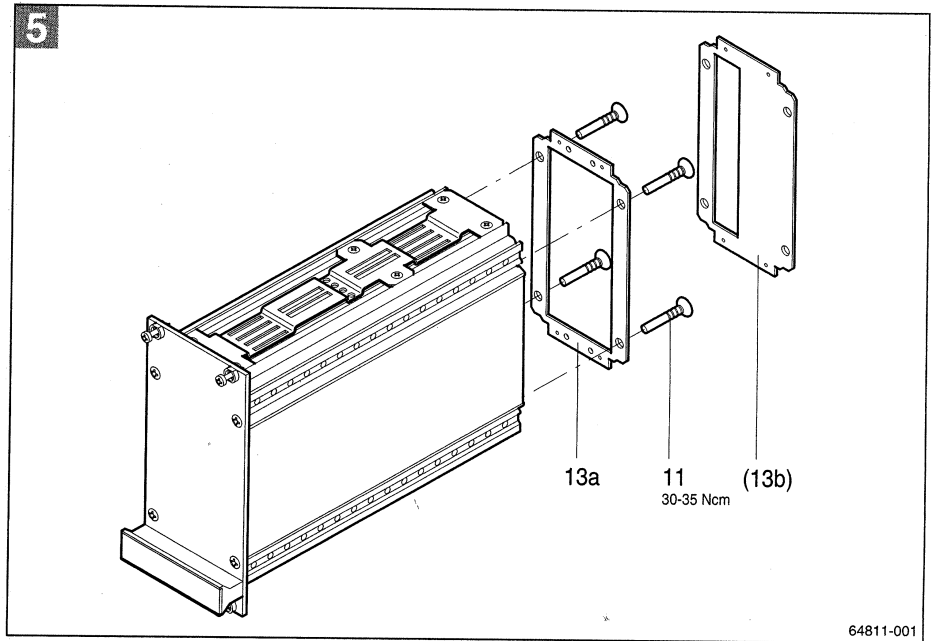
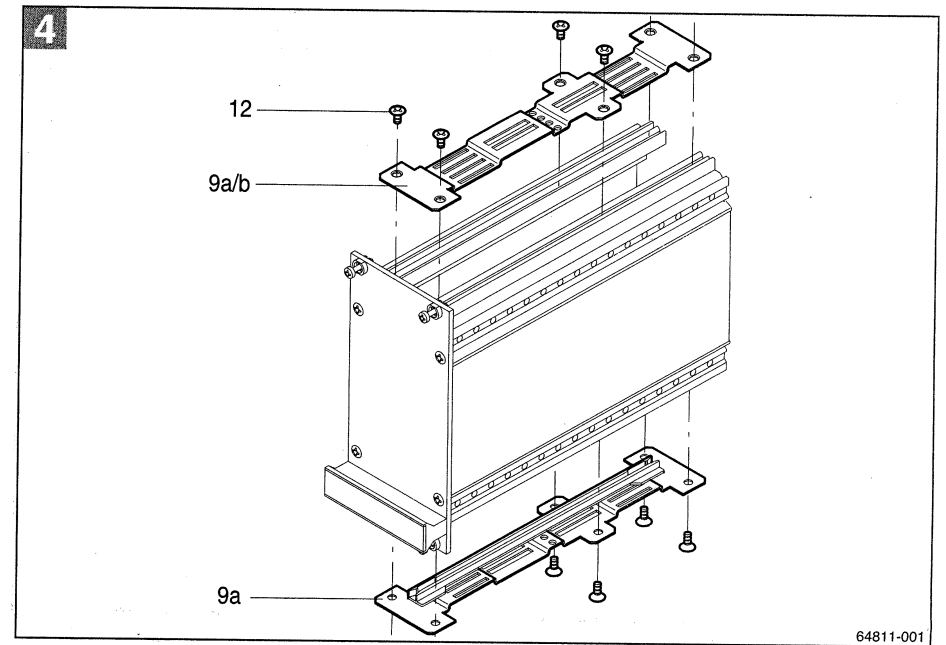
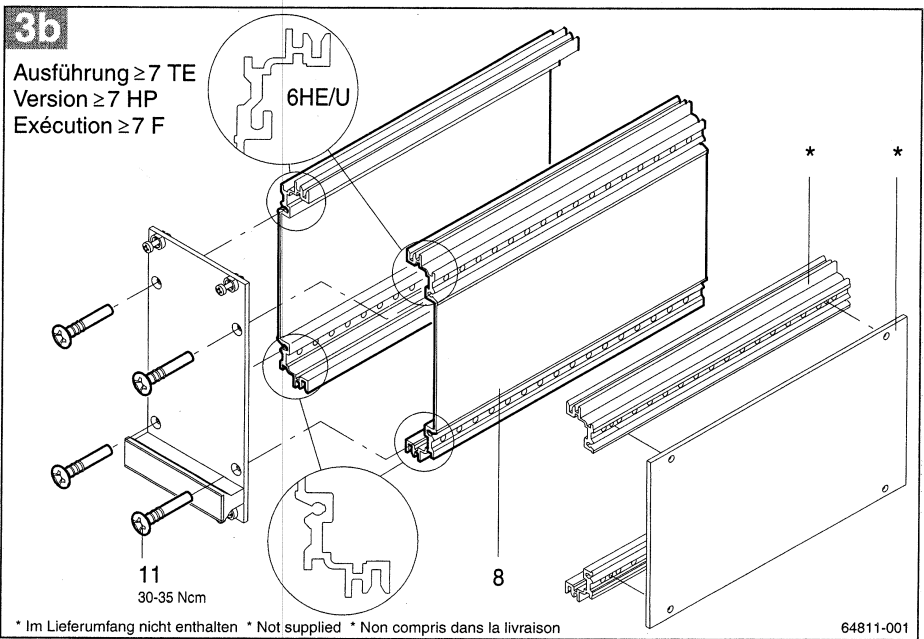
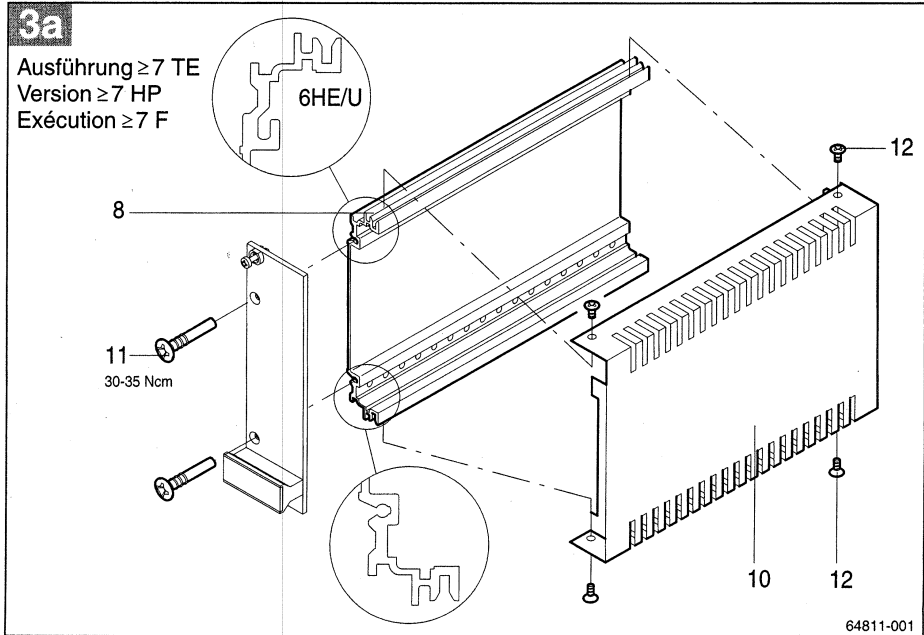
* Nicht im Lieferumfang enthalten
* Not supplied
* Non compris dans la livraison

64811-001



* Nicht im Lieferumfang enthalten
* Not supplied
* Non compris dans la livraison

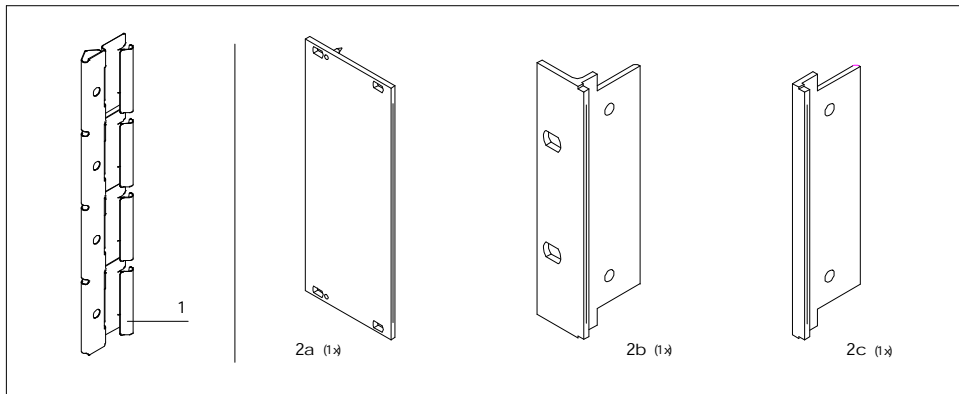
64811-001



**Montageanweisung
Schlitz-Kontaktstreifen**

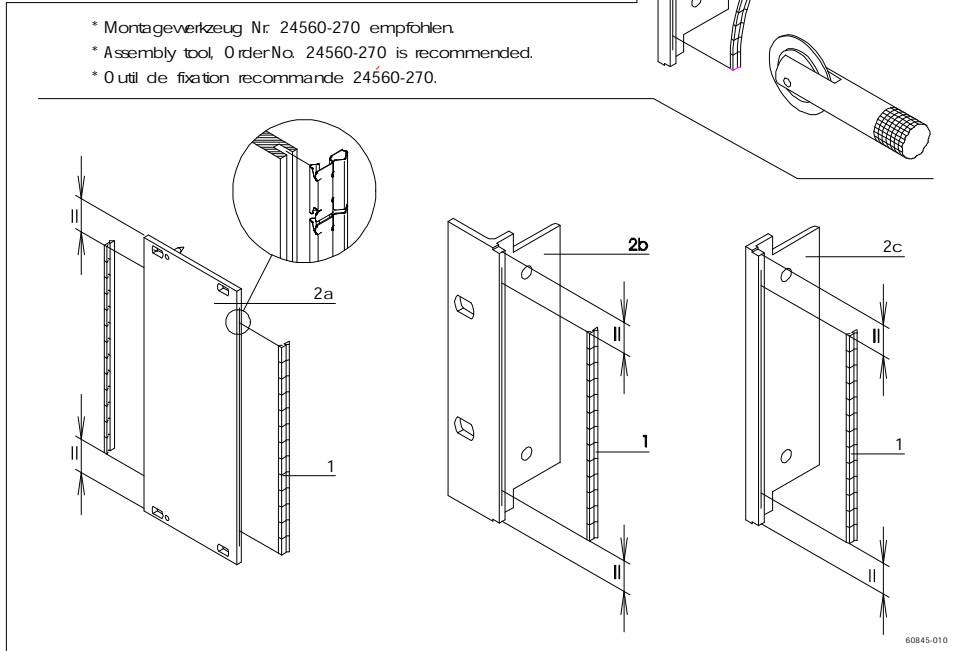
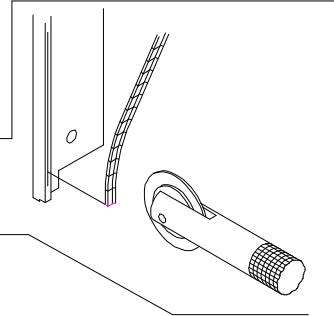
**Assembly instructions
Contact strip**

**Instructions de montage
Des joints HF en rainures**



Pos	Item	Rep.
1	2*	
2x	a	
1x	b	
	c	

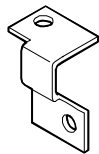
* Pos 2 ist im Lieferumfang nicht enthalten.
* Item 2 is not supplied.
* Rep. 2 non compris dans la livraison.



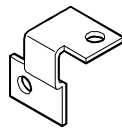
Montageanweisung
Leiterplattenbefestigung
Typ B

Assembly instructions
Printed board fastening
Type A

Instructions de montage
Fixation de carte
Type A



1a (1x)



1b (1x)



2 (2x)

M 2.5 x 4



3 (2x)

