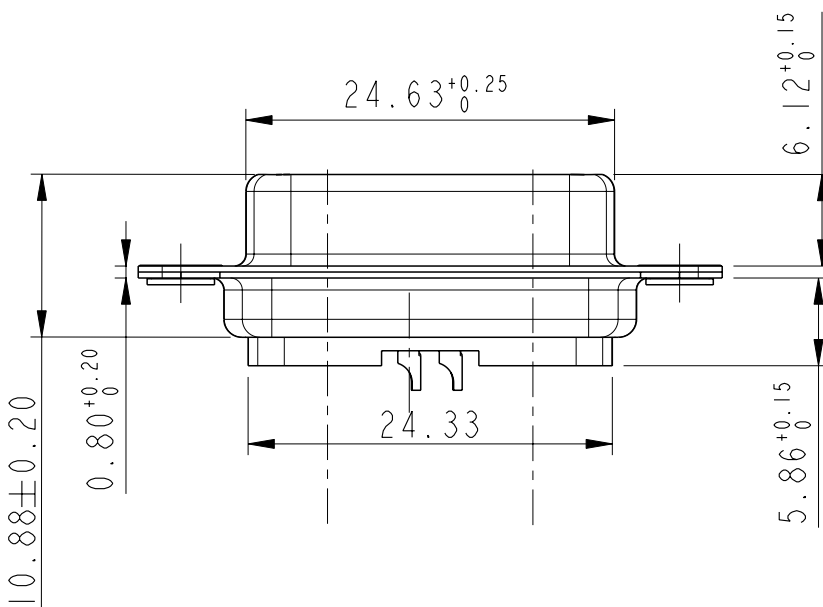
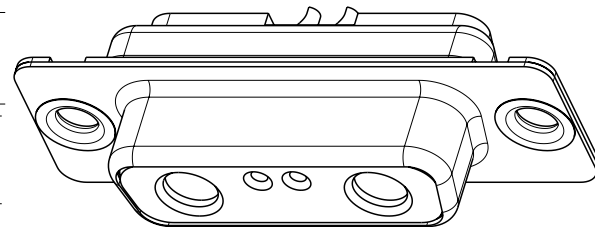
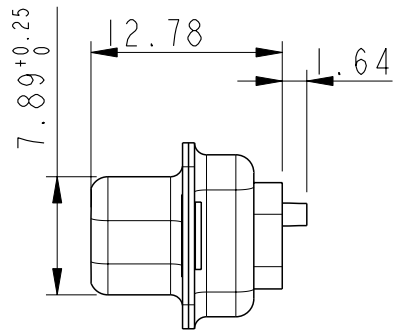
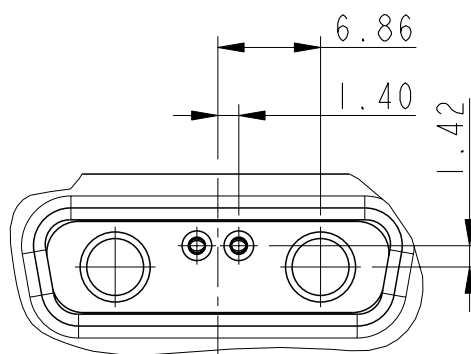
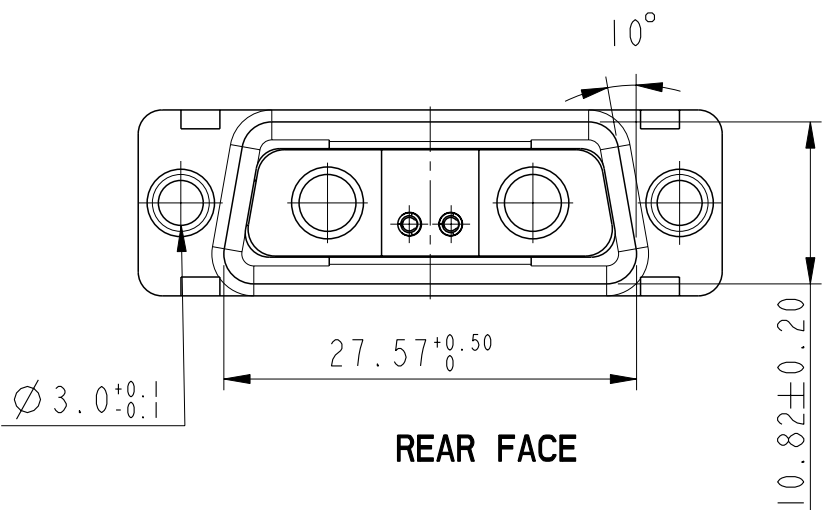


MATING SIDE VIEW



REAR FACE



TECHNICAL SPECIFICATIONS

INSULATOR : Self extinguishing Thermoplastics-UL CLASS 94 V0  
 CONTACTS : Copper alloy with GOLD over NICKEL  
 SHELLS : Steel with Nickel Plated  
 CONTACT ACTIVE ZONE : GOLD over Nickel (200 matings)  
 TERMINATION ZONE : TIN over Nickel

Current Rating : 48V/24A for Power contact  
 : 0.375 A for signal contact  
 Test Voltage : 1000V  
 Contact Resistance : For Power contacts- < 10mOhm  
 : For Signal conatcts - < 25mOhm  
 Insulation Resistance: 5000M Ohm

Operating temperature : 70°C+30°C Temperature rise  
 Mechanical Endurance : 200matings  
 Damp Heat : 21 days  
 Wire Size : Power-8AWG  
 : Signal - AWG 24  
 Contacts : Power contacts -Solder/Crimp  
 : Signal contacts - Solder  
 Max.Dia of wire: 1.52mm (AWG 20/24), 4.1mm (AWG8)  
 Connector is FMLB Compatible

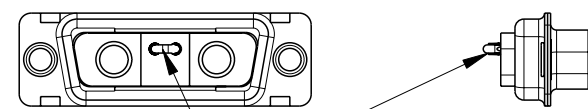
PART NO : 10070165-00119ALF

001- Without Shunt

A-No accessories

002- With Shunt

VIEW FOR SHUNT OPTION



Cable shunt soldered with signal contacts

www.fciconnect.com		surface ISO 1302	tolerance std ISO 406 ISO 1101	projection mm
TOLERANCES UNLESS OTHERWISE SPECIFIED				mm
Dr	SINESH	2006-10-19	ANGULAR	0.X ±0.3
Eng	SINESH	2006-10-19	LINEAR	0.XX ±0.10
Chr	NIRMAL	2007-07-16	0° ±2°	0.XXX ±0.050
Appr	K.V SIVADAS	2007-07-17	Product family	ECN 107-0051
FCi FEMALE CABLE CONNECTOR-48V				Spec ref -
--MicroTCA Power I/O Connector				size A3 Scale 2:1
catalog no		dwg no 10070165		Rev. A
		CUSTOMER		sheet 1 of 1

rev	ecn no	dr	date
A	107-0051	NG	2007-07-17
-	-	-	-
-	-	-	-
-	-	-	-
-	-	-	-

"This Product Meets European union directives & other country regulations as described in GS-22-008"  
 Packing asper GS 14-1104