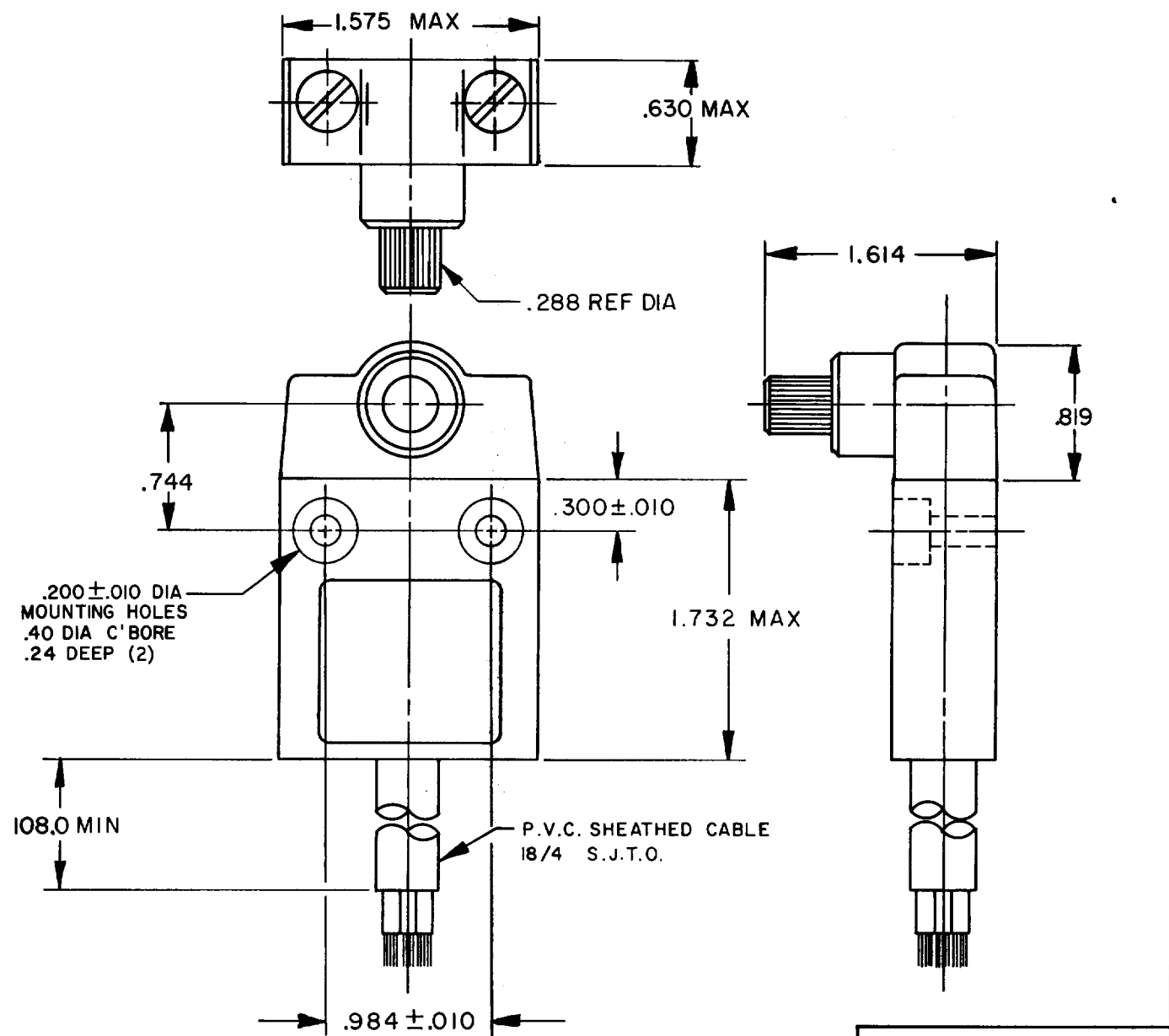
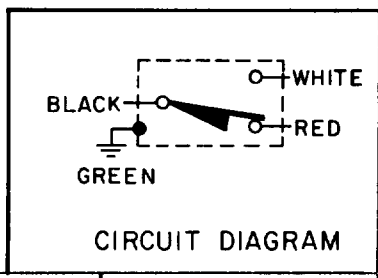


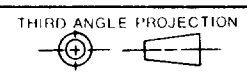
914CE16-9
 M
 DRAWING NUMBER
 X
 ISSUE
 3
 REVISIONS
 A CO 51267 TSK 6 APR 82
 A CO 51367 TSK 6 APR 82
 B C059783 CJH 3 JUL 86
 CHECK CEB 9 SEPT 78
 CHECK 78
 AUG 78
 DRAWN
 FO-52848-A



NOTE -
 1 - ZINC HOUSING FINISHED WITH GRAY PAINT
 2 - SWITCH WILL ACTUATE IN BOTH DIRECTIONS



THIS DRAWING COVERS A PROPRIETARY ITEM AND IS THE PROPERTY OF MICRO SWITCH, A DIVISION OF HONEYWELL. THIS DRAWING IS NOT TO BE COPIED OR USED WITHOUT THE APPROVAL OF MICRO SWITCH.



| CHARACTERISTICS | ELECTRICAL DATA | SCALE FULL | | | | | | | | | | | | | | | | | | | | | | | | | | | | | |
|----------------------------------|--|---|------------------|-------|------|------|----|-------|----|-------|-----------|---|------|--|-----------|------|---------|------------|------------|---------|----------|----------------|--------------|------------|--|------------------|--------|--|--|--|--|
| | | DO NOT SCALE PRINT | | | | | | | | | | | | | | | | | | | | | | | | | | | | | |
| OPERATING FORCE --- 3 IN. LB MAX | CONTACT ARRANGEMENT S P D T | TOLERANCES APPLY TO DESIGN UNITS. CONVERSIONS ARE ONLY FOR REFERENCE. UNLESS NOTED, TOLERANCES ARE ± | | | | | | | | | | | | | | | | | | | | | | | | | | | | | |
| RELEASE FORCE --- 10 IN. OZ MAX | UL LISTED - HONEYWELL LTD FILE E41859 5A - 250 VAC 1/10 HP - 125 OR 250 VAC LR-15775 | <table border="1"> <thead> <tr> <th>DIM.</th> <th>TOL.</th> <th>DIM.</th> <th>TOL.</th> </tr> <tr> <th>mm</th> <th>mm/in</th> <th>in</th> <th>mm/in</th> </tr> </thead> <tbody> <tr> <td>NO PLACES</td> <td>X</td> <td>1/04</td> <td></td> </tr> <tr> <td>ONE PLACE</td> <td>X, X</td> <td>0.4/016</td> <td>X X 0.8/03</td> </tr> <tr> <td>TWO PLACES</td> <td>X, X, X</td> <td>0.15/006</td> <td>X X X 0.38/015</td> </tr> <tr> <td>THREE PLACES</td> <td>X, X, X, X</td> <td></td> <td>X X X X 0.13/005</td> </tr> <tr> <td>ANGLES</td> <td></td> <td></td> <td></td> </tr> </tbody> </table> | DIM. | TOL. | DIM. | TOL. | mm | mm/in | in | mm/in | NO PLACES | X | 1/04 | | ONE PLACE | X, X | 0.4/016 | X X 0.8/03 | TWO PLACES | X, X, X | 0.15/006 | X X X 0.38/015 | THREE PLACES | X, X, X, X | | X X X X 0.13/005 | ANGLES | | | | |
| DIM. | | TOL. | DIM. | TOL. | | | | | | | | | | | | | | | | | | | | | | | | | | | |
| mm | | mm/in | in | mm/in | | | | | | | | | | | | | | | | | | | | | | | | | | | |
| NO PLACES | X | 1/04 | | | | | | | | | | | | | | | | | | | | | | | | | | | | | |
| ONE PLACE | X, X | 0.4/016 | X X 0.8/03 | | | | | | | | | | | | | | | | | | | | | | | | | | | | |
| TWO PLACES | X, X, X | 0.15/006 | X X X 0.38/015 | | | | | | | | | | | | | | | | | | | | | | | | | | | | |
| THREE PLACES | X, X, X, X | | X X X X 0.13/005 | | | | | | | | | | | | | | | | | | | | | | | | | | | | |
| ANGLES | | | | | | | | | | | | | | | | | | | | | | | | | | | | | | | |
| PRETRAVEL --- 30° MAX | | DESIGN UNITS <input type="checkbox"/> SI METRIC <input type="checkbox"/> US CUSTOMARY <input checked="" type="checkbox"/> | | | | | | | | | | | | | | | | | | | | | | | | | | | | | |
| DIFFERENTIAL TRAVEL --- 3° MAX | | WEIGHT | | | | | | | | | | | | | | | | | | | | | | | | | | | | | |
| OVERTRAVEL --- 40° MAX | | | | | | | | | | | | | | | | | | | | | | | | | | | | | | | |