

20 - 6325 - XXX - XXX - XXX

PREFIX \_\_\_\_\_

SERIES \_\_\_\_\_

NUMBER OF CONTACTS \_\_\_\_\_

CODE	NUMBER OF CONTACTS
036	36 (22+14)
064	64 (22+42)
098	98 (22+76)
164	164 (22+142)

HOUSING COLOUR \_\_\_\_\_

CODE	INSULATOR COLOUR
0	BLACK, NYLON 9T, 30% GLASS FILLED
1	WHITE, NYLON 9T, 30% GLASS FILLED

CONTACT LENGTH \_\_\_\_\_

CODE	CONTACT LENGTH "L"	PCB THICKNESS
01	2.30	1.57
02	3.10	2.36

CONNECTOR VARIATION \_\_\_\_\_

CODE	STYLE	PCB MOUNTING
00	STANDARD	PLANE
01	WITH LATCH (SEE NOTE 1)	PLANE

PLATING VARIATION \_\_\_\_\_

CODE	CONTACT AREA	TERMINAL AREA	BASE COAT
6	0.38µm GOLD	MIN 2.54µm PURE TIN	0.76µm NICKEL
7	0.76µm GOLD	MIN 2.54µm PURE TIN	1.27µm NICKEL



PACKING DETAILS

No OF CONTACTS	PARTS PER TRAY	TRAYS PER BOX	PARTS PER BOX 445L x 288W x 247L
36	120	20	2400
64	80	20	1600
98	60	20	1200
164	40	20	800

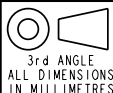
NOTES :-  
1. LATCHING CONNECTOR ONLY AVAILABLE WITH 164 CONTACTS.

ELCO EUROPE (A DIVISION OF AVX LTD.) CONFIDENTIAL PROPRIETARY  
THE DRAWING ON THIS PRINT AND INFORMATION THEREWITH ARE  
PROPRIETARY TO ELCO EUROPE (A DIVISION OF AVX LTD.) AND  
SHALL NOT BE USED OR DISCLOSED IN WHOLE OR IN PART  
WITHOUT ELCO EUROPE'S WRITTEN CONSENT.

ELCO EUROPE (A DIVISION OF AVX LTD.) CONFIDENTIAL PROPRIETARY  
THE DRAWING ON THIS PRINT AND INFORMATION THEREWITH ARE  
PROPRIETARY TO ELCO EUROPE (A DIVISION OF AVX LTD.) AND  
SHALL NOT BE USED OR DISCUSSED IN WHOLE OR IN PART  
WITHOUT ELCO EUROPE'S WRITTEN CONSENT.

ORDER CODE  
SHEET 1 OF 9

Release No.  
History  
I02034  
I02102  
I02124  
I02197  
I02227  
I02319  
I02368  
I02392  
I02480



**ELCO**

© COPYRIGHT ELCO EUROPE  
NOT TO BE DISCLOSED OR COPIED  
WITHOUT WRITTEN PERMISSION

Drawn  
N.C.H.

Size  
CV

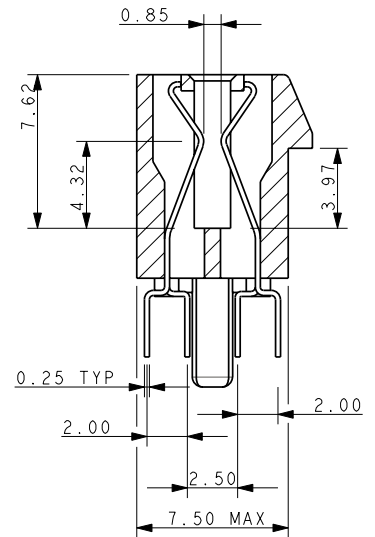
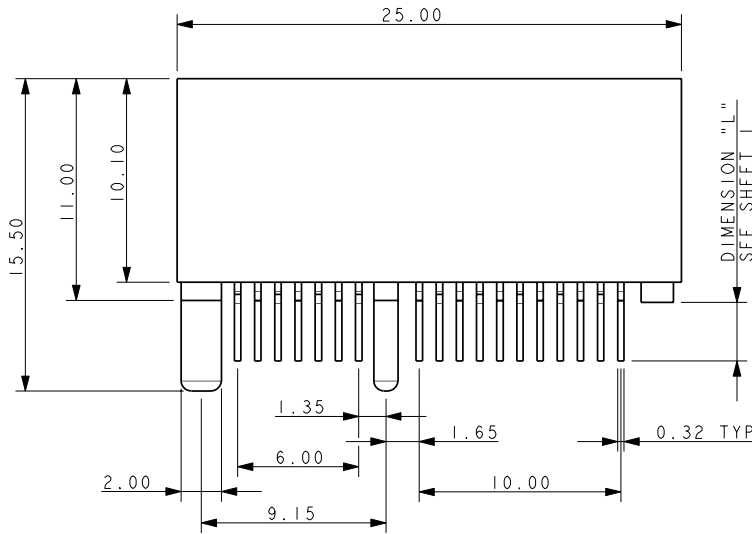
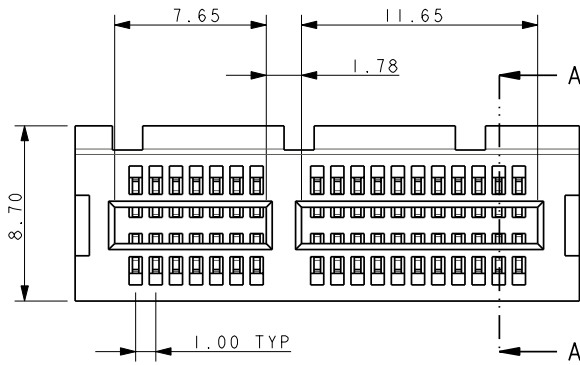
Description  
6325 PCI CONNECTOR ORDERING CODE

Part Number  
20-6325-01S

DATE  
30-Jul-02

Issue  
8

# 36 WAY CONNECTOR



SECTION ON A-A

ELCO EUROPE (A DIVISION OF AVX LTD.) CONFIDENTIAL PROPRIETARY  
 THE DRAWING ON THIS PRINT AND INFORMATION THEREWITH ARE  
 PROPRIETARY TO ELCO EUROPE (A DIVISION OF AVX LTD.) AND  
 SHALL NOT BE USED OR DISCUSSED IN WHOLE OR IN PART  
 WITHOUT ELCO EUROPE'S WRITTEN CONSENT.

NOTES :-

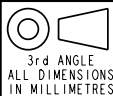
1. ALL DIMENSIONS SHOWN ARE REFERENCE DIMENSIONS UNLESS TOLERANCED.
2. INSULATOR MATERIAL :- 30% GLASS FILLED NYLON 9T.
3. CONTACT MATERIAL :- PHOSPHOR BRONZE.
4. INSERTION FORCE :- 1.15N MAX PER CONTACT PAIR.  
 WITHDRAWL FORCE :- 1.15N MAX PER CONTACT PAIR.
5. CONTACT RETENTION :- 4.9N MIN PER CONTACT.  
 CONTACT RESISTANCE :- 30MILLIOHMS MAX.  
 INSULATION RESISTANCE :- 1000MEGAOHMS MIN AT 50V AC.  
 CURRENT RATING :- 1.1 AMPS
6. OPERATING TEMPERATURE :- -55°C TO +105°C.
7. PCB LAYOUT SEE SHEETS 7 AND 8.

ELCO EUROPE (A DIVISION OF AVX LTD.) CONFIDENTIAL PROPRIETARY  
 THE DRAWING ON THIS PRINT AND INFORMATION THEREWITH ARE  
 PROPRIETARY TO ELCO EUROPE (A DIVISION OF AVX LTD.) AND  
 SHALL NOT BE USED OR DISCUSSED IN WHOLE OR IN PART  
 WITHOUT ELCO EUROPE'S WRITTEN CONSENT.



36 WAY CONNECTOR  
 SHEET 2 OF 9

Release No.	
History	
I02034	
I02102	
I02124	
I02197	
I02227	
I02319	
I02368	
I02392	
I02480	



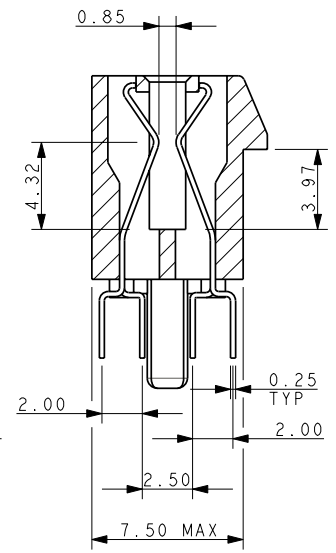
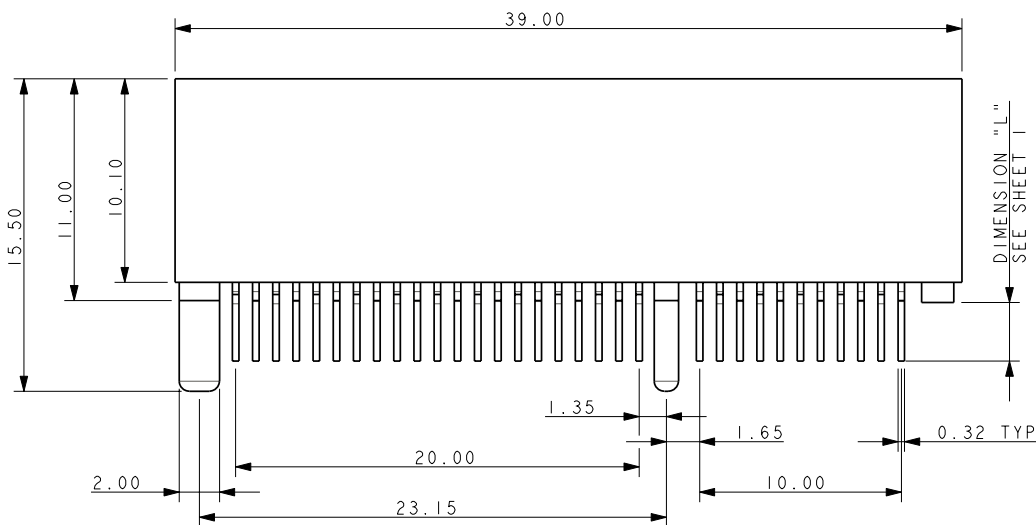
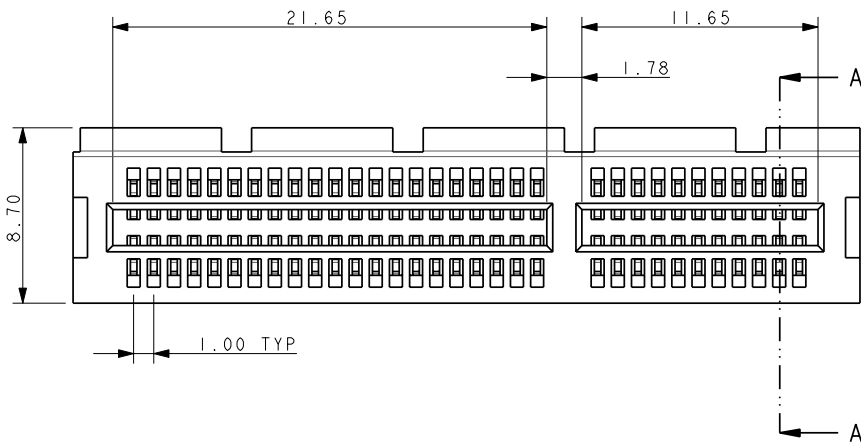
**ELCO**  
 © COPYRIGHT ELCO EUROPE  
 NOT TO BE DISCLOSED OR COPIED  
 WITHOUT WRITTEN PERMISSION

Drawn  
 N.C.H.  
 Size  
 CV

Description  
 6325 PCI CONNECTOR ORDERING CODE  
 Part Number  
 20-6325-01S

DATE  
 30-Jul-02  
 Issue  
 8

# 64 WAY CONNECTOR



SECTION A-A

ELCO EUROPE (A DIVISION OF AVX LTD.) CONFIDENTIAL PROPRIETARY  
 THE DRAWING ON THIS PRINT AND INFORMATION THEREWITH ARE  
 PROPRIETARY TO ELCO EUROPE (A DIVISION OF AVX LTD.) AND  
 SHALL NOT BE USED OR DISCUSSED IN WHOLE OR IN PART  
 WITHOUT ELCO EUROPE'S WRITTEN CONSENT.

NOTES :-

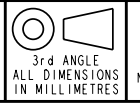
1. ALL DIMENSIONS SHOWN ARE REFERENCE DIMENSIONS UNLESS TOLERANCED.
2. INSULATOR MATERIAL :- 30% GLASS FILLED NYLON 9T.
3. CONTACT MATERIAL :- PHOSPHOR BRONZE.
4. INSERTION FORCE :- 1.15N MAX PER CONTACT PAIR.  
 WITHDRAWAL FORCE :- 1.15N MAX PER CONTACT PAIR.  
 RETENTION FORCE :- 4.9N MIN PER CONTACT.
5. CONTACT RESISTANCE :- 30MILLIOHMS AX.  
 INSULATION RESISTANCE :- 1000MEGOHMS MIN AT 500V AC.  
 CURRENT RATING :- 1.1A
6. OPERATING TEMPERATURE :- -55°C TO +105°C.
7. PCB LAYOUT SEE SHEETS 7 AND 8.

ELCO EUROPE (A DIVISION OF AVX LTD.) CONFIDENTIAL PROPRIETARY  
 THE DRAWING ON THIS PRINT AND INFORMATION THEREWITH ARE  
 PROPRIETARY TO ELCO EUROPE (A DIVISION OF AVX LTD.) AND  
 SHALL NOT BE USED OR DISCUSSED IN WHOLE OR IN PART  
 WITHOUT ELCO EUROPE'S WRITTEN CONSENT.



64 WAY CONNECTOR  
 SHEET 3 OF 9

Release No.	History
I02034	I02102
I02102	I02124
I02124	I02197
I02197	I02227
I02227	I02319
I02319	I02368
I02368	I02392
I02392	I02460



**ELCO**  
 © COPYRIGHT ELCO EUROPE  
 NOT TO BE DISCLOSED OR COPIED  
 WITHOUT WRITTEN PERMISSION

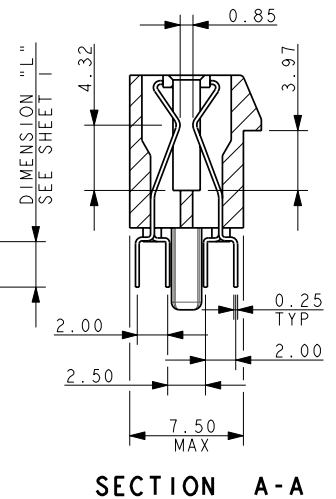
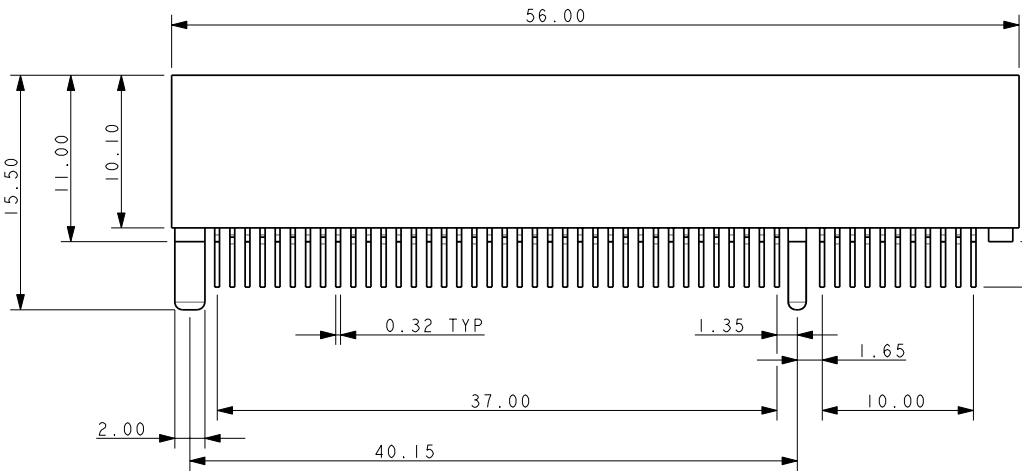
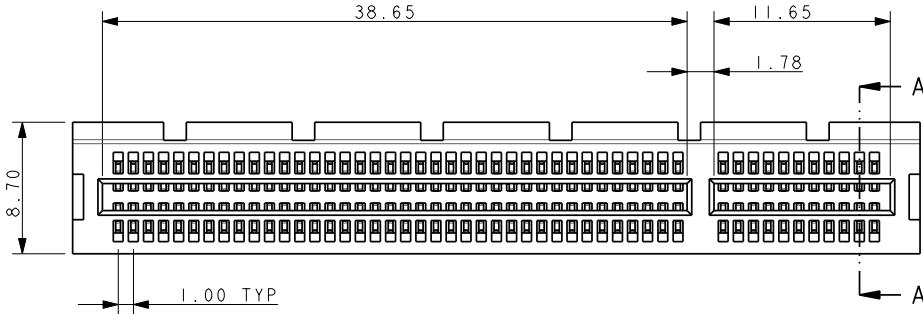
Drawn  
 N.C.H.  
 Size  
 CV

Description  
 6325 PCI CONNECTOR ORDERING CODE  
 Part Number  
 20-6325-01S

DATE  
 30-Jul-02  
 Issue  
 8

FORM-106-01-056-6 ISS. 7

# 98 WAY CONNECTOR



ELCO EUROPE (A DIVISION OF AVX LTD.) CONFIDENTIAL PROPRIETARY  
THE DRAWING ON THIS PRINT AND INFORMATION THEREWITH ARE  
PROPRIETARY TO ELCO EUROPE (A DIVISION OF AVX LTD.) AND  
SHALL NOT BE USED OR DISCUSSED IN WHOLE OR IN PART  
WITHOUT ELCO EUROPE'S WRITTEN CONSENT.

**NOTES :-**

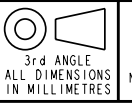
1. ALL DIMENSION SHOWN ARE REFERENCE DIMENSIONS UNLESS TOLERANCED.
2. INSULATOR MATERIAL :- 30% GLASS FILLED NYLON 9T.
3. CONTACT MATERIAL :- PHOSPHOR BRONZE.
4. INSERTION FORCE :- 1.15N MAX PER CONTACT PAIR.  
WITHDRAWAL FORCE :- 1.15N MAX PER CONTACT PAIR.  
CONTACT RETENTION :- 4.9N MIN.
5. CONTACT RESISTANCE :- 30MILLIOHMS MAX.  
INSULATION RESISTANCE :- 1000MEGOHMS AT 500V AC.  
CURRENT RATING :- 1.1A
6. OPERATING TEMPERATURE :- -55°C TO +105°C.
7. PCB LAYOUT SEE SHEETS 7 AND 8.



ELCO EUROPE (A DIVISION OF AVX LTD.) CONFIDENTIAL PROPRIETARY  
THE DRAWING ON THIS PRINT AND INFORMATION THEREWITH ARE  
PROPRIETARY TO ELCO EUROPE (A DIVISION OF AVX LTD.) AND  
SHALL NOT BE USED OR DISCUSSED IN WHOLE OR IN PART  
WITHOUT ELCO EUROPE'S WRITTEN CONSENT.

**98 WAY CONNECTOR**  
SHEET 4 OF 9

Release No. History I02034 I02102 I02124 I02197 I02227 I02319 I02368 I02392 I02480	
------------------------------------------------------------------------------------------------------------------	--



**ELCO**  
© COPYRIGHT ELCO EUROPE  
NOT TO BE DISCLOSED OR COPIED  
WITHOUT WRITTEN PERMISSION

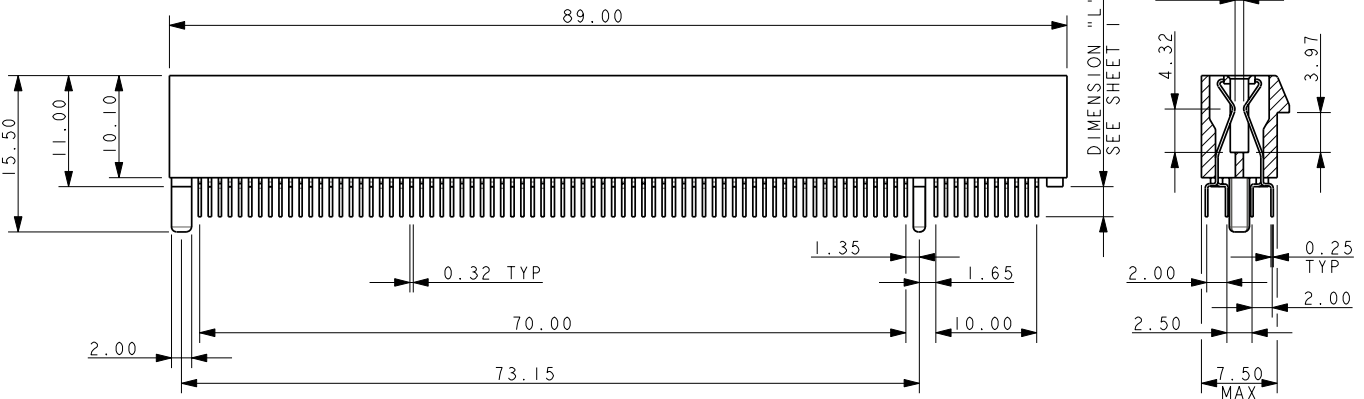
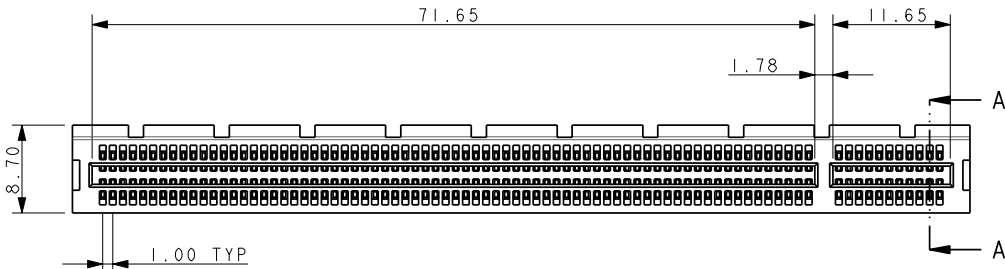
Drawn  
N.C.H.  
Size  
CV

Description  
6325 PCI CONNECTOR ORDERING CODE  
Part Number  
20-6325-01S

DATE  
30-Jul-02  
Issue  
8

FORM-106-01-056-6 ISS 7

# 164 WAY CONNECTOR



**SECTION A-A**

ELCO EUROPE (A DIVISION OF AVX LTD.) CONFIDENTIAL PROPRIETARY  
THE DRAWING ON THIS PRINT AND INFORMATION THEREWITH ARE  
PROPRIETARY TO ELCO EUROPE (A DIVISION OF AVX LTD.) AND  
SHALL NOT BE USED OR DISCUSSED IN WHOLE OR IN PART  
WITHOUT ELCO EUROPE'S WRITTEN CONSENT.

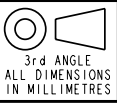
- NOTES :-
1. ALL DIMENSIONS ARE REFERENCE DIMENSIONS UNLESS TOLERANCED.
  2. INSULATOR MATERIAL :- 30% GLASS FILLED NYLON 9T.
  3. CONTACT MATERIAL :- PHOSPHOR BRONZE.
  4. INSERTION FORCE :- 1.15N MAX PER PAIR OF CONTACTS.  
WITHDRAWAL FORCE :- 1.15N MAX PER PAIR OF CONTACTS  
CONTACT RETENTION :- 4.9N MIN PER CONTACT.
  5. CONTACT RESISTANCE :- 30MILLIOHMS MAX  
INSULATION RESISTANCE :- 1000MEGOHMS MIN AT 500V AC.  
CURRENT RATING :- 1.1A
  6. OPERATING TEMPERATURE :- -55°C TO +105°C.
  7. PCB LAYOUT SEE SHEETS 7 AND 8.



ELCO EUROPE (A DIVISION OF AVX LTD.) CONFIDENTIAL PROPRIETARY  
THE DRAWING ON THIS PRINT AND INFORMATION THEREWITH ARE  
PROPRIETARY TO ELCO EUROPE (A DIVISION OF AVX LTD.) AND  
SHALL NOT BE USED OR DISCUSSED IN WHOLE OR IN PART  
WITHOUT ELCO EUROPE'S WRITTEN CONSENT.

**164 WAY CONNECTOR**  
SHEET 5 OF 9

Release No.	
History	
I02034	
I02102	
I02124	
I02197	
I02227	
I02319	
I02368	
I02392	
I02460	



**ELCO**  
© COPYRIGHT ELCO EUROPE  
NOT TO BE DISCLOSED OR COPIED  
WITHOUT WRITTEN PERMISSION

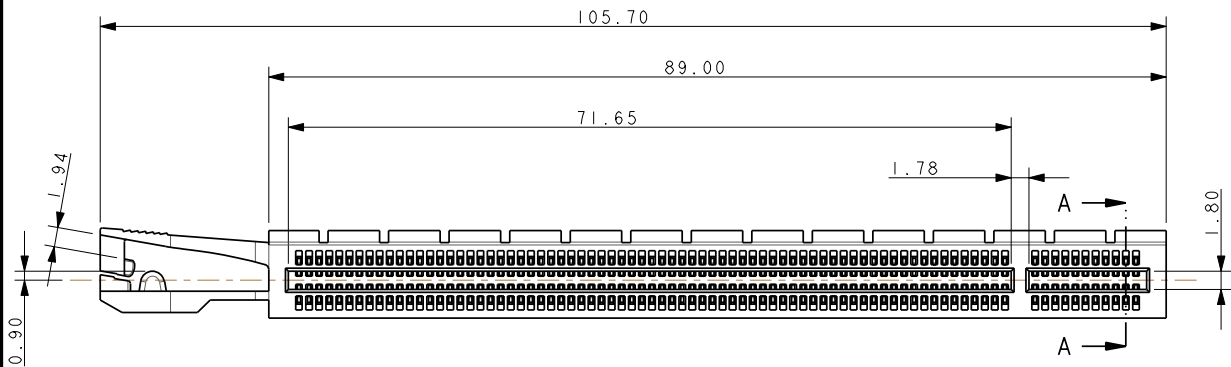
Drawn  
N.C.H.  
Size  
CV

Description  
6325 PCI CONNECTOR ORDERING CODE  
Part Number  
20-6325-01S

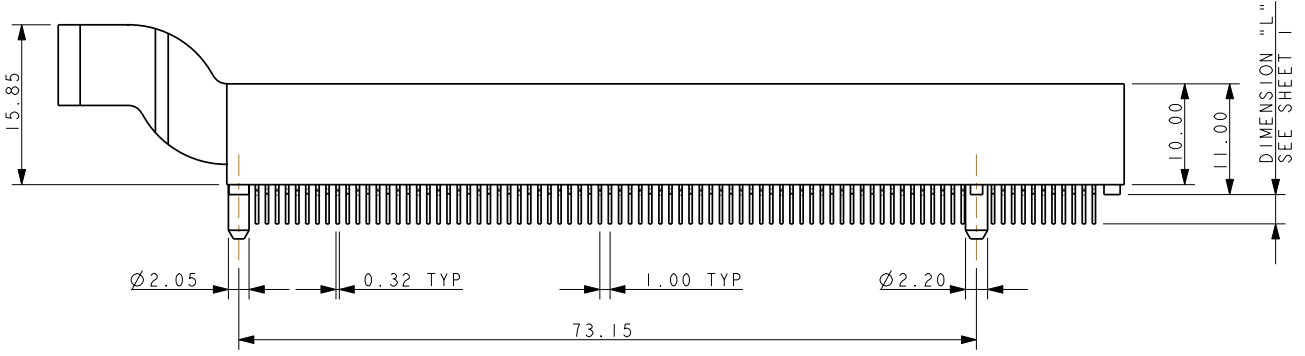
DATE  
30-Jul-02  
Issue  
8

FORM-106-01-056-6 ISS 7

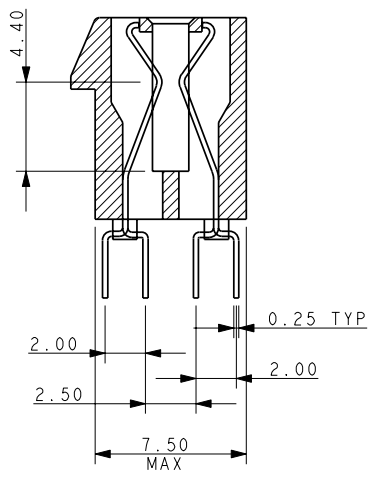
# 164 WAY CONNECTOR WITH LATCH



ELCO EUROPE (A DIVISION OF AVX LTD.) CONFIDENTIAL PROPRIETARY  
 THE DRAWING ON THIS PRINT AND INFORMATION THEREWITH ARE  
 PROPRIETARY TO ELCO EUROPE (A DIVISION OF AVX LTD.) AND  
 SHALL NOT BE USED OR DISCUSSED IN WHOLE OR IN PART  
 WITHOUT ELCO EUROPE'S WRITTEN CONSENT.



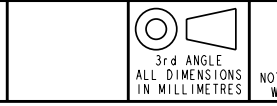
- NOTES :-
1. ALL DIMENSIONS ARE REFERENCE DIMENSIONS UNLESS TOLERANCED.
  2. INSULATOR MATERIAL :- 30% GLASS FILLED NYLON 9T.
  3. CONTACT MATERIAL :- PHOSPHOR BRONZE.
  4. INSERTION FORCE :- 1.15N MAX PER PAIR OF CONTACTS.  
 WITHDRAWAL FORCE :- 1.15N MAX PER PAIR OF CONTACTS  
 CONTACT RETENTION :- 4.9N MIN PER CONTACT.
  5. CONTACT RESISTANCE :- 30MILLIOHMS MAX .  
 INSULATION RESISTANCE :- 1000MEGOHMS MIN AT 500V AC.  
 CURRENT RATING :- 1.1A
  6. OPERATING TEMPERATURE :- -55°C TO +105°C.
  7. PCB LAYOUT SEE SHEETS 7 AND 9.



ELCO EUROPE (A DIVISION OF AVX LTD.) CONFIDENTIAL PROPRIETARY  
 THE DRAWING ON THIS PRINT AND INFORMATION THEREWITH ARE  
 PROPRIETARY TO ELCO EUROPE (A DIVISION OF AVX LTD.) AND  
 SHALL NOT BE USED OR DISCUSSED IN WHOLE OR IN PART  
 WITHOUT ELCO EUROPE'S WRITTEN CONSENT.

164 WAY LATCHING CONNECTOR  
 SHEET 6 OF 9

Release No.	History
102102	102124
102197	102227
102319	102368
102392	102480



**ELCO**  
 © COPYRIGHT ELCO EUROPE  
 NOT TO BE DISCLOSED OR COPIED  
 WITHOUT WRITTEN PERMISSION

Drawn  
 N.C.H.  
 Size  
 CV

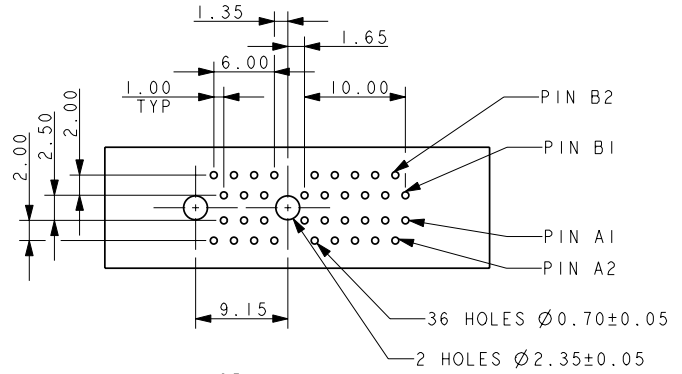
Description  
 6325 PCI CONNECTOR ORDERING CODE  
 Part Number  
 20-6325-01S

DATE  
 30-Jul-02  
 Issue  
 8

FORM-106-01-056-6 ISS 7

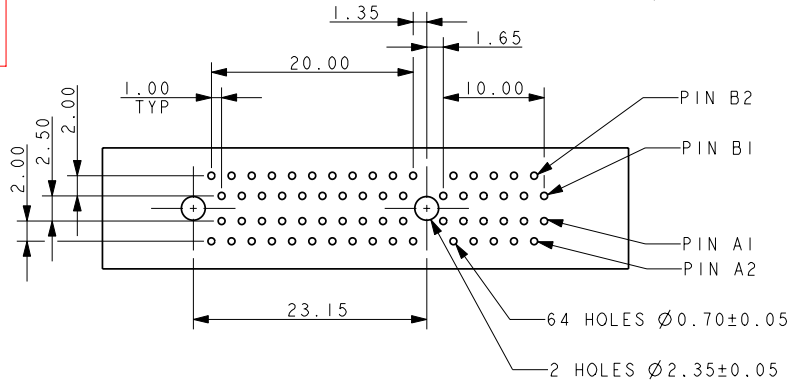
**SUGGESTED PCB LAYOUT - PINS**

**36 WAY CONNECTOR**

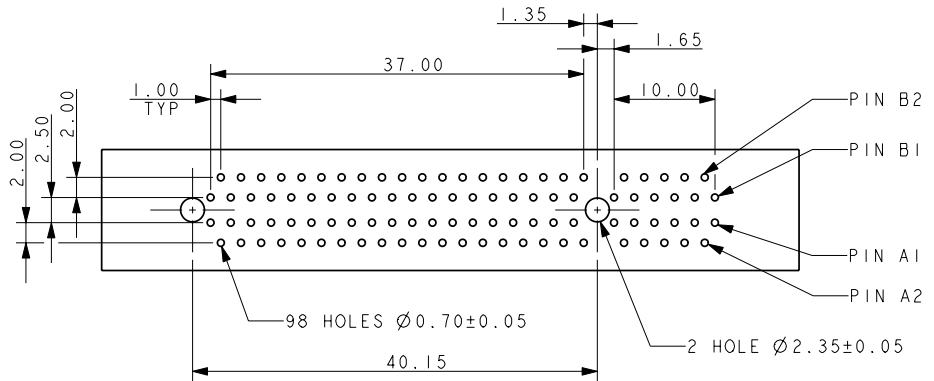


ELCO EUROPE (A DIVISION OF AVX LTD.) CONFIDENTIAL PROPRIETARY THE DRAWING ON THIS PRINT AND INFORMATION THEREWITH ARE PROPRIETARY TO ELCO EUROPE (A DIVISION OF AVX LTD.) AND SHALL NOT BE USED OR DISCUSSED IN WHOLE OR IN PART WITHOUT ELCO EUROPE'S WRITTEN CONSENT.

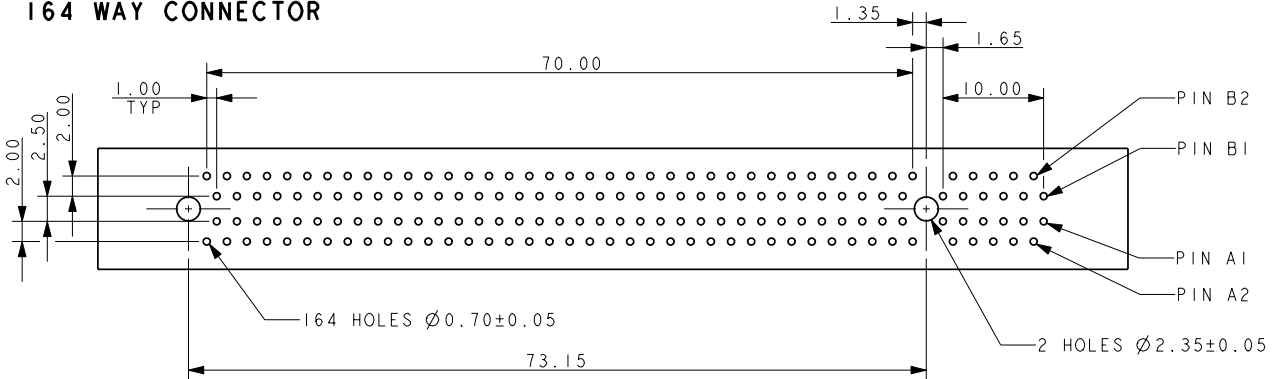
**64 WAY CONNECTOR**



**98 WAY CONNECTOR**



**164 WAY CONNECTOR**



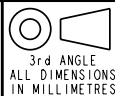
ELCO EUROPE (A DIVISION OF AVX LTD.) CONFIDENTIAL PROPRIETARY THE DRAWING ON THIS PRINT AND INFORMATION THEREWITH ARE PROPRIETARY TO ELCO EUROPE (A DIVISION OF AVX LTD.) AND SHALL NOT BE USED OR DISCUSSED IN WHOLE OR IN PART WITHOUT ELCO EUROPE'S WRITTEN CONSENT.

PCB THICKNESS, SEE SHEET 1.



PCB LAYOUT SHEET 7 OF 9

Release No.	History
I02034	I02102
I02124	I02197
I02227	I02319
I02368	I02392
I02480	



**ELCO**  
 © COPYRIGHT ELCO EUROPE NOT TO BE DISCLOSED OR COPIED WITHOUT WRITTEN PERMISSION

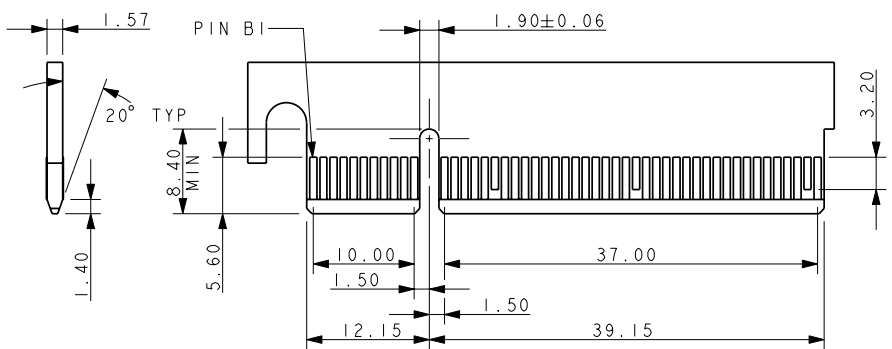
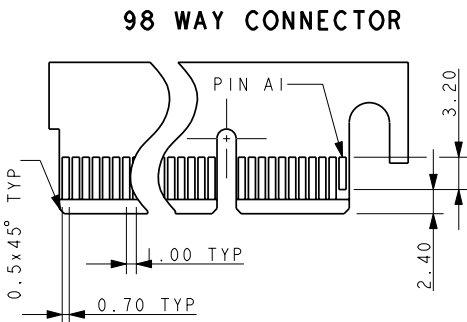
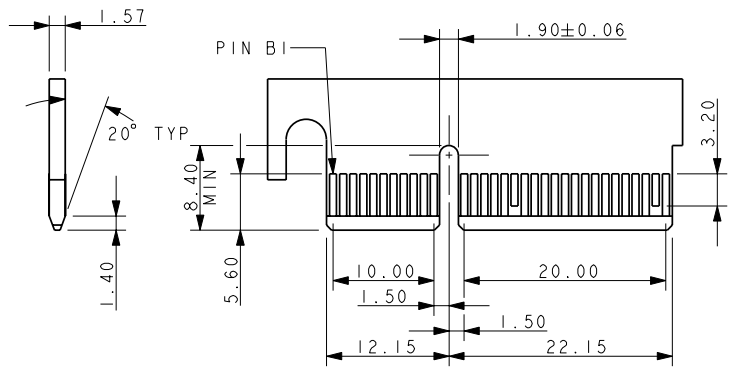
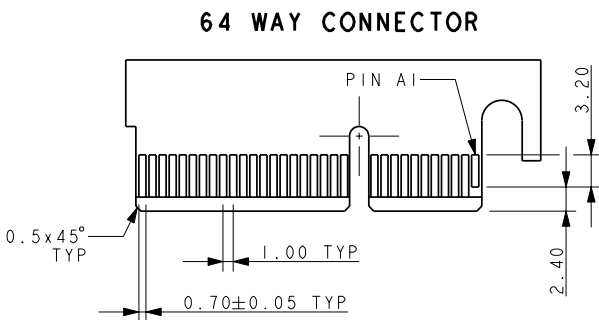
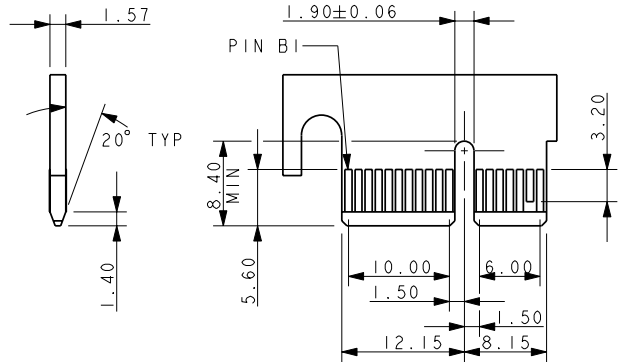
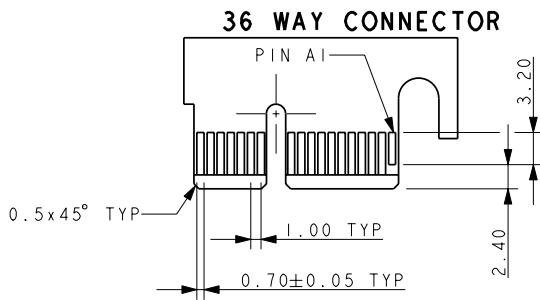
Drawn N.C.H.  
 Size CV

Description 6325 PCI CONNECTOR ORDERING CODE  
 Part Number 20-6325-01S

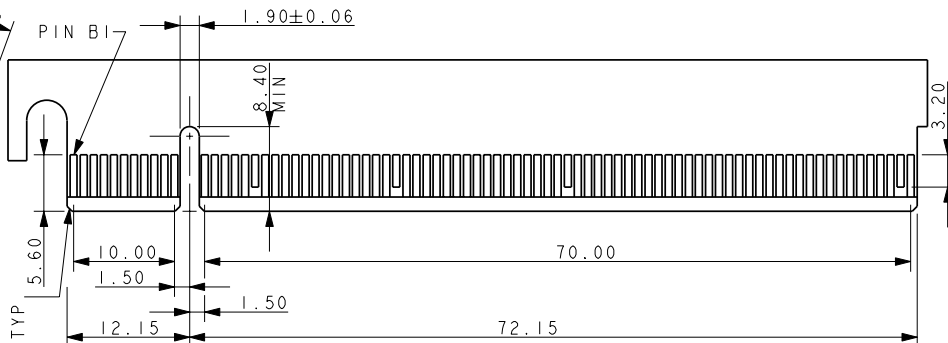
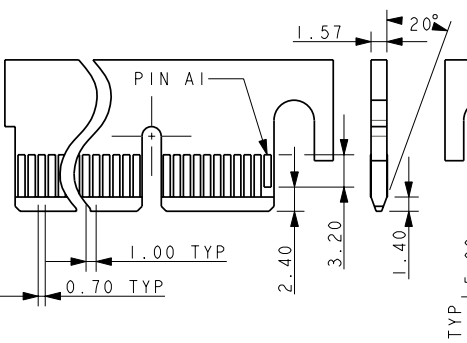
DATE 30-Jul-02  
 Issue 8

**SUGGESTED PCB LAYOUT - PCB EDGE  
(NOT LATCHING STYLE)**

ELCO EUROPE (A DIVISION OF AVX LTD.) CONFIDENTIAL PROPRIETARY  
THE DRAWING ON THIS PRINT AND INFORMATION THEREWITH ARE  
PROPRIETARY TO ELCO EUROPE (A DIVISION OF AVX LTD.) AND  
SHALL NOT BE USED OR DISCUSSED IN WHOLE OR IN PART  
WITHOUT ELCO EUROPE'S WRITTEN CONSENT.



**164 WAY CONNECTOR (NOT LATCHING STYLE)**  
(EDGE PROFILE OF PCB AS CENTRE VIEW FOR 36 WAY CONNECTOR)

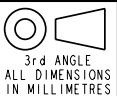


ELCO EUROPE (A DIVISION OF AVX LTD.) CONFIDENTIAL PROPRIETARY  
THE DRAWING ON THIS PRINT AND INFORMATION THEREWITH ARE  
PROPRIETARY TO ELCO EUROPE (A DIVISION OF AVX LTD.) AND  
SHALL NOT BE USED OR DISCUSSED IN WHOLE OR IN PART  
WITHOUT ELCO EUROPE'S WRITTEN CONSENT.



PCB LAYOUT  
SHEET 8 OF 9

Release No.	
History	
I02034	
I02102	
I02124	
I02197	
I02227	
I02319	
I02368	
I02392	
I02480	



**ELCO**  
© COPYRIGHT ELCO EUROPE  
NOT TO BE DISCLOSED OR COPIED  
WITHOUT WRITTEN PERMISSION

Drawn  
N.C.H.  
Size  
CV

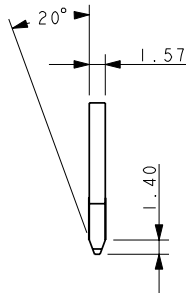
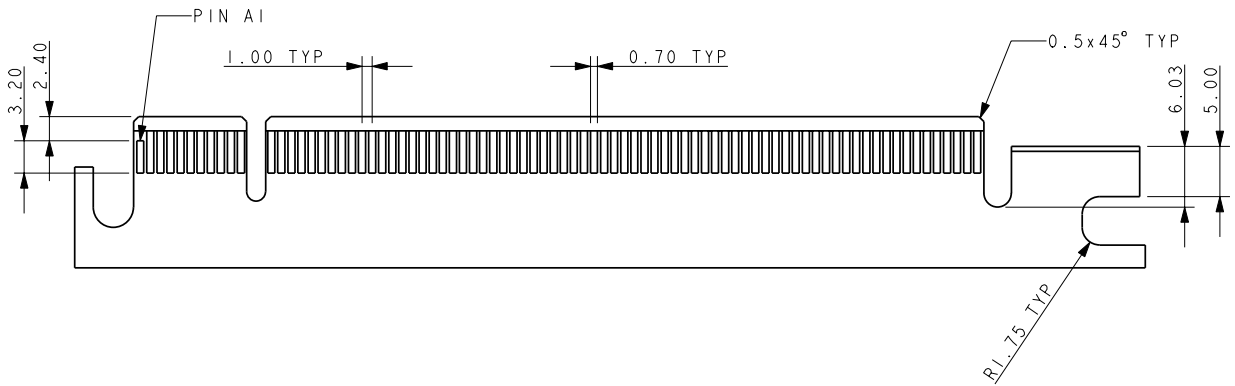
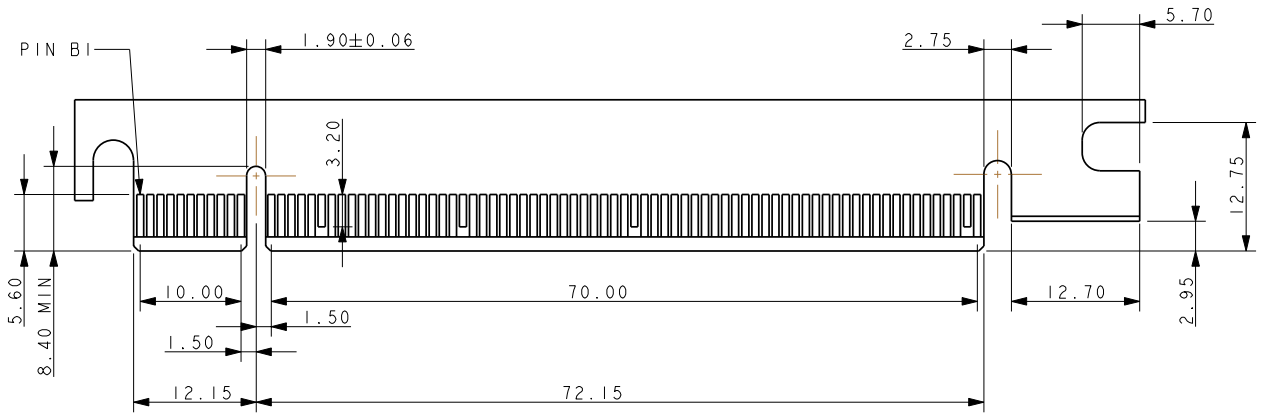
Description  
6325 PCI CONNECTOR ORDERING CODE  
Part Number  
20-6325-01S

DATE  
30-Jul-02  
Issue  
8



**SUGGESTED PCB LAYOUT - PCB EDGE**  
**164 PIN LATCHING STYLE**  
 PIN PCB LAYOUT SEE SHEET 7

ELCO EUROPE (A DIVISION OF AVX LTD.) CONFIDENTIAL PROPRIETARY  
 THE DRAWING ON THIS PRINT AND INFORMATION THEREWITH ARE  
 PROPRIETARY TO ELCO EUROPE (A DIVISION OF AVX LTD.) AND  
 SHALL NOT BE USED OR DISCUSSED IN WHOLE OR IN PART  
 WITHOUT ELCO EUROPE'S WRITTEN CONSENT.

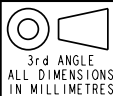


ELCO EUROPE (A DIVISION OF AVX LTD.) CONFIDENTIAL PROPRIETARY  
 THE DRAWING ON THIS PRINT AND INFORMATION THEREWITH ARE  
 PROPRIETARY TO ELCO EUROPE (A DIVISION OF AVX LTD.) AND  
 SHALL NOT BE USED OR DISCUSSED IN WHOLE OR IN PART  
 WITHOUT ELCO EUROPE'S WRITTEN CONSENT.

PCB LAYOUT - LATCHING CONNECTOR

SHEET 9 OF 9

Release No.  
 History  
 102368  
 102392  
 102480



**ELCO**  
 © COPYRIGHT ELCO EUROPE  
 NOT TO BE DISCLOSED OR COPIED  
 WITHOUT WRITTEN PERMISSION

Drawn  
 N.C.H.  
 Size  
 CV

Description  
 6325 PCI CONNECTOR ORDERING CODE  
 Part Number  
 20-6325-01S

DATE  
 14-JUN-06  
 Issue  
 8

FORM-106-01-056-6 ISS 7