

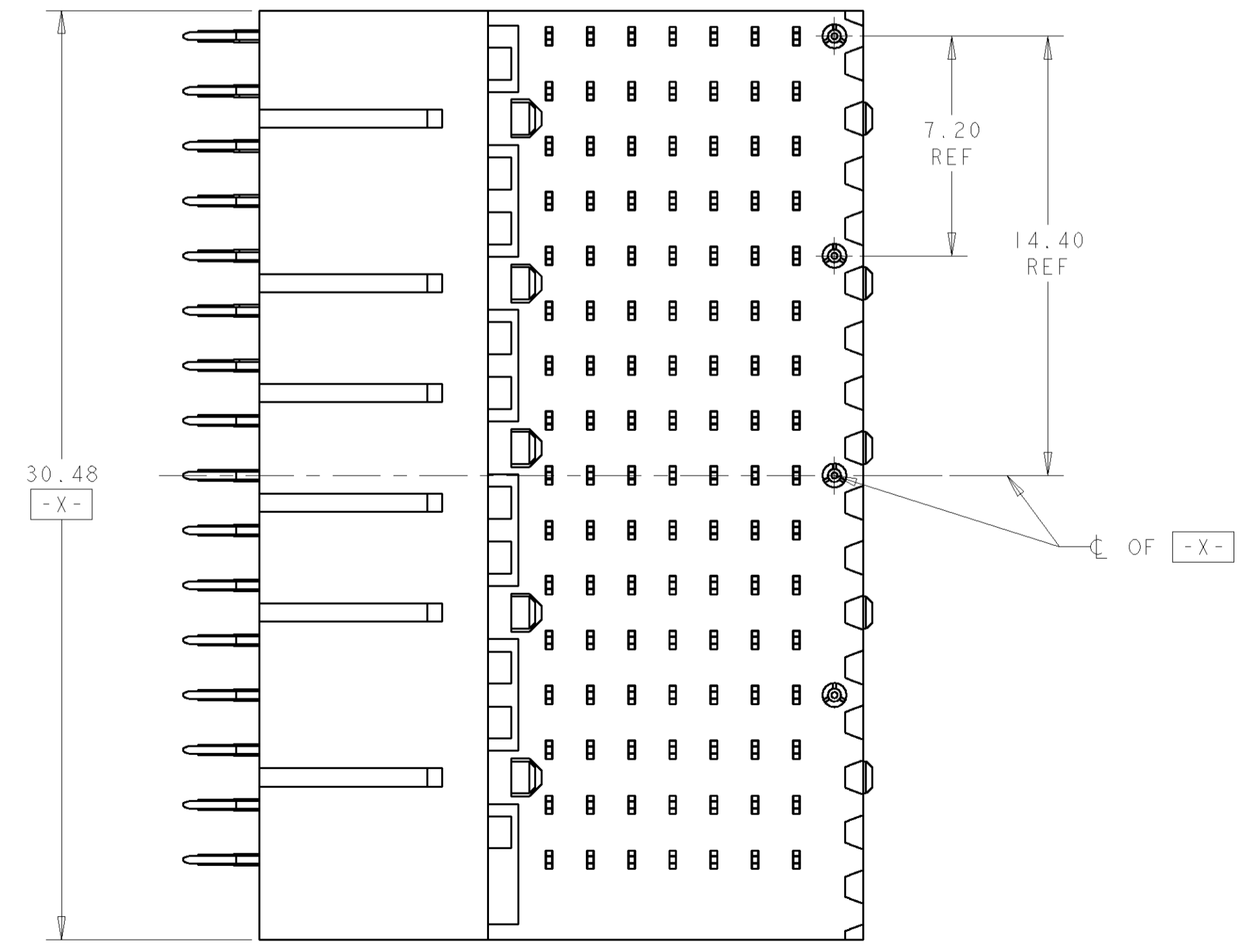
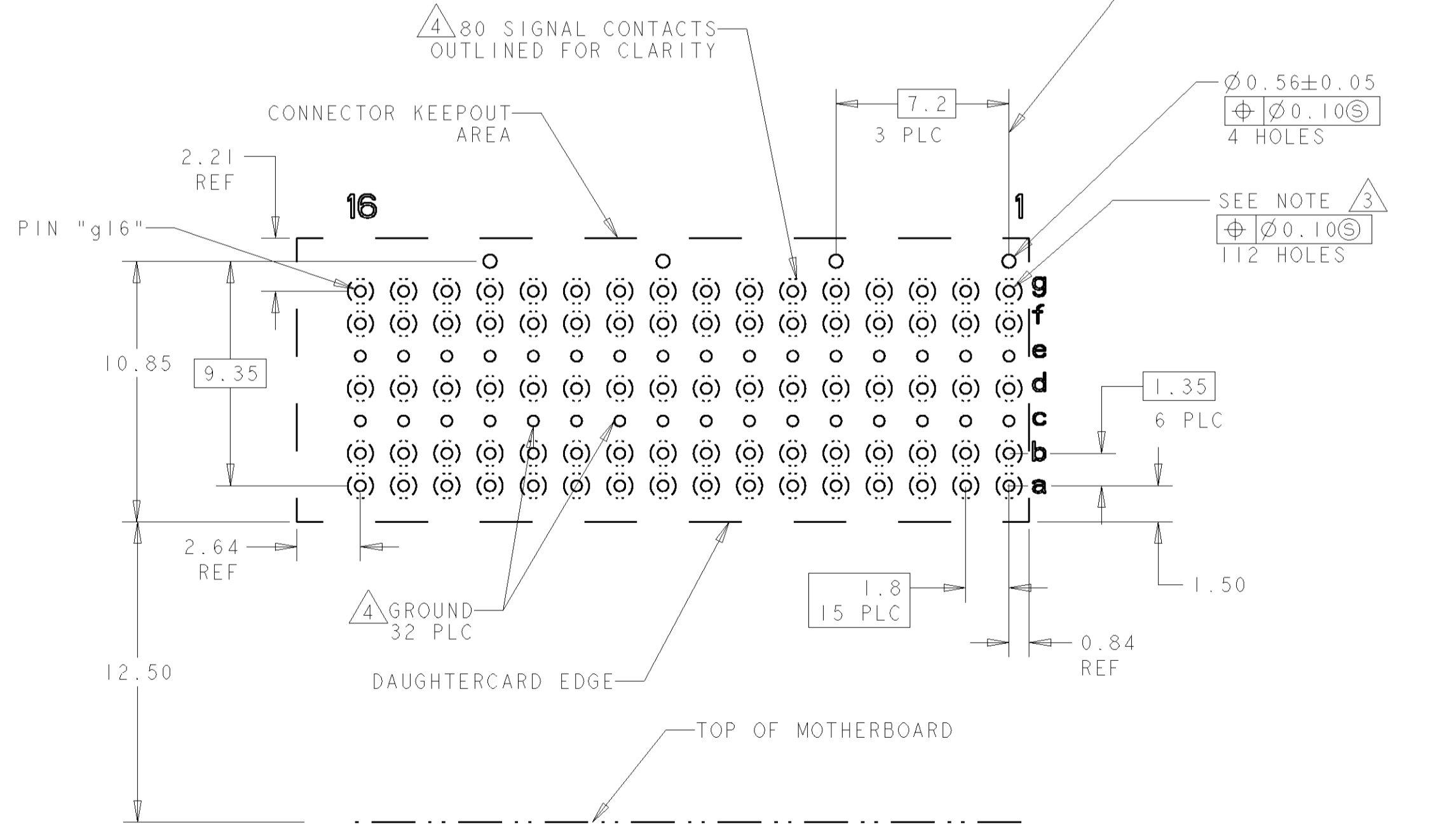
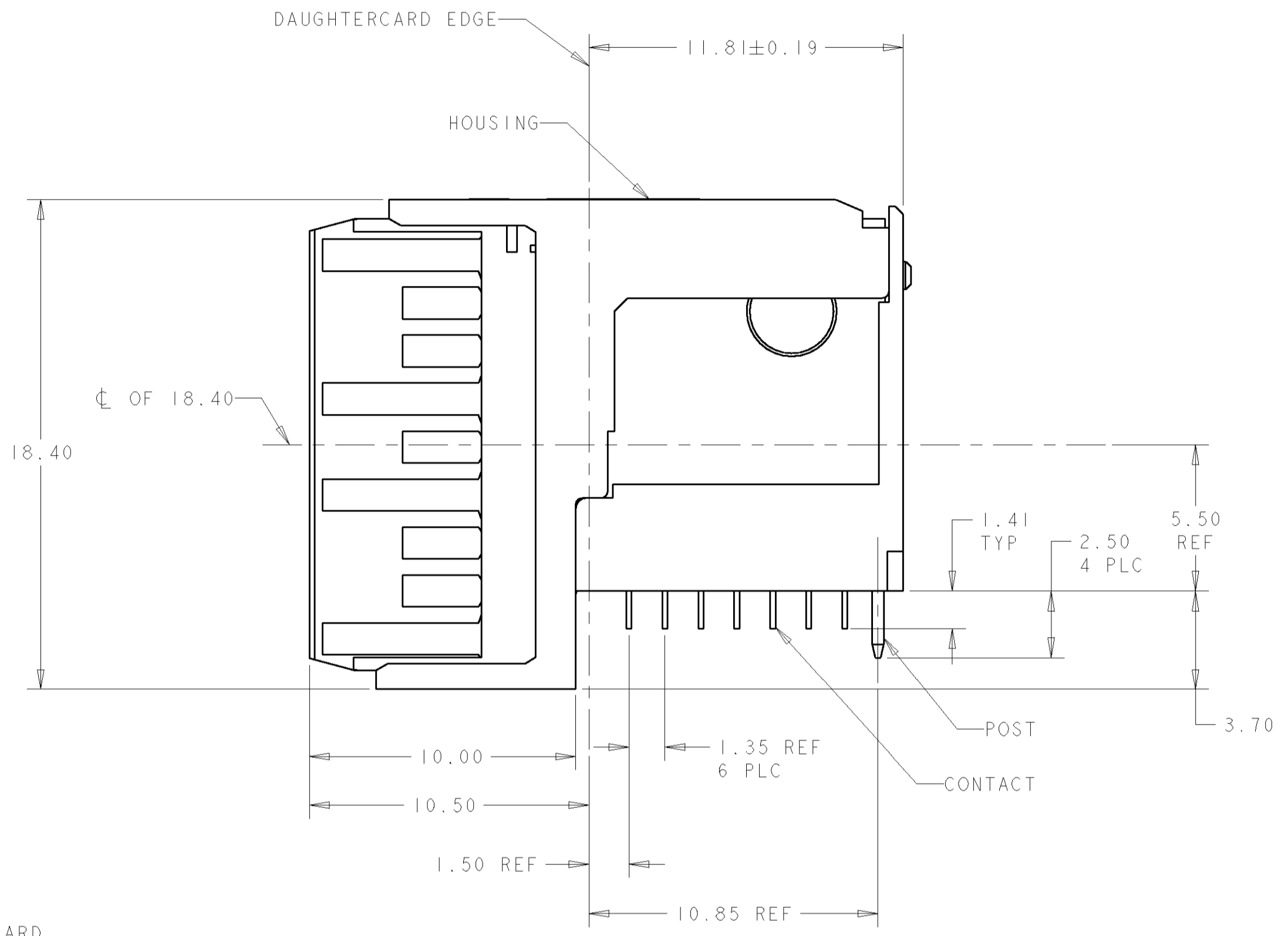
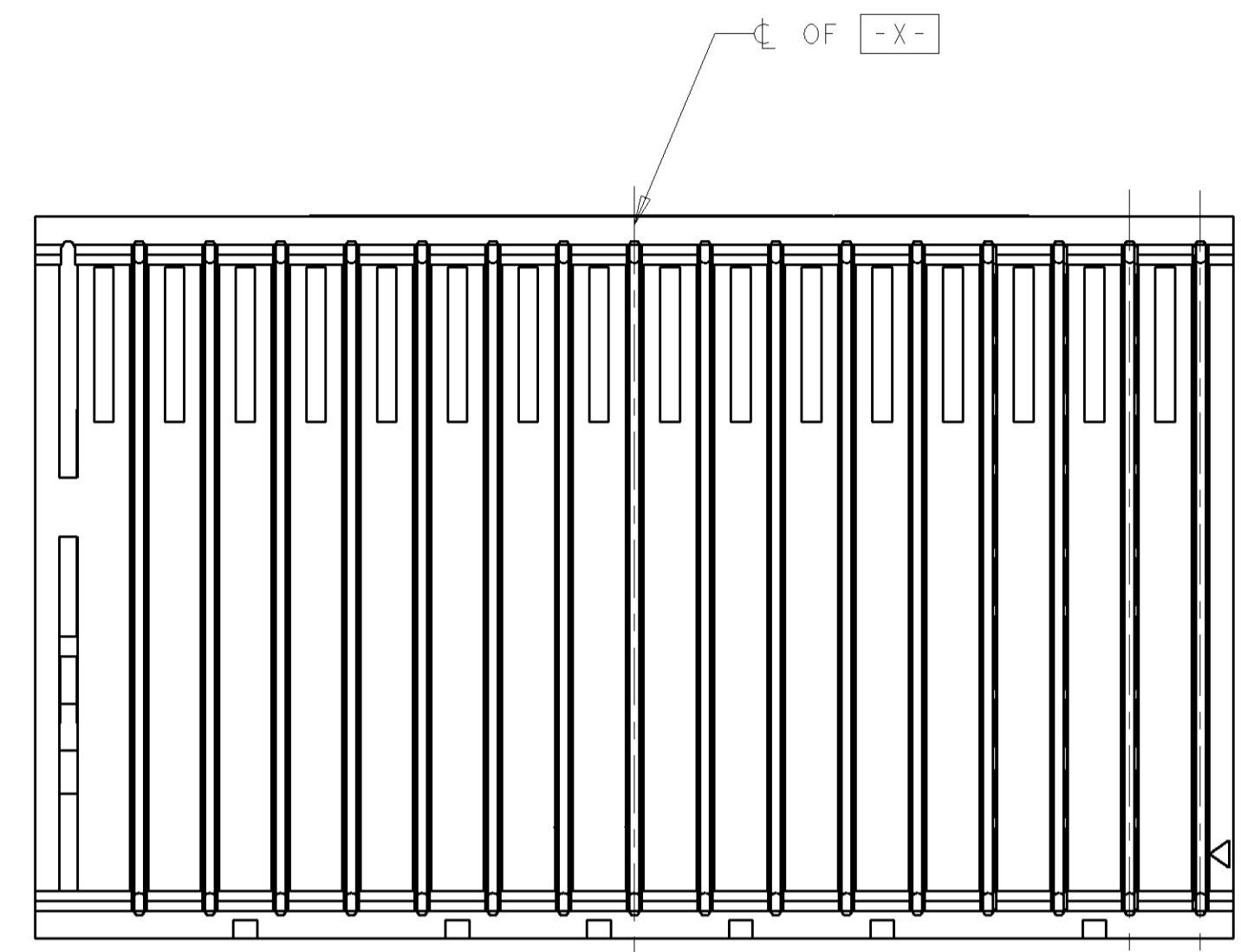
LOC	DIST	REVISIONS					
		P	LTR	DESCRIPTION	DATE	BY	APPD
GP	00	A		REV PER ECO-06-005380	14MAR2006	BC	GG

- △ HOUSING: LCP, UL94V0, COLOR: BLACK.
CONTACT: PHOSPHOR BRONZE.
POST: BRASS WIRE
- △ CONTACT: 0.76μm MIN GOLD IN PAD CONTACT AREA
1.27μm MIN TIN-LEAD ON PCB TAIL
OVER 1.27μm MIN NICKEL OVER ALL.
POST 1.27μm MIN NICKEL PLATED.
- △ MANUFACTURING TOLERANCE FOR $\varnothing 0.46 \pm 0.05$
DIAMETER FINISHED HOLE WITH SnPB PLATING:
DRILLED HOLE = $\varnothing 0.55 \pm 0.02$
COPPER PLATING = 0.025-0.050
Sn PB PLATING = 0.0038-0.0124
- OR MANUFACTURING TOLERANCE FOR $\varnothing 0.475 \pm 0.05$
DIAMETER FINISHED HOLE WITHOUT SnPB PLATING:
DRILLED HOLE = $\varnothing 0.55 \pm 0.02$
COPPER PLATING = 0.025-0.050
- △ SEE TABLE 1 FOR INTERCONNECTIONS TO
BACKPLANE CONNECTOR.
- △ CONTACT: 0.76μm MIN GOLD IN PAD CONTACT AREA
1.27μm MIN TIN ON PCB TAIL
OVER 1.27μm MIN NICKEL OVER ALL.
POST 1.27μm MIN NICKEL PLATED.
- △ CONTACT: 1.27μm MIN GOLD IN PAD CONTACT AREA
1.27μm MIN TIN-LEAD ON PCB TAIL
OVER 1.27μm MIN NICKEL OVER ALL.
POST 1.27μm MIN NICKEL PLATED.

TABLE 1
INTERCONNECTIONS WITH BACKPLANE CONNECTOR 1410142

TYPICAL INTERCONNECTIONS FOR EACH COLUMN (WAFER): 1-16		
CONTACT USAGE	DAUGHTERCARD CONNECTOR PIN	BACKPLANE CONNECTOR PIN
SIGNAL	ax	bx
SIGNAL	bx	cx
SIGNAL	dx	ex
SIGNAL	fx	gx
SIGNAL	gx	hx
GROUPS	cx, ex, (ALL COMMONED)	ax, dx, fx, ix

NOTE: "x" DESIGNATES THE COLUMN NUMBER



PC BOARD LAYOUT (CONNECTOR SIDE)
SCALE 5:1

△ 6	1410191-3
△ 5	1410191-2
△ 2	1410191-1
PLATING	PART NO

DIMENSIONS: mm 		TOLERANCES UNLESS OTHERWISE SPECIFIED: 0 PLC ± 1 PLC ±0.5 2 PLC ±0.13 3 PLC ± 4 PLC ± ANGLES ±1°		DWN: TJSIPE 01JUN2004 CHK: J.CONSOLE 01JUN2004 APPD: G.GRIFFITH 14MAR2006 PRODUCT SPEC: 108-2072 APPLICATION SPEC: 114-13056 WEIGHT: - CUSTOMER DRAWING		Tyco Electronics Harrisburg, PA 17105-3608 NAME: RIGHT-ANGLE PLUG ASSEMBLY, 7 ROW, RIGHT END, 20.3mm, SINGLE ENDED, MultiGig RT2, DAUGHTERCARD CONNECTOR SIZE: 00779 CAGE CODE: 1410191 SCALE: 3:1 SHEET 1 OF 1 REV A	
--------------------	--	--	--	---	--	--	--