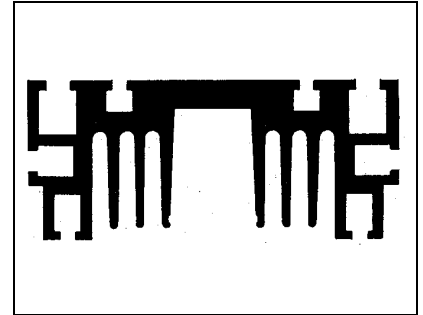
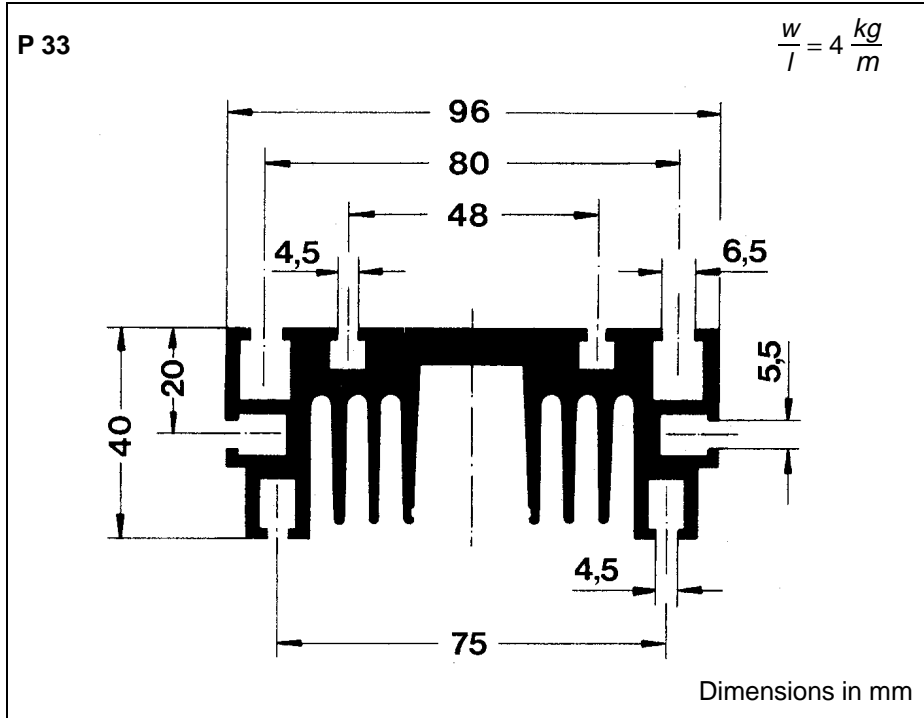


Standard lengths <sup>1)</sup>	n	R <sub>thha</sub> <sup>2)</sup> natural cooling °C/W	w g
<b>P 33/100</b>	1	1,90 (40 W)	400
	2	1,85 (40 W)	
<b>P 33/180</b>	3	2,24 (60 W)	720
<b>P 33/200</b>	3	1,16 (60 W)	800

**Heatsink**

**P 33**



**Features**

- Intended for isolated power modules; the SEMIPACK and SEMITRANS ranges, and also for the SEMIPONT bridge rectifier range
- Mounting channels are provided for additional accessories
- Available in various lengths

<sup>1)</sup> Non-standard lengths available on request

<sup>2)</sup> At the given total power dissipation

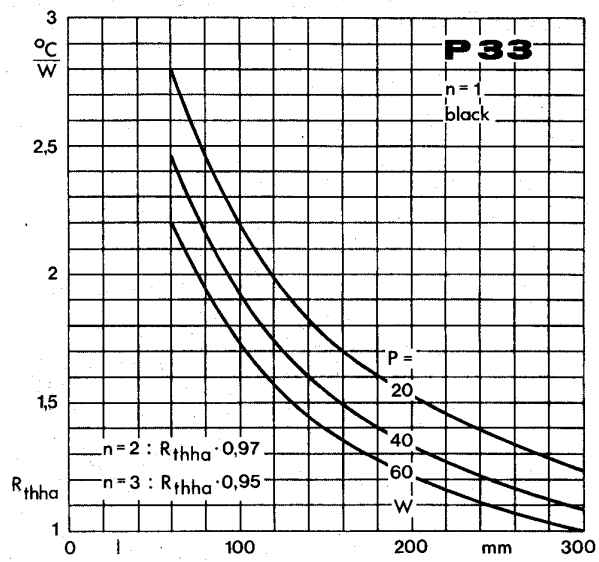


Fig. 2 Thermal resistance per component vs. length