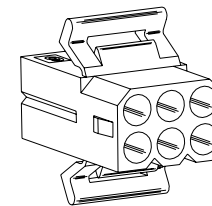
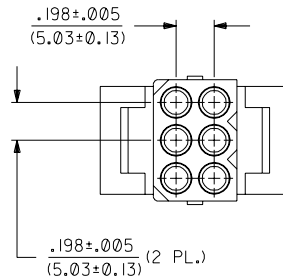
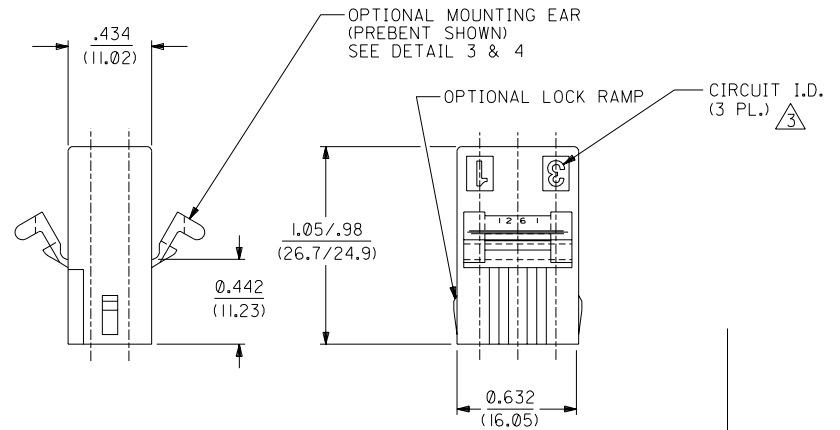
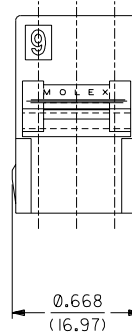
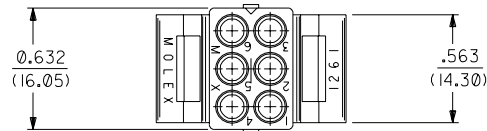


PLUG



RECEPTACLE

X2	ADD -PI-300&R3-300 UCP2003-1992 ELHAG	03-03-20
X1	REVISED UCR1998-0140 WANG	98-04-09
X	REVISE PER ECR U1 1800 CXC 5/28/92	RW
W	CORRECTED DIM. ECN * U1 0803 4-19-91	RW
V	REV'D. & REDRAWN PER ECR U9 1099 11/6/89	COMSTOCK

DIMENSIONS SHOWN (METRIC) INCH UNLESS OTHERWISE SPECIFIED TOLERANCES: ANGULAR ± .045 2°		▽ = 0 ▽ = 0 REVISE ONLY ON CAD SYSTEM	
3 PLACE ± .007	---	TITLE .093/(2.36) HOUSING, PLUG AND RECEPTACLE, 6 CKT., .198/(5.03) CTRS.	
2 PLACE ± .010	± 0.18	MOLEX INCORPORATED SHEET NO. 1 of 2 DATE 11 / 6 / 89	
1 PLACE ---	± 0.25	U.S.A.	
DRAFT WHERE APPLICABLE MUST REMAIN WITHIN DIMENSIONS		PART NO. DRWG. NO.	
DRWG. BY GXC		SEE CHART SD-1261-*	
CHK'D. BY RW		FILE NAME H125 IXL1 564	
APPR'D. BY GWF		SCALE 2:1	
THIS DRAWING CONTAINS INFORMATION THAT IS PROPRIETARY TO MOLEX INC. AND SHOULD NOT BE USED WITHOUT WRITTEN PERMISSION.			

PLUG	
PART NO.	ENG. NO.
03-09-2061	I261-P
23-09-2061	I261-P-100
03-09-2062	I261-PI
23-09-2062	I261-PI-100
03-09-7061	I261-PBK
03-09-7062	I261-PIBK
27-09-2093	I261-PI-200
50-29-0099	I261-PI-300

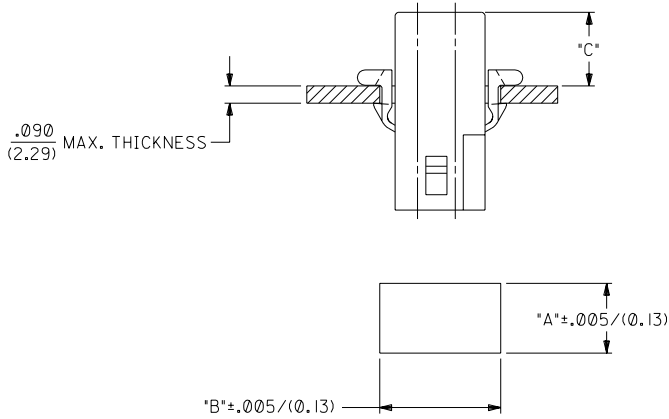
RECEPTACLE	
PART NO.	ENG. NO.
03-09-1061	I261-R
23-09-1061	I261-R-100
03-09-1062	I261-R1
23-09-1062	I261-R1-100
03-09-1063	I261-R2
23-09-1063	I261-R2-100
03-09-1064	I261-R3
27-09-1063	I261-R2-200
03-09-6064	I261-R3BK
03-09-6063	I261-R2BK
03-09-6062	I261-RIBK
03-09-6061	I261-RBK
50-29-1500	I261-R3-300

LEGEND: PLUG

I261-P***-***
 P = PLUG
 BLANK = PLUG WITH PREBENT MOUNTING EARS
 I = PLUG WITHOUT MOUNTING EARS
 COLOR: BLANK=NATURAL COLOR
 AM=AMBER BK=BLACK BU=BLUE
 BN=BROWN GY=GRAY GN=GREEN
 OR=ORANGE RD=RED YW=YELLOW
 MATERIAL: BLANK = NYLON 6/6, U.L. 94V-2
 100 = POLYPROPYLENE, U.L. 94V-0
 200 = NYLON 6/6, U.L. 94V-0, RED
 300 = NYLON 6/6, U.L. 94V-2, BLACK UV RESISTANT

LEGEND: RECEPTACLE

I261-R***-***
 R = RECEPTACLE
 BLANK = WITH STD. MOUNTING EARS, WITH LOCK RAMPS
 I = WITH STD. MOUNTING EARS, WITHOUT LOCK RAMPS
 2 = WITHOUT MOUNTING EARS, WITHOUT LOCK RAMPS
 3 = WITHOUT MOUNTING EARS, WITH LOCK RAMPS
 4 = WITH PREBENT MOUNTING EARS, WITH LOCK RAMPS
 5 = WITH PREBENT MOUNTING EARS, WITHOUT LOCK RAMPS
 COLOR: BLANK=NATURAL COLOR
 AM=AMBER BK=BLACK BU=BLUE
 BN=BROWN GY=GRAY GN=GREEN
 OR=ORANGE RD=RED YW=YELLOW
 MATERIAL: BLANK = NYLON 6/6, U.L. 94V-2
 100 = POLYPROPYLENE, U.L. 94V-0
 200 = NYLON 6/6, U.L. 94V-0, RED
 300 = NYLON 6/6, U.L. 94V-2, BLACK UV RESISTANT

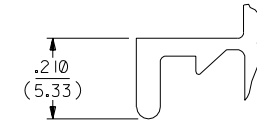


MOUNTING HOLE CUTOUT

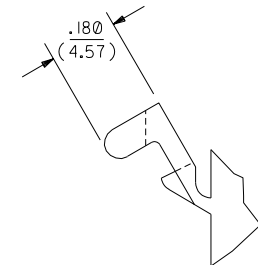
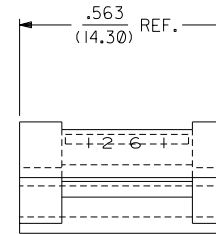
HOUSING	DIM. "A"	DIM. "B"	DIM. "C" (STD. EAR)	DIM. "C" (PREBENT)
PLUG	.750/(19.05)	.695/(17.65)	.39/(9.9)	.40/(10.1)
RECEPTACLE	.718/(18.24)	.600/(15.24)	.40/(10.1)	.41/(10.3)

NOTES:

- 1 THESE PARTS COMPLY WITH MOLEX PRODUCT SPEC. 02-09.
- 2 HOUSINGS FOR USE WITH MOLEX .093/(2.36) PIN AND SOCKET TERMINALS.
- 3 CIRCUIT I.D. NUMBERS ON SIDE OF HOUSING APPEAR ON PARTS FROM TOOLS BUILT AFTER 9/3/91.
- 4 WHERE DENOTED IN CHART, TOOLS ARE BUILT WITH PREBENT MOUNTING EARS PER DETAIL 4 AND SUPERSEDE ALL TOOLS PREVIOUSLY BUILT WITH THE STANDARD MOUNTING EAR.



DETAIL 3
 .093/(2.36) STANDARD MOUNTING EAR (SCALE 4:1)



DETAIL 4
 .093/(2.36) PREBENT MOUNTING EAR (SCALE 4:1)

DIMENSIONS SHOWN (METRIC) INCH UNLESS OTHERWISE SPECIFIED TOLERANCES: ANGULAR ± .2°	▽ = 0 ▼ = 0 REVISE ONLY ON CAD SYSTEM
INCH METRIC 5 PLACE ± .007 --- 2 PLACE ± .010 ± 0.18 1 PLACE --- ± 0.25	TITLE .093/(2.36) HOUSING, PLUG AND RECEPTACLE, 6 CKT., .198/(5.03) CTRS.
DRAFT WHERE APPLICABLE MUST REMAIN WITHIN DIMENSIONS	FROM: MOLEX INCORPORATED SHEET NO. DATE LISLE, ILL. 60532 U.S.A. 2 11/10/89
DRWG. BY: GWF CHK'D. BY: RW APP'D. BY: GWF SCALE: 4:1	PART NO. DRWG. NO. SEE CHART SD-1261-*
LTR. REVISIONS LTR. REVISIONS	FILE NAME: H1261X1.S02 DIV. CP THIS DRAWING CONTAINS INFORMATION THAT IS PROPRIETARY TO MOLEX INC. AND SHOULD NOT BE USED WITHOUT WRITTEN PERMISSION.