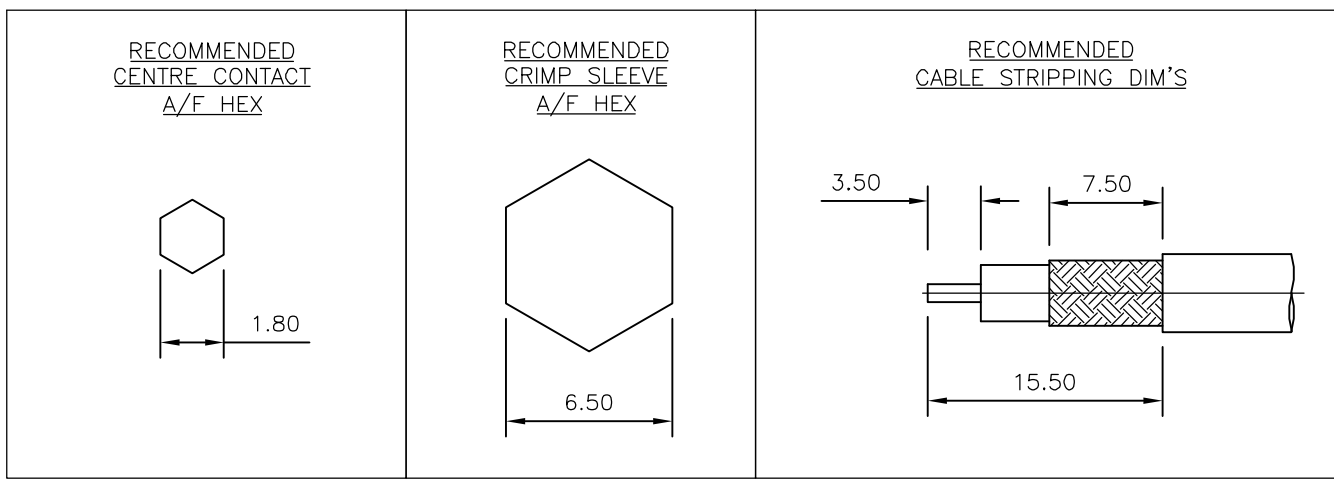
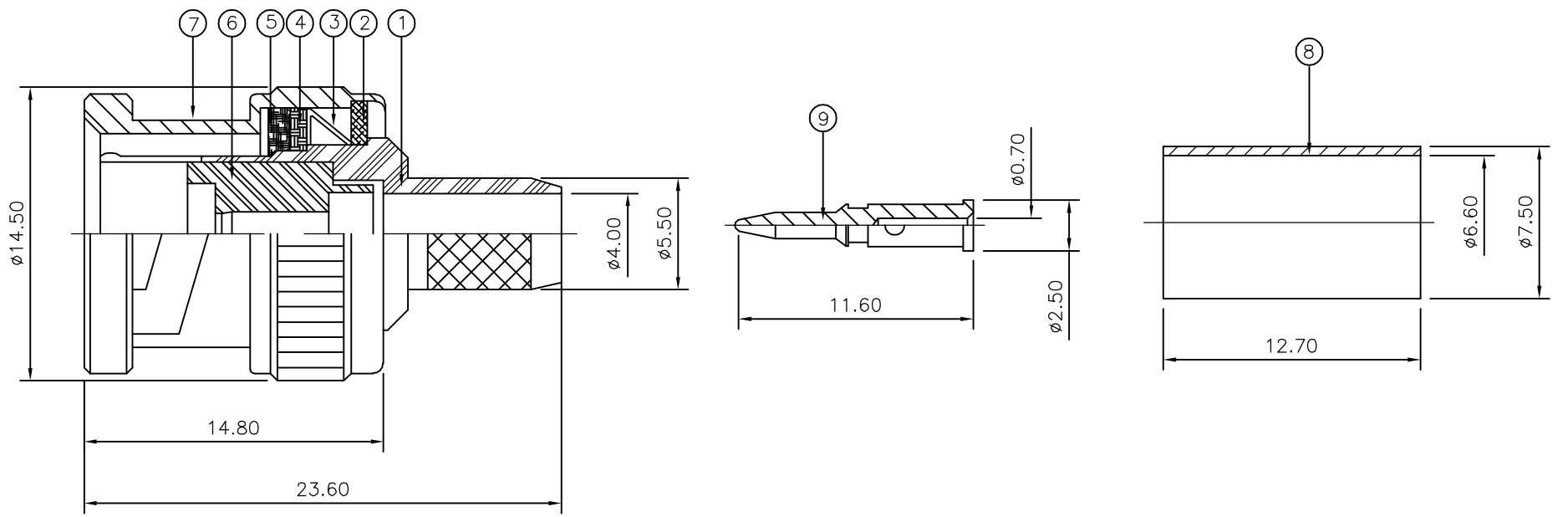


THIS DRAWING IS UNPUBLISHED. RELEASED FOR PUBLICATION NOV ,2005.  
 © COPYRIGHT 2005 BY TYCO ELECTRONICS CORPORATION. ALL RIGHTS RESERVED.

LOC	DIST	REVISIONS					
E	B	P	LTR	DESCRIPTION	DATE	DWN	APVD
		C		ECR-05-015880	22NOV05	JMS	FWK

- NOTES:**
- ① PACK IN ACCORDANCE WITH AMP SPEC 107-3275
  - ② 100 TRAY PACK IN ACCORDANCE WITH AMP SPEC 107-3275
  - ③ Ag PLATING
  - ④ THIS ITEM MUST BE WHITE
- 5 HAND TOOL : 9-1478240-0  
 6 DIE SET : 9-1478242-0
- 7 ELECTRICAL CHARACTERISTICS  
 FREQUENCY RANGE: DC - 2 GHz  
 NOMINAL IMPEDANCE: 75 Ohm  
 INSULATION RESISTANCE: 5000 MOhm  
 WORKING VOLTAGE: 500 Volts RMS at Sea Level  
 DIELECTRIC WITHSTAND VOLTAGE: 1500 Volts RMS Max  
 CONTACT RESISTANCE:  
 CENTRE CONTACT: 1.50 mOhm Max  
 OUTER CONTACT: 0.20 mOhm Max  
 VSWR @ 2GHz: 1.20:1 Max  
 INSERTION LOSS dB @ x 2 GHz: 0.20 Max
- 8 MECHANICAL CHARACTERISTICS  
 COUPLING RETENTION FORCE: 445N Min  
 CABLE RETENTION FORCE: 170N Min  
 DURABILITY: 500 Cycles Min
- 9 ENVIRONMENTAL CHARACTERISTICS  
 OPERATING TEMPERATURE: -65 to +165 DegC



QTY	UNIT	MATERIAL	DESCRIPTION	ITEM
1	1	BRASS	CONTACT	9
1	1	BRASS	FERRULE	8
1	1	BRASS	SHELL	7
1	1	PTFE	INSULATION	6
1	1	SILICON RUBBER	GASKET	5
1	1	BRASS	WASHER	4
1	1	SPRING STEEL	SPRING	3
1	1	BRASS	WASHER	2
1	1	BRASS	BODY	1
6--0	1--0	MATERIAL	DESCRIPTION	ITEM

THIS DRAWING IS A CONTROLLED DOCUMENT.

DWN	J.SANDWELL	22NOV05
CHK	S.PARLOW	22NOV05
APVD	F.WHEELER-KING	22NOV05
PRODUCT SPEC	108-3435	
APPLICATION SPEC	411-3247	
WEIGHT	-	

**tyco Electronics** Tyco Electronics Corporation  
Bideford EX39 4HE

NAME: BNC STRAIGHT PLUG CRIMP 75 OHM  
 RG59B/U, 62A/U, 140/U, 210/U, URM90, KX6A, KX25, KX52, KX53

SIZE	CAGE CODE	DRAWING NO	RESTRICTED TO
A3	00779	C-1337429	-

CUSTOMER DRAWING SCALE NTS SHEET 1 OF 1 REV C