

PLUG HOUSING

DIMENSIONS SHOWN (METRIC) INCH		UNLESS OTHERWISE SPECIFIED TOLERANCES ANGULAR $\pm .04^\circ$ 10	
	INCH	METRIC	
3 PLACE	$\pm .010$	---	
2 PLACE	$\pm .014$	± 0.25	
1 PLACE	---	± 0.36	
DRAFT WHERE APPLICABLE MUST REMAIN WITHIN DIMENSIONS			
DRWL. BY: GEP	CHK'D. BY: RW		
APP'D. BY: RAS	SCALE: 4 : 1		

TITLE		REVISE ONLY ON CAD SYSTEM	
.093/(2.36) HOUSING; PLUG AND RECEPTACLE; 2 CIRCUIT			
MOLEX INCORPORATED U.S.A.		SHEET NO. 1 OF 3	DATE 12/17/87
PART NO. 42191-2		DRWG. NO. SD-42191-2	
SEE CHART		DIV. CP	
THIS DRAWING CONTAINS INFORMATION THAT IS PROPRIETARY TO MOLEX INC. AND SHOULD NOT BE USED WITHOUT WRITTEN PERMISSION.			

REV.	SH.	REV.	LTR.	REVISIONS
3	E			
2	D			
1	E			

E	ADD -2RIGN OBS. -2P &-2R EC*2002-0347 10/11/01 BW
D2	ADD GRN COLOR OPT EC*2002-0246 BW 9/13/01
D1	ADD COLOR VERSION PER ERO 29636 CXC 3-8-90 RW
D	REVISED PER ECR #19 0353 08-01-89 RW
C	REVISED PER ECR #190163 KBW 02-28-89 RW
B	REV. PER ECR J8 1350 GEP 4-15-88 RW
A	REV. & FINAL REL. ERO 25890 GEP 1-22-88 RW
I	REV. & REDRAWN ERO 25683 GEP 12-17-87 RW

42191

PLUG		
PART NO.	ENG. NO.	OBSOLETE
03-09-2160	42191-2P	YES
03-09-2161	42191-2P1	
03-09-4161	42191-2P1RD	
03-09-4162	42191-2P1BU	
03-09-4163	42191-2P1GN	

RECEPTACLE		
PART NO.	ENG. NO.	OBSOLETE
03-09-1160	42191-2R	YES
03-09-1161	42191-2R1	
03-09-1162	42191-2R2	
03-09-1163	42191-2R3	
03-09-3161	42191-2R1RD	
03-09-3162	42191-2R1BU	
03-09-3163	42191-2R1GN	

LEGEND: PLUG

42191-2P***-

CIRCUIT SIZE

P = PLUG

BLANK = WITH PREBENT EARS

I = WITHOUT EARS

BLANK = NATURAL COLOR

AM=AMBER BK=BLACK BU=BLUE

BN=BROWN GY=GRAY GN=GREEN

OR=ORANGE RD=RED YW=YELLOW

BLANK = MATERIAL CODE A

LEGEND: RECEPTACLE

42191-2R***-

CIRCUIT SIZE

R = RECEPTACLE

BLANK = WITH PREBENT EARS, POSITIVE LOCK

1 = WITHOUT EARS, POSITIVE LOCK

2 = WITH PREBENT EARS, PASSIVE LOCK

3 = WITHOUT EARS, PASSIVE LOCK

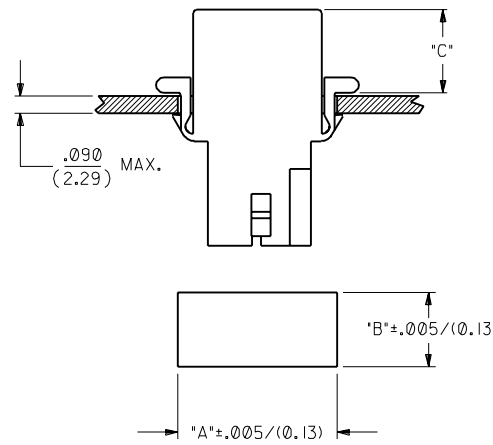
BLANK = NATURAL COLOR

AM=AMBER BK=BLACK BU=BLUE

BN=BROWN GY=GRAY GN=GREEN

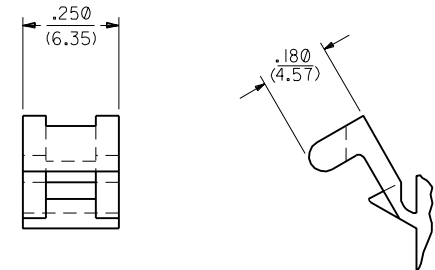
OR=ORANGE RD=RED YW=YELLOW

BLANK = MATERIAL CODE A



RECOMMENDED PANEL MOUNTING HOLE

HOUSING	DIM. "A"	DIM. "B"	DIM. "C"
PLUG	.831/(21.11)	.385/(9.78)	.44/(11.2)
RECEPTACLE	.831/(21.11)	.335/(8.51)	.46/(11.7)



DETAIL "A"

PREBENT MOUNTING EAR
SCALE 4:1

NOTES:

- MATERIAL CODES:
A = NYLON TYPE 6/6, 94V-2
- PART ACCEPTS DOUBLE WIRE CRIMPS OF 18 AWG MAXIMUM. EACH CIRCUIT WILL ALLOW ONE OF THE WIRES TO HAVE AN INSULATION THICKNESS OF .062/(1.57), THE OTHER HAVING AN INSULATION THICKNESS OF .031/(0.79).
- LOCK RAMP STYLE IS OPTIONAL ON THIS SIDE OF PART. CHOICE OF EITHER A POSITIVE LOCK RAMP OR A PASSIVE LOCK RAMP IS AVAILABLE.

REV.	REVISIONS	REV.	REVISIONS
E	SEE SHEET 1		
D2	SEE SHEET 1		
D1	SEE SHEET 1		
C	SEE SHEET 1		
B	SEE SHT. 1		
A	SEE SHT. 1		
I	SEE SHT. 1		
LTR.		LTR.	

DIMENSIONS SHOWN (METRIC) INCH	
UNLESS OTHERWISE SPECIFIED TOLERANCES ANGULAR ± 10°	
3 PLACE ± .010	---
2 PLACE ± .014	± 0.25
1 PLACE ---	± 0.36
DRAFT WHERE APPLICABLE MUST REMAIN WITHIN DIMENSIONS	
DRWG. BY: GEP	CHK'D. BY: RW
APP'D. BY: RAS	SCALE: --:--

REVISE ONLY ON CAD SYSTEM	
TITLE: .093/(2.36) HOUSINGS; PLUG AND RECEPTACLE; 2 CIRCUIT	
MOLEX INCORPORATED L15LE,ILL. 60532 U.S.A.	SHEET NO. 3 DATE 12/18/87
PART NO. SD-42191-2*	DRWG. NO.
SEE CHART	FILE NAME: S421912X3.DWG
THIS DRAWING CONTAINS INFORMATION THAT IS PROPRIETARY TO MOLEX INC. AND SHOULD NOT BE USED WITHOUT WRITTEN PERMISSION.	
CP	C