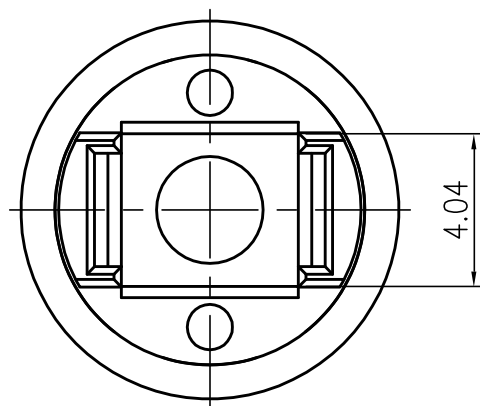
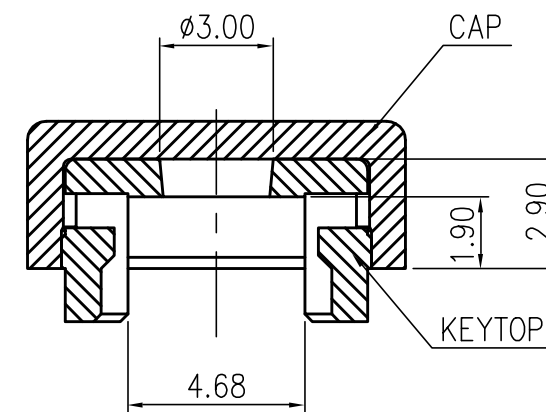
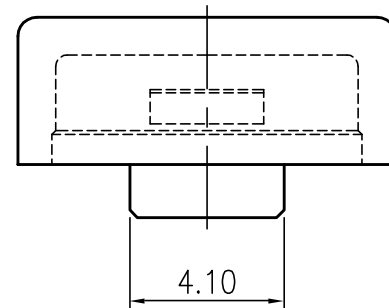
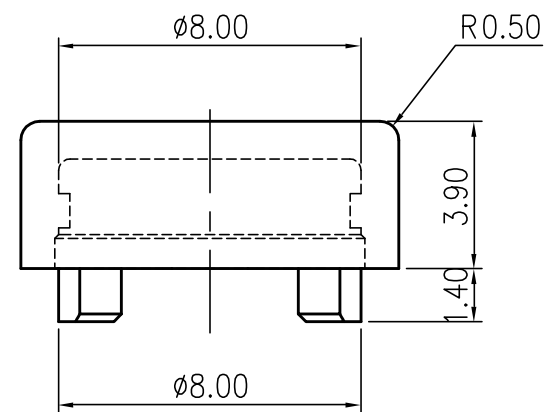
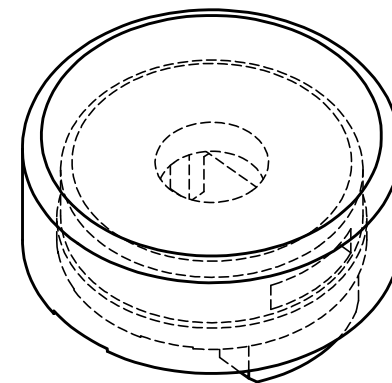
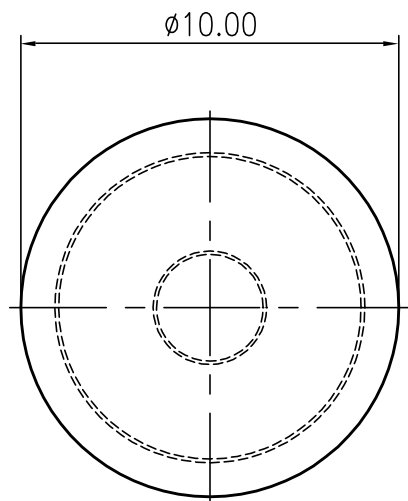


1 2 3 4 5 6 7 8 9 10

A
B
C
D
E
F
G
H

A
B
C
D
E
F
G
H



PART NO.	COLOR	
	CAP	KEYTOP
KTL-RAY	CLEAR	YELLOW
KTL-RAB	CLEAR	BLUE
KTL-RAR	CLEAR	RED
KTL-RAI	CLEAR	IVOLY
KTL-RAK	CLEAR	BLACK
KTL-RAG	CLEAR	GREEN
KTL-RAS	CLEAR	SALMON

NOTE:
1. ALL DIMENSIONS ARE IN MILLIMETERS.
BRACKETED DIMENSIONS ARE IN INCHES.
2. GENERAL TOLERANCES ± 0.3 mm

ZONE	REV.	DESCRIPTION	DATE	APPD.

APPD:	QTY:	 圓達實業股份有限公司 DIPTRONICS MANUFACTURING INC.	PART NAME:
CHKD:	SCALE: 5/1		CAP
DR: <i>Austin</i>	REV: A1	UNITS: mm	DWG NO:
DESIGN: <i>Austin</i>	 	PART NO: KTL-RA□	KTL-RA
		MAT L:	
		FINISH:	