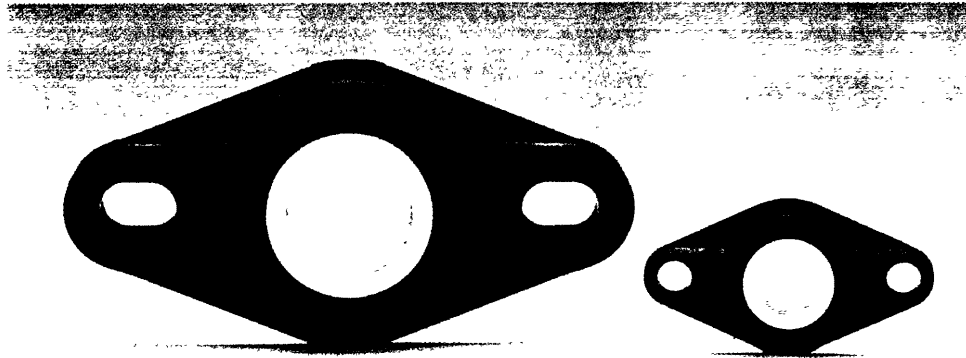


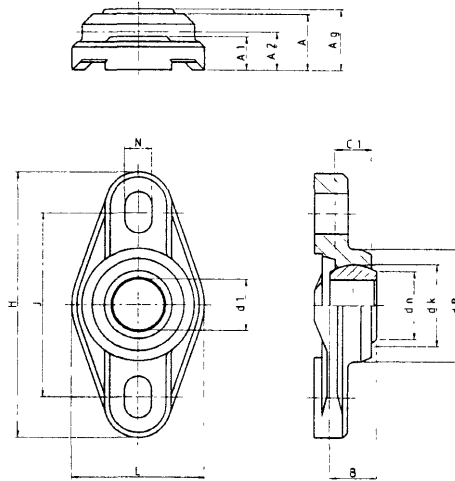
igubal® spherical flange bearings type E



igubal® spherical flange bearings, type E

igubal® spherical flange bearings

- ball made of extremely wear resistant iglidur® W300
- housing made of igumid G, impact resistant, dimensionally stable
- easy to fit
- self-aligning
- totally resistant against corrosion
- very low weight
- maintenance free dry operation



dimension table

for spherical flange bearings EFOM-xx

Part no	d1	d n	dk	B	C 1	dB	H	L	J	A g	A	A 2	A 1	N	angle max
	(E 10)						length	width	hole center +0,1/0 1	heigth	heigth housing	heigth middle of ball	depth of gap faces	hole	
EFOM-05	5,00	8,00	10,00	6,00	4,40	14,00	33,80	16,00	24,00	8,50	7,70	5,50	4,50	3,2 x 5,0	33°
EFOM-06	6,00	8,00	10,00	6,00	4,40	14,00	33,80	16,00	24,00	8,50	7,70	5,50	4,50	3,2 x 5,0	27°
EFOM-08	8,00	10,00	13,00	8,00	6,00	18,00	44,20	22,00	31,00	10,50	9,50	6,50	5,50	4,3 x 6,5	24°
EFOM-10	10,00	13,00	16,00	9,00	7,00	22,00	52,00	26,00	36,00	12,00	11,00	7,50	6,50	5,3 x 8,0	24°
EFOM-12	12,00	15,00	18,00	10,00	8,00	25,00	56,70	31,00	41,00	13,00	12,00	8,00	7,00	5,3 x 8,0	21°
EFOM-15	15,00	18,00	22,00	12,00	10,00	30,00	68,60	36,00	50,00	15,50	14,50	9,50	8,50	6,4 x 10,0	19°
EFOM-16	16,00	19,50	24,00	13,00	9,50	32,00	72,60	38,00	53,00	17,50	15,80	11,00	10,00	6,4 x 10,0	24°
EFOM-17	17,00	20,00	25,00	14,00	11,00	35,00	74,60	41,00	55,00	18,00	16,50	11,00	10,00	6,4 x 10,0	20°
EFOM-20	20,00	24,00	29,00	16,00	13,00	40,00	89,00	47,00	65,00	20,00	18,50	12,00	11,00	8,4 x 12,5	17°
EFOM-25	25,00	29,00	35,00	20,00	17,00	48,50	101,00	58,50	75,00	25,00	23,50	14,75	14,00	8,4 x 12,5	14°
EFOM-30	30,00	34,00	40,00	22,00	19,00	55,00	118,00	65,00	87,50	26,00	24,50	15,00	15,00	10,5 x 16,0	12°

Please ask for delivery time.

igubal® spherical
flange bearings type E

igus® GmbH P.O.BOX 906123
51127 Köln

Phone ++49/02203/9649 - 0
Fax ++49/02203/9649 - 222

Internet: <http://www.igus.de>
email: info@igus.de