

LED-10W/700mA

SPECIFICATIONS

Standards

Converter meets CE standards
 Pending approval by UL as a class 2 recognized component.
 UL File # E254177
 VDE and VDE EMV Pending
 RoHS compliant

Available Versions

- 901010700-LED 10W-700mA (plastic casing)
- 901010700P-LED 10W-700mA (aluminium casing/European version)
- 901010700PU-LED 10W-700mA (aluminium casing/USA version)

Mechanical and Thermal

PC plastic casing

Dimensions (mm) 27 x 40 x 100
 Dimensions (in) 1.06" x 1.57" x 3.94"
 Weight 90 grams / 3 ounces
 Tc Max 90°C
 Ta Max 50°C
 Terminal Block Connection

Aluminium casing/European version

Dimensions(mm) 23 x 40 x 81
 Weight 155 grams
 Tc Max 90°C
 Ta Max 50°C

Output wire – VDE 0250 0.75mm² 300/500V 180°C
 Input wire – VDE 0250 FEP/FEP 0.75mm² 300V 180°C

Aluminium casing/USA version

Dimensions (in) 0.91" x 1.57" x 3.19"
 Weight 5.45 ounces
 Tc Max 90°C
 Ta Max 50°C

Output wire – UL type 1332 or similar 18AWG 300V 200°C
 Input wire – UL type 1332 or similar 18 AWG 300V 200°C
 Grounding wire



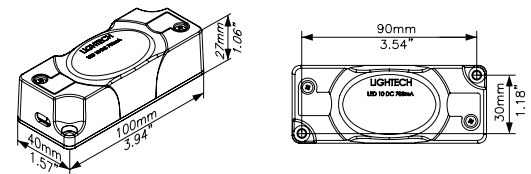
Electrical

Load	2-10VA
Input	120-240V 0/50/60Hz
Output current	700mA±50mA
Output voltage	2.3-15V
Efficiency	68%
EMC (RFI) –	
FCC Class A consumer limits/EN 55015	
Harmonics	EN 61000-3-2
Electrostatic Discharge	IEC61000-4-2
EMC Immunity	IEC61000-4-3
Burst	IEC61000-4-4
Surge	IEC61000-4-5
Injected RF	IEC61000-4-6
Mains interruption	IEC61000-4-11
Immunity	EN 61547/61047
Safety	EN 61347-2-13
SELV	

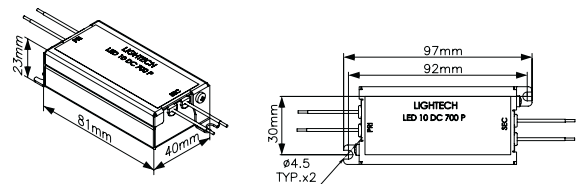
Protection and Regulation

Electronic internal resettable short circuit protection. Thermal protection and overload regulation.

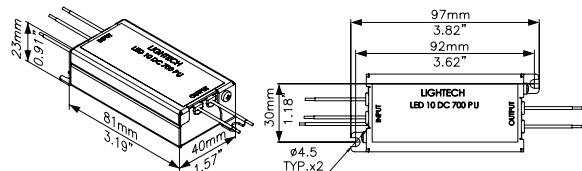
901010700



901010700P



901010700PU • 901010700HP



See reverse side for more information →

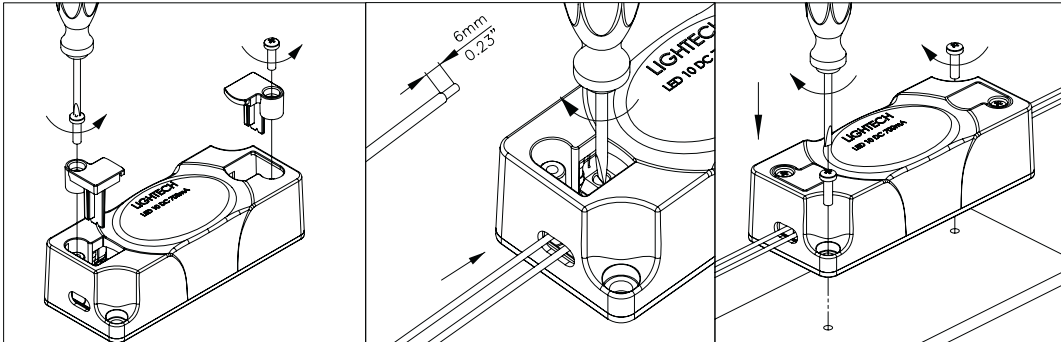


WWW.LIGHTTECHINC.COM

LED-10W/700mA

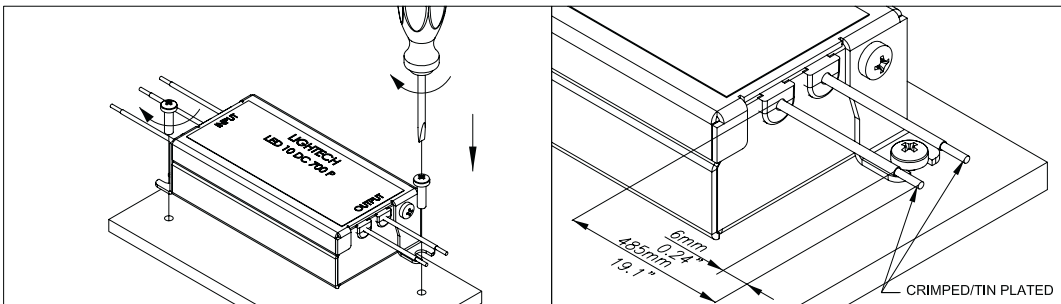
Mounting Instructions

901010700



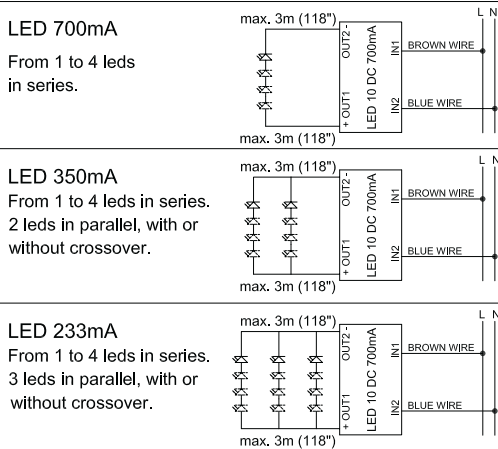
901010700P

901010700PU

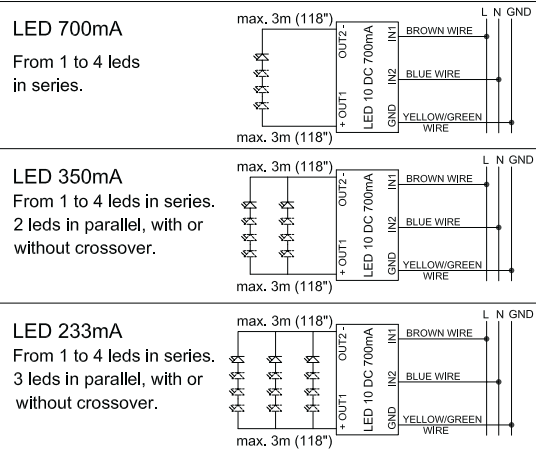


901010700

901010700P



901010700PU



Safety Instructions:

1. Always disconnect power before installation and/or removal of the unit.
2. Install in accordance with national and local electric codes.
3. Wires: Input and output wires 0.75mm² or 18AWG.