

APPLICABLE STANDARD		ANSI/TIA/EIA-568-B.2.10 CAT6a		
RATING	OPERATING TEMPERATURE RANGE	① -25 °C TO 60 °C	STORAGE TEMPERATURE RANGE	-25 °C TO 60 °C
	VOLTAGE	125 V AC	OPERATING HUMIDITY RANGE	95 % MAX
	CURRENT	1 A	APPLICABLE CABLE	—

SPECIFICATIONS

ITEM	TEST METHOD	REQUIREMENTS	QT	AT
------	-------------	--------------	----	----

CONSTRUCTION

GENERAL EXAMINATION	VISUALLY AND BY MEASURING INSTRUMENT.	ACCORDING TO DRAWING.	X	X
MARKING	CONFIRMED VISUALLY.		X	X

- ① THE OPERATION TEMPERATURE INCLUDES THE TEMPERATURE RISE BY CURRENT CARRYING.
 ② TEMPERATURE RANGE FOR A CONNECTOR UNMATED.
 ③ USE UNDER THE CONDITION RECOMMENDED BY A CABLE MANUFACTURE.

	COUNT	DESCRIPTION OF REVISIONS	DESIGNED	CHECKED	DATE
△					

REMARK	APPROVED	YH. ENAMI	09.06.02
	CHECKED	YH. ENAMI	09.06.02
	DESIGNED	MT. ITANO	09.06.02
	DRAWN	MT. ITANO	09.06.02

Unless otherwise specified, refer to JIS C 5402.

Note QT:Qualification Test AT:Assurance Test X:Applicable Test DRAWING NO. ELC4-126868-02

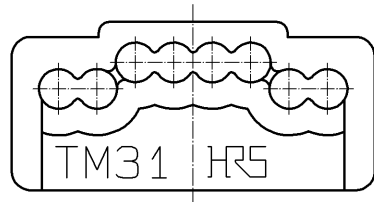
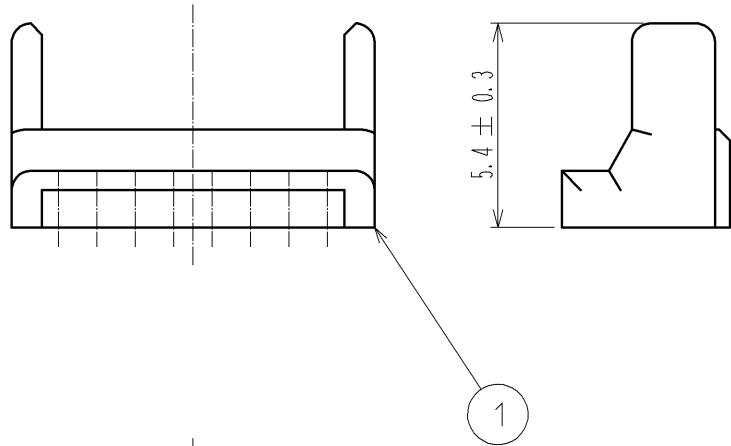
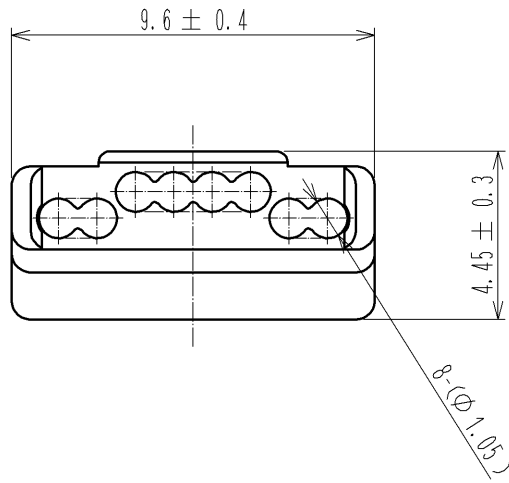
HRS	SPECIFICATION SHEET	PART NO.	TM31P-TM-88P (02)	
	HIROSE ELECTRIC CO., LTD.	CODE NO.	CL222-4626-7-02	△ 1/1

2009/06/02 20:05:04 MT. ITANO

A
B
C
D
E

A
B
C
D
E

1 2 3 4



1	POLYCARBONATE	(YELLOW)UL94V-2						
NO.	MATERIAL	FINISH . REMARKS	NO.	MATERIAL	FINISH . REMARKS			
UNITS mm		SCALE 5 : 1	COUNT 	DESCRIPTION OF REVISIONS		DESIGNED	CHECKED	DATE
HIROSE ELECTRIC CO., LTD.		APPROVED : YH. ENAMI	09.06.02	DRAWING NO.		EDC3-126868-02		
		CHECKED : YH. ENAMI	09.06.02	PART NO.		TM31P-TM-88P(02)		
		DESIGNED : MT. ITANO	09.06.02	CODE NO.		CL222-4626-7-02		
		DRAWN : MT. ITANO	09.06.02			1/1		

F