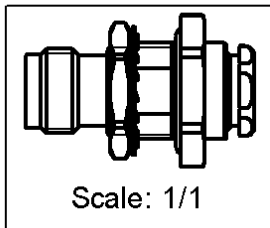
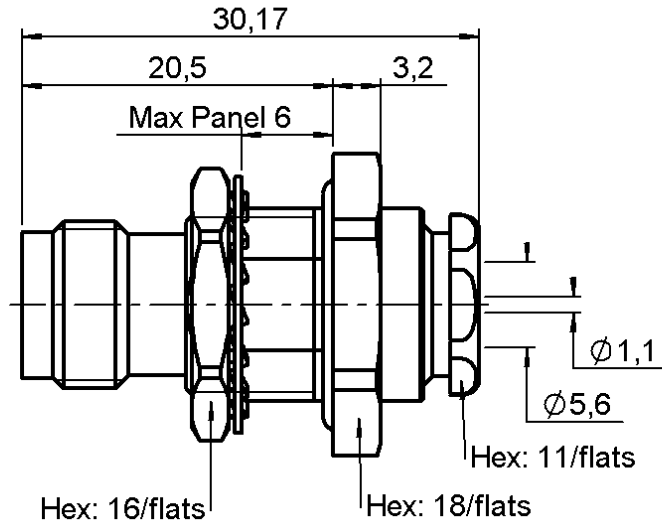


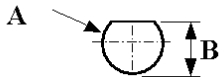
**STRAIGHT BULKHEAD JACK PANEL SEAL**  
**REAR MOUNT CLAMP TYPE - CABLE 5/50**

**R143.325.000**

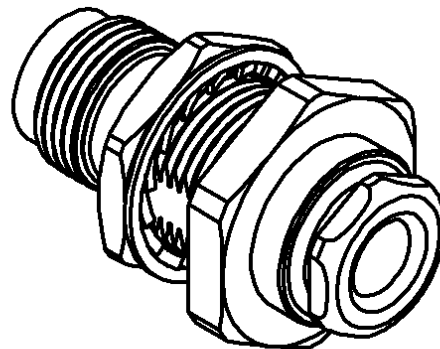
Series : TNC



**PANEL CUT OUT**



mm		
	Maxi	mini
A	12.8	12.7
B	12.1	12



All dimensions are in mm.

COMPONENTS	MATERIALS	PLATINGS (µm)
BODY	BRASS	NICKEL 2
CENTER CONTACT	BERYLLIUM COPPER	GOLD 0.5 OVER NICKEL 2
OUTER CONTACT	-	-
INSULATOR	PTFE	-
GASKET	SILICONE RUBBER	-
OTHERS PARTS	BRASS	NICKEL 2
-	-	-
-	-	-

Issue : 0225 D

In the effort to improve our products, we reserve the right to make changes judged to be necessary.



**STRAIGHT BULKHEAD JACK PANEL SEAL**

**R143.325.000**

**REAR MOUNT CLAMP TYPE - CABLE 5/50**

Series : TNC

**PACKAGING**

Standard	Unit	Other
<b>1</b>	-	<b>Contact us</b>

**SPECIFICATION**

**ELECTRICAL CHARACTERISTICS**

Impedance		<b>50</b>	$\Omega$
Frequency		<b>0-11</b>	GHz
VSWR	<b>1.30</b> +	<b>0.000</b>	x F(GHz) Maxi
Insertion loss		<b>0.06</b>	$\sqrt{F}$ (GHz) dB Maxi
RF leakage	- (	<b>57</b>	- F(GHz)) dB Maxi
Voltage rating		<b>500</b>	Veff Maxi
Dielectric withstanding voltage		<b>1500</b>	Veff mini
Insulation resistance		<b>5000</b>	M $\Omega$ mini

**CABLE ASSEMBLY**

Stripping	a	b	c	d	e	f
mm	2.50	7.00	0.00	0.00	3.00	0.00

Assembly instruction : **Clamp 02**

Recommended cable(s)

KX 23  
 RG 142 FTX  
 RG 141  
 RG 58  
 RG 142  
 RG 400  
 KX 15  
 RG 223

Cable retention

- pull off **180** N mini  
 - torque **NA** N.cm

**MECHANICAL CHARACTERISTICS**

Center contact retention			
Axial force – Mating end		<b>27</b>	N mini
Axial force – Opposite end		<b>27</b>	N mini
Torque		<b>NA</b>	N.cm mini

**TOOLING**

Part Number	Description	Hexagon
.	.	.

Recommended torque			
Mating		<b>NA</b>	N.cm
Panel nut		<b>370</b>	N.cm
Clamp nut		<b>450</b>	N.cm
A/F clamp nut		<b>11.000</b>	mm

**OTHERS CHARACTERISTICS**

Mating life		<b>500</b>	Cycles mini
Weight		<b>21.090</b>	g

**ENVIRONMENTAL**

Operating temperature		<b>-65/+165</b>	$^{\circ}$ C
Hermetic seal		<b>NA</b>	Atm.cm3/s
Panel leakage		<b>NA</b>	

Issue : 0225 D

In the effort to improve our products, we reserve the right to make changes judged to be necessary.

