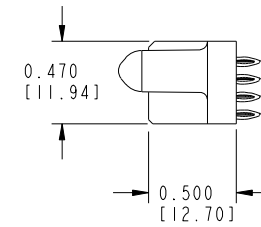
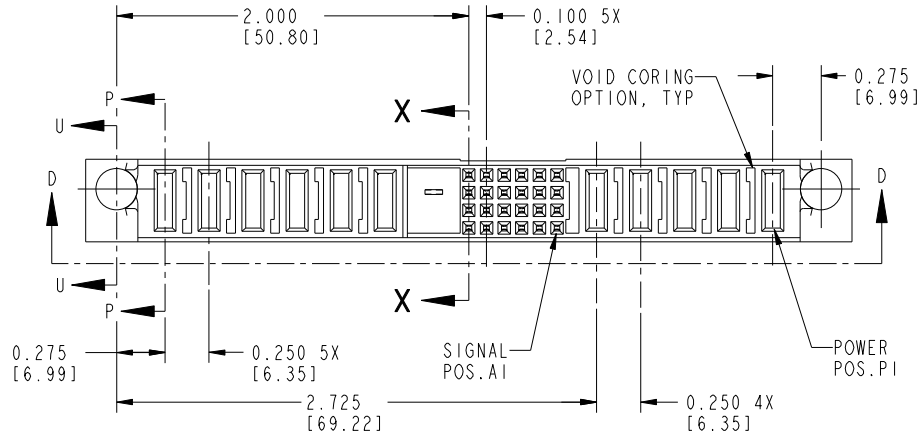
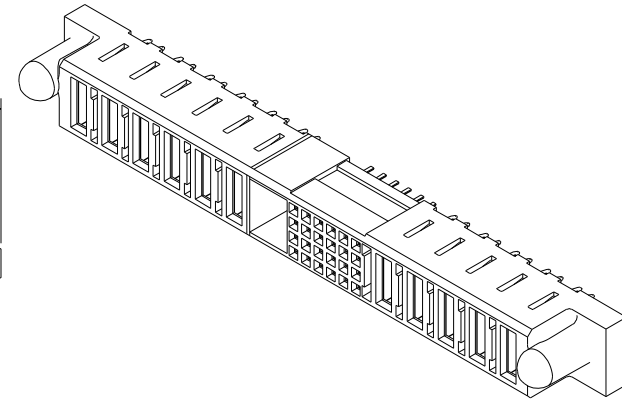
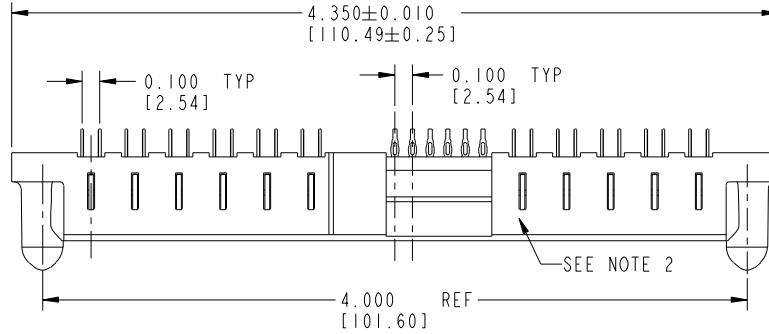


Tous droits strictement réservés. Reproduction ou communication à des tiers interdite sous quelque forme que ce soit sans autorisation écrite du propriétaire. Propriété de c.FCI. Droits de reproduction FCI.



All rights strictly reserved. Reproduction or issue to third parties in any form whatever is not permitted without written authority from the proprietor. Property of FCI. Copyright FCI.

PRODUCT NUMBER
51667-XX001--
NOTE: ③



mat'l code				NOTE 1		tolerances unless otherwise specified		CUSTOMER COPY		FCI www.fciconnect.com	
ltr	ecn no.	dr	date	linear	.XX ± .01 / .X ± .3	projection	INCH/MM		title 5P + 24S + 1M + 6P VERTICAL PRESSFIT RECEPTACLE		
A	V92819	SAR	09-21-99	angles	.XXX ± .005 / .XX ± .13	1:1		product family PwrBlade		code 213	
B	V94335	SAR	11-15-99		.XXX ± .0020 / .XXX ± .051			size dwg no 51667		sheet 1 of 4	
C	V00795	EKK	03-27-00		0° ± 2°						
D	V01870	CHB	08-03-00	dr	S. ROYER 09-21-99						
E	DG05-0266	CS	08/20/05	enrg	J. BROWN 09-21-99						
F	DG05-0508	CS	11/28/05	chr	J. BROWN 09-21-99						
G	DG07-0481	JC	11/29/07	appd	J. BROWN 09-21-99						
sheet index	revision sheet	G 1	G 2	G 3	G 4						

THIS FILE WAS ORIGINALLY CREATED IN THE PRO ENGINEER ENVIRONMENT AND ANY FUTURE REVISIONS TO THIS FILE MUST BE MADE IN THE PRO ENGINEER ENVIRONMENT

cage code 22526

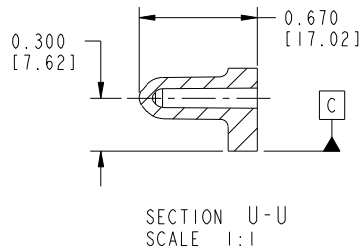
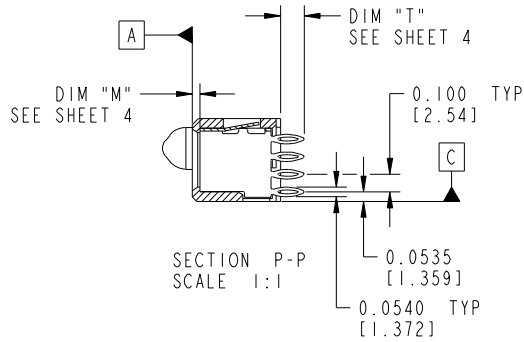
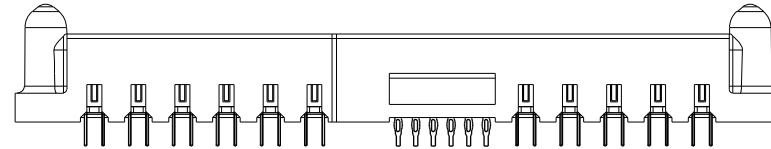
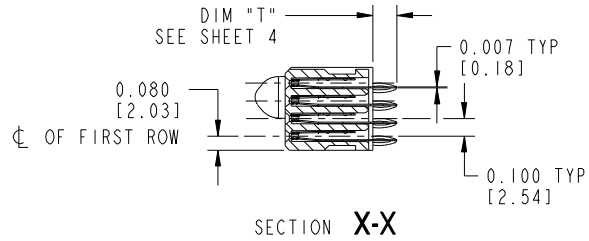
Pro/E

Tous droits strictement reserves. Reproduction ou communication a des tiers interdite sous quelque forme que ce soit sans autorisation ecrite du proprietaire. Propriete de c FCI. Droits de reproduction FCI.



All rights strictly reserved. Reproduction or issue to third parties in any form whatever is not permitted without written authority from the proprietor. Property of FCI. Copyright FCI.

PRODUCT NUMBER
51667-XX001--
NOTE: ③



mat'l code		NOTE 1		tolerances unless otherwise specified		CUSTOMER COPY		FCI www.fciconnect.com	
ltr	ecn no.	dr	date	linear	.XX ± .01 / .X ± .3	projection		title	
G				angles	.XXX ± .005 / .XX ± .13			5P + 24S + 1M + 6P VERTICAL PRESSFIT RECEPTACLE	
				dr	.XXX ± .0020 / .XXX ± .051	INCH/MM	product family	PwrBlade	code
				enr	0° ± 2°	scale	size	dwg no	213
				chr	S. ROYER 09-21-99	1:1	51667		sheet
				appd	J. BROWN 09-21-99				2 of 4
sheet index	revision sheet								

Pro/E

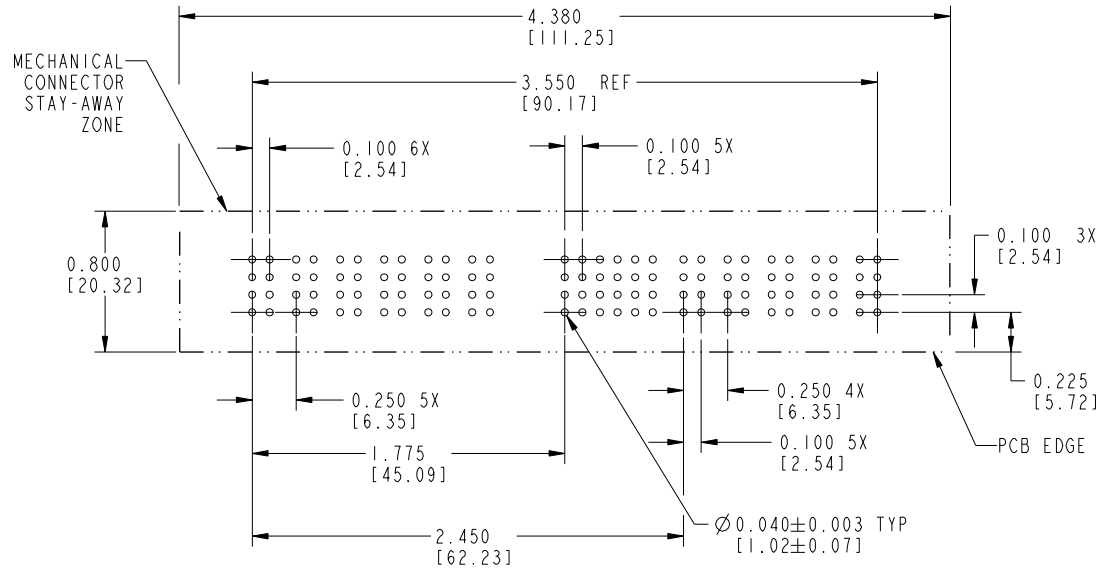
cage code 22526

Tous droits strictement réservés. Reproduction ou communication à des tiers interdite sous quelque forme que ce soit sans autorisation écrite du propriétaire. Propriété de c.FCI. Droits de reproduction FCI.



All rights strictly reserved. Reproduction or issue to third parties in any form whatsoever is not permitted without written authority from the proprietor. Property of FCI. Copyright FCI.

PRODUCT NUMBER
51667-XX001--
NOTE: ③



RECOMMENDED PCB LAYOUT

mat'l code				tolerances unless otherwise specified		CUSTOMER COPY		www.fciconnect.com		
ltr	ecn no.	dr	date	linear	XX ± .01 / .X ± .3	projection		title		
G					XXX ± .005 / .XX ± .13			5P + 24S + 1M + 6P		VERTICAL PRESSFIT RECEPTACLE
				angles	XXXX ± .0020 / .XXX ± .051			product family	PwrBlade	code
				dr	0° ± 2°	scale	1:1	size	dwg no	213
				enr	S. ROYER 09-21-99			51667		sheet
				chr	J. BROWN 09-21-99					3 of 4
				appd	J. BROWN 09-21-99					
sheet index	revision sheet									

cage code 22526

Pro/E

Tous droits strictement reserves. Reproduction ou communication a des tiers interdite sous quelque forme que ce soit sans autorisation écrite du propriétaire. Propriete de c FCI. Droits de reproduction FCI.

All rights strictly reserved. Reproduction or issue to third parties in any form whatever is not permitted without written authority from the proprietor. Property of FCI. Copyright FCI.

PRODUCT NUMBER
51667-XX001--
NOTE: ③

ITEM NO.	QTY	DIM "M" MATING LENGTH ±.010[0.25]	DIM "T" TAIL LENGTH ±.010[0.25]	CONTACT TYPE
PC	11	0.042 [1.07]	0.135 [3.43]	POWER
F	24	N/A [N/A]	0.135 [3.43]	SIGNAL

PRODUCT No.	ROWS	POWER						SIGNAL					POWER							
		E2	P11	P10	P9	P8	P7	P6	6	5	4	3	2	1	P5	P4	P3	P2	P1	E1
51667-XX001--	D C B A		PC	PC	PC	PC	PC	PC	F	F	F	F	F	F	PC	PC	PC	PC	PC	

CONNECTOR NOTES:

- HOUSING MATERIAL: GLASS FILLED HIGH TEMP THERMOPLASTIC, FLAME RETARDANT PER UL94V-0
SIGNAL CONTACT MATERIAL: COPPER ALLOY
POWER CONTACT MATERIAL: COPPER ALLOY
- ② MANUFACTURER NAME, P/N, AND DATE CODE TO APPEAR ON THIS SURFACE.
- ③ PLATING:
SEE PRINT 10064183 FOR PLATING SPEC OF 51667-XX001; 51667-XX001LF.

PCB NOTES:

- ALL DIMENSIONS ARE BASIC UNLESS OTHERWISE SPECIFIED.
- ALL THROUGH HOLES ARE LOCATED WITH A TRUE POSITION OF 0.004".
- ALL DIAMETERS ARE FINISHED HOLE SIZES.
- ∅0.0453+0.0010[1.151±0.025] DRILLED HOLES PLATED WITH 0.0003[0.007]MIN. SnPb OR Sn OVER 0.001[1.03] TO 0.003[0.08]Cu PLATING TO ACHIEVE A 0.040+0.003[1.02±.08] HOLE.

mat'l code				tolerances unless otherwise specified				CUSTOMER COPY		FCJ www.fciconnect.com	
ltr	ecr no.	dr	date	linear	XX ±.01/.X ±.3			projection	title		
G					XXX ±.005/.XX ±.13				5P + 24S + 1M + 6P VERTICAL PRESSFIT RECEPTACLE		
					XXXX ±.0020/.XXX ±.051				product family PwrBlade code 213		
				angles	0° ± 2°			INCH/MM scale 1:1	size		sheet
				dr	S. ROYER 09-21-99				dwg no		4 of 4
				enrg	J. BROWN 09-21-99				51667		
				chr	J. BROWN 09-21-99						
				appd	J. BROWN 09-21-99						
sheet index	revision sheet										

cage code 22526

Pro/E