

NOTES:

1. MATERIAL:

A. CDA 260 BRASS, .008/(0.20) THICK.

B. CDA 510 PHOS. BRONZE .008/(0.20) THICK.

2. PLATING:

.000100/(.00254) MIN. TIN OVER .000050/(.00127) MIN. NICKEL (POST-PLATE).

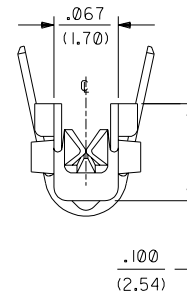
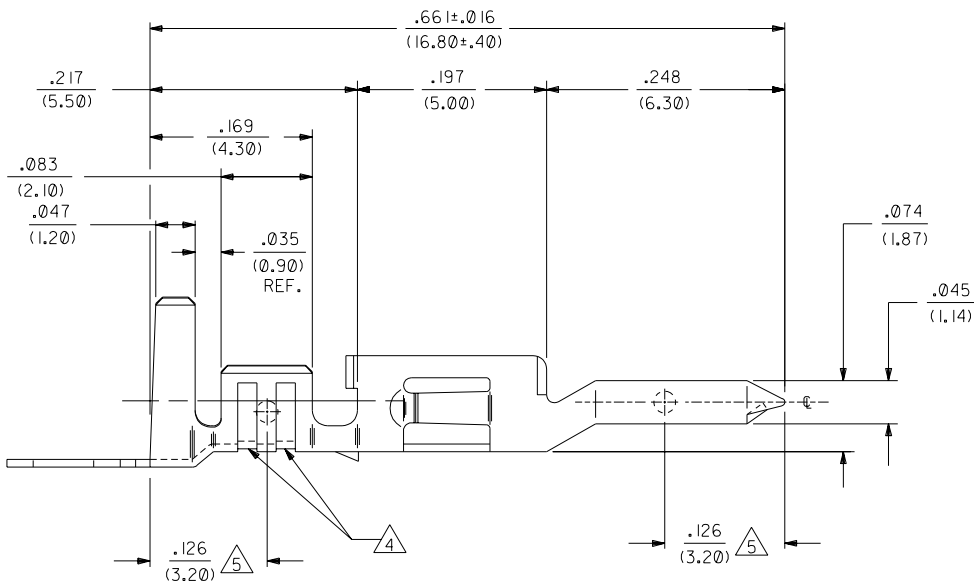
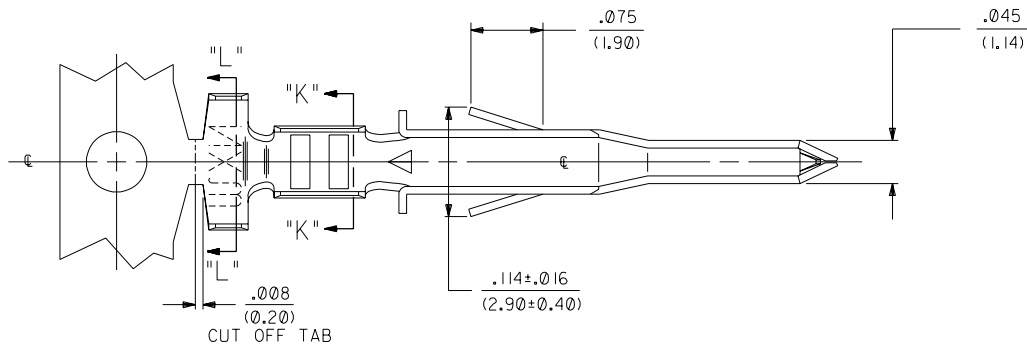
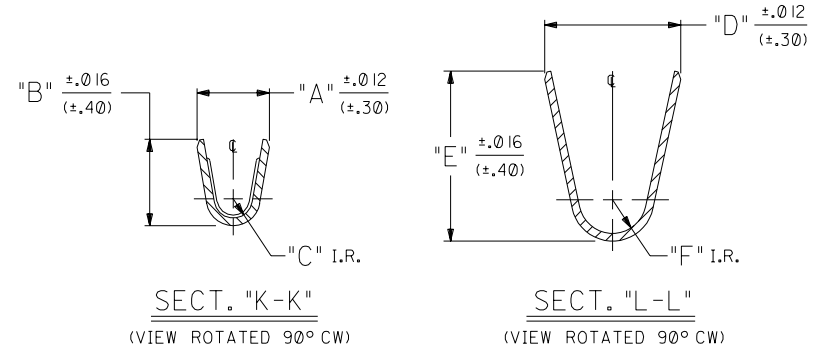
3. PART DESIGNED IN METRIC.

4 THE NUMBER OF SERRATIONS TO BE ONE FOR WIRE RANGE 22-28.

5 MEASURING POINT FOR PLATING THICKNESS.

6. TERMINAL IS FOR USE WITH MOLEX PLUG HOUSINGS 5559, 30068, AND 42475.

7. PRODUCT SPECIFICATION: PS-5556-001, PS-5556-002, PS-5556-003



5558				
C	ADD. PS NOTE UCP2003-0385 8/30/2002 SAMIEC			
B	REV 28-30 GA. DIM ECN #140405 94-04-06 A.GUJZIK			
A2	ADDED EDP'S PER ECN U21527 GEP 10-15-92 RJF			
A1	REVISED 28-30 AWG ECN U21318 9-3-92 RJF			
A	FINAL RELEASE PER ECN U20768 6-12-92 RJF			
MFG.	SH.	REV.	LTR.	REVISIONS
2	B			
1	C			
REVISIONS				
REVISIONS ONLY ON CAD SYSTEM				
TITLE MALE CRIMP TERMINAL WITH TIN OVER NICKEL POSTPLATE (MINI-FIT JR. SERIES)				
PART NO. SEE SHT. 2		DRWG. NO. SD-5558-S*		
DRWG. BY RJF		CHK'D. BY GEP		DATE 5/12/92
APP'D. BY RAS		SCALE 10:1		FILE NAME 5558SX1.DGN
THIS DRAWING CONTAINS INFORMATION THAT IS PROPRIETARY TO MOLEX INC. AND SHOULD NOT BE USED WITHOUT WRITTEN PERMISSION.				

13		12		11		10		9		8		7		6		5558		4		3		2		1	
PART NO.	ENG. NO.	FORM	MAT'L.	WIRE GAGE	RANGE OF INSULATION DIA.	QUANTITY PER REEL (FORMED)	DIM. "A"	DIM. "B"	DIM. "C"	DIM. "D"	DIM. "E"	DIM. "F"													
39-00-0120	5558-S	CHAIN	A	18-24 GA.	.051-.122 (1.30-3.10)	4,000	.075 (1.90)	.091 (2.30)	.020 (.50)	.142 (3.60)	.177 (4.50)	.035 (.90)													
39-00-0121	5558-SL	LOOSE																							
39-00-0122	5558-S2	CHAIN																							
39-00-0123	5558-S2L	LOOSE																							
39-00-0124	5558-S3	CHAIN																							
39-00-0125	5558-S3L	LOOSE		16 GA.	.122 MAX. (3.10)	4,000	.091 (2.30)	.106 (2.70)	.024 (.60)	.142 (3.60)	.177 (4.50)	.035 (.90)													
NOT TOOLED	5558-S4	CHAIN																							
NOT TOOLED	5558-S4L	LOOSE																							
39-00-0259	5558-S5	CHAIN																							
39-00-0260	5558-S5L	LOOSE																							
39-00-0126	5558-PBS	CHAIN	B	18-24 GA.	.051-.122 (1.30-3.10)	4,000	.075 (1.90)	.091 (2.30)	.020 (.50)	.142 (3.60)	.177 (4.50)	.035 (.90)													
39-00-0127	5558-PBSL	LOOSE																							
39-00-0128	5558-PBS2	CHAIN																							
39-00-0129	5558-PBS2L	LOOSE																							
39-00-0130	5558-PBS3	CHAIN																							
39-00-0131	5558-PBS3L	LOOSE		16 GA.	.122 MAX. (3.10)	4,000	.091 (2.30)	.106 (2.70)	.024 (.60)	.142 (3.60)	.177 (4.50)	.035 (.90)													
NOT TOOLED	5558-PBS4	CHAIN																							
NOT TOOLED	5558-PBS4L	LOOSE																							
39-00-0263	5558-PBS5	CHAIN																							
39-00-0264	5558-PBS5L	LOOSE																							
39-00-0263	5558-PBS5	CHAIN	28-30 GA.	.020-.035 (.50-.90)	6,000	.050 (1.27)	.044 (1.12)	.010 (.25)	.091 (2.30)	.091 (2.30)	.024 (.60)														
39-00-0264	5558-PBS5L	LOOSE																							

LEGEND:

5558-***S**

- BASE NO. _____
- MATERIAL _____
- BLANK = BRASS
- PB = PHOS. BRONZE
- S = TIN OVER NICKEL _____
- CRIMP SIZE _____
- BLANK = 18-24 AWG
- 2 = 22-28 AWG
- 3 = 16 AWG
- 4 = 14 AWG
- 5 = 28-30 AWG
- CHAIN OR LOOSE _____
- BLANK = CHAIN
- L = LOOSE

B	SEE SHEET I.
A2	SEE SHEET I.
A1	SEE SHEET I.
A	SEE SHEET I.

DIMENSIONS SHOWN METRIC (INCH)		UNLESS OTHERWISE SPECIFIED TOLERANCES: ANGULAR ± 1/2°		REVISIONS	
INCH		METRIC		MFG. SH. REV. LTR.	
3 PLACE	± ---	± ---	---	REVISE ONLY ON CAD SYSTEM	
2 PLACE	± ---	± ---	---	TITLE	
1 PLACE	---	± ---	---	MALE CRIMP TERMINAL WITH TIN OVER NICKEL POSTPLATE (MINI-FIT JR. SERIES)	
DRAFT WHERE APPLICABLE MUST REMAIN WITHIN DIMENSIONS		MOLEX INCORPORATED		SHEET NO. 2 DATE 5/12/92	
DRWG. BY R.J.F.		CHKD. BY GEP		PART NO. SD-5558-01	
APP'D. BY RAS		SCALE --:--		DIV. CP	
FILE NAME S5558SX2.DWG		THIS DRAWING CONTAINS INFORMATION THAT IS PROPRIETARY TO MOLEX INC. AND SHOULD NOT BE USED WITHOUT WRITTEN PERMISSION.		SIZE C	