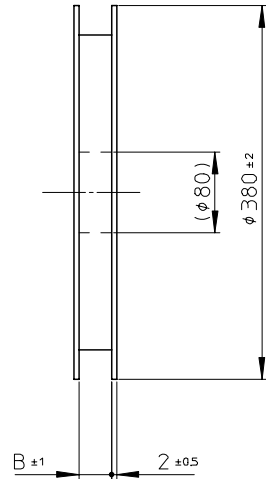
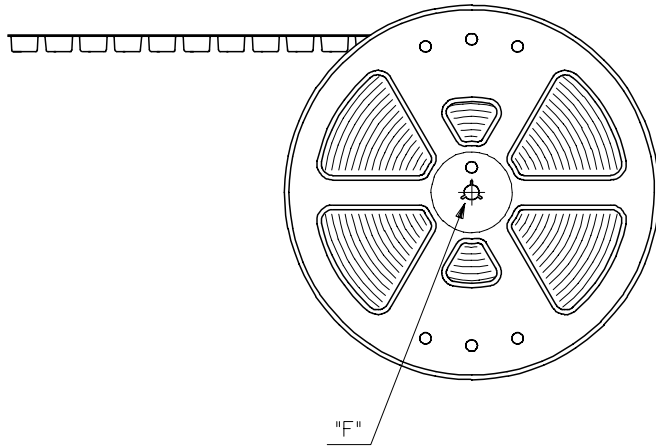
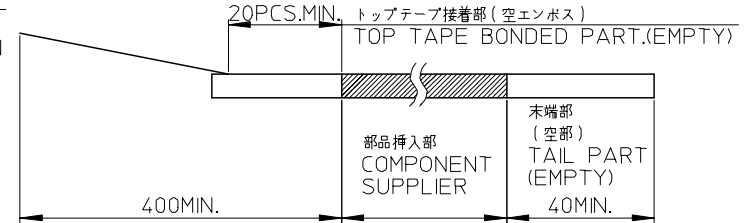


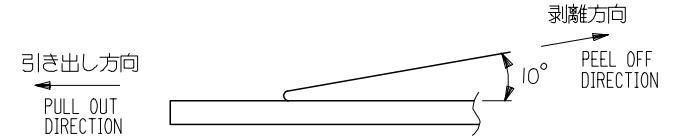
引き出し方向
PULL OUT
DIRECTION



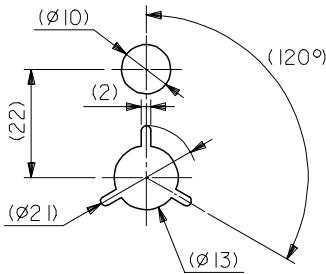
引き出し方向
PULL OUT
DIRECTION



4. トップテープの剥離強度 : 0.1N~1.0N (剥離方向は下図参照)
尚、本規格は出荷時に適用。(ただし、輸送時に剥離が発生しないこと。)
PEELING OFF FORCE OF TOP TAPE : 0.1N~1.0N
(PEELING DIRECTION AS SHOWN IN THE FOLLOWING FIGURE.)
THIS REQUIREMENT SHOULD BE APPLIED AT SHIPMENT.
PEEL OFF SHOULD NOT BE ALLOWED DURING TRANSPORTATION,



5. 材料(MATERIAL)
キャリアテープ : 導電性ポリスチレン(PS)
CARRIER TAPE : CONDUCTIVE POLYSTYRENE(PS)
トップテープ : 帯電防止ポリエチレンテレフタレート(PET)、ポリエチレン(PE)
TOP TAPE : ANTISTATIC POLYETHYLENE TEREPHTHALATE(PET)
POLYETHYLENE(PE)
リール : 帯電防止ポリスチレン (リサイクル材を含む)
REEL : ANTISTATIC POLYSTYRENE(PS)
(RECYCLED MATERIAL CONTAINED)



DETAIL "F"

RELEASED EC NO: J2006-1799 DRWN: YNUKANOBU 2005/11/29 CHKD: YNUKANOBU 2005/11/29 APPR: THIRATA 2005/11/29	GENERAL TOLERANCES (UNLESS SPECIFIED)		DIMENSION STYLE MM ONLY		SCALE ---	DESIGN UNITS METRIC	THIRD ANGLE PROJECTION		
	10 UNDER	± 0.2	DRAWN BY YNUKANOBU	DATE 2005/11/28	TITLE 0.5 B TO B CONN. REC. ANTISTATIC EMBSTP PKG -LEAD FREE-				
	10 OVER 30 UNDER	± 0.25	CHECKED BY THIRATA	DATE 2005/11/28	MOLEX INCORPORATED				
	30 OVER	± 0.3	APPROVED BY MSASAO	DATE 2005/11/28	MATERIAL NO. 547220205		DOCUMENT NO. SD-54722-013	SHEET NO. 1 OF 2	
	ANGULAR	± 1 °	DRAFT WHERE APPLICABLE MUST REMAIN WITHIN DIMENSIONS						

10 9 8 7 6 5 4 3 2 1

F

E

D

C

B

A

F

E

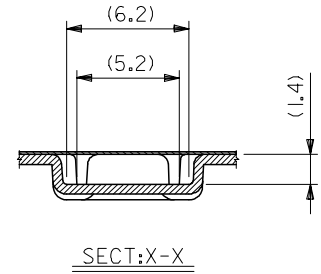
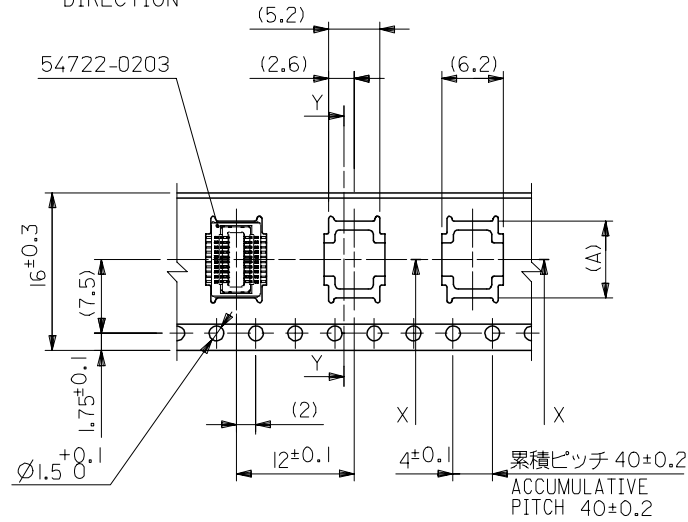
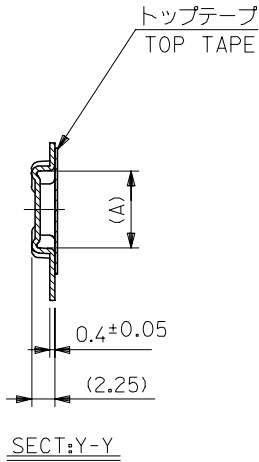
D

C

B

A

引き出し方向
PULL OUT
DIRECTION



16mm幅キャリアテープ
16mm WIDTH CARRIER TAPE

16	17.5	7.8	54722-0205	20
キャリアテープ幅 CARRIER TAPE WIDTH	B	(A)	MATERIAL NO.	種数 CIRCUIT

MODEL No. : 54722-***5

RELEASED EC NO: J2006-1799 DRWN: YNUKANOBU 2005/11/29 CHKD: YNUKANOBU 2005/11/29 APPR: THIRATA 2005/11/29 0	GENERAL TOLERANCES (UNLESS SPECIFIED)		DIMENSION STYLE MM ONLY		SCALE ---		DESIGN UNITS METRIC		THIRD ANGLE PROJECTION	
	10 UNDER	±0.2	DRAWN BY YNUKANOBU	DATE 2005/11/28	TITLE 0.5 B TO B CONN. REC. ANTISTATIC EMBSTP PKG -LEAD FREE- MOLEX INCORPORATED					
	10 OVER 30 UNDER	±0.25	CHECKED BY THIRATA	DATE 2005/11/28						
	30 OVER	±0.3	APPROVED BY MSASAO	DATE 2005/11/28						
	ANGULAR ±1 °		DRAFT WHERE APPLICABLE MUST REMAIN WITHIN DIMENSIONS		MATERIAL NO. 547220205		DOCUMENT NO. SD-54722-013		SHEET NO. 2 OF 2	
SIZE A3 THIS DRAWING CONTAINS INFORMATION THAT IS PROPRIETARY TO MOLEX INCORPORATED AND SHOULD NOT BE USED WITHOUT WRITTEN PERMISSION										

9

8

7

6

5

4

3

2