

SIDE ROTARY

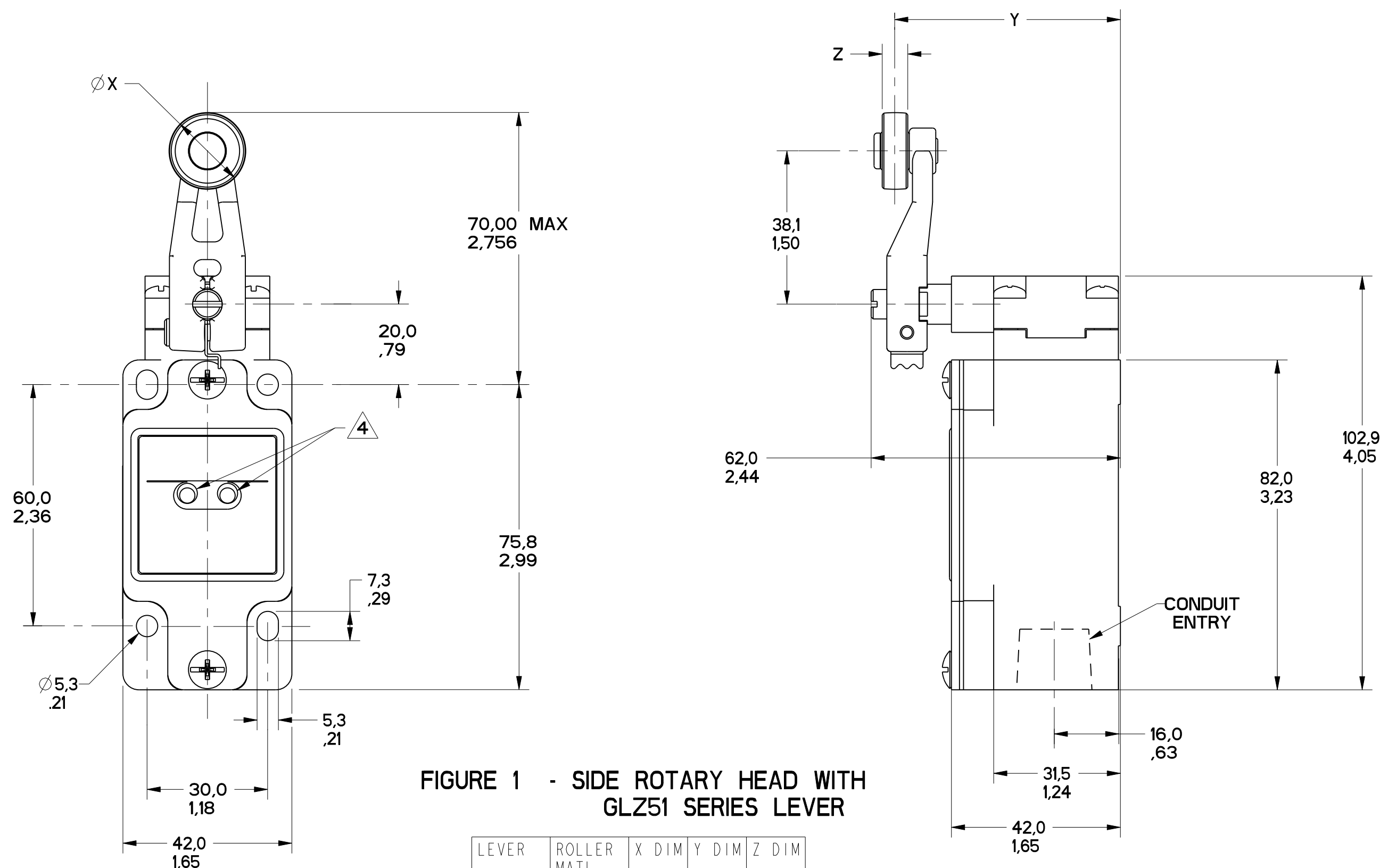


FIGURE 1 - SIDE ROTARY HEAD WITH GLZ51 SERIES LEVER

LEVER	ROLLER MATL	X DIM	Y DIM	Z DIM
GLZ51A	NYLON	19.1 .75	55.9 2.20	6.4 .25
GLZ51B	STEEL	19.1 .75	55.9 2.20	6.4 .25
GLZ51Y	RUBBER	50.0 1.97	66.1 2.60	10.0 .39
GLZ51T	STAINLESS STEEL	19.1 .75	56.8 2.24	8.8 .345

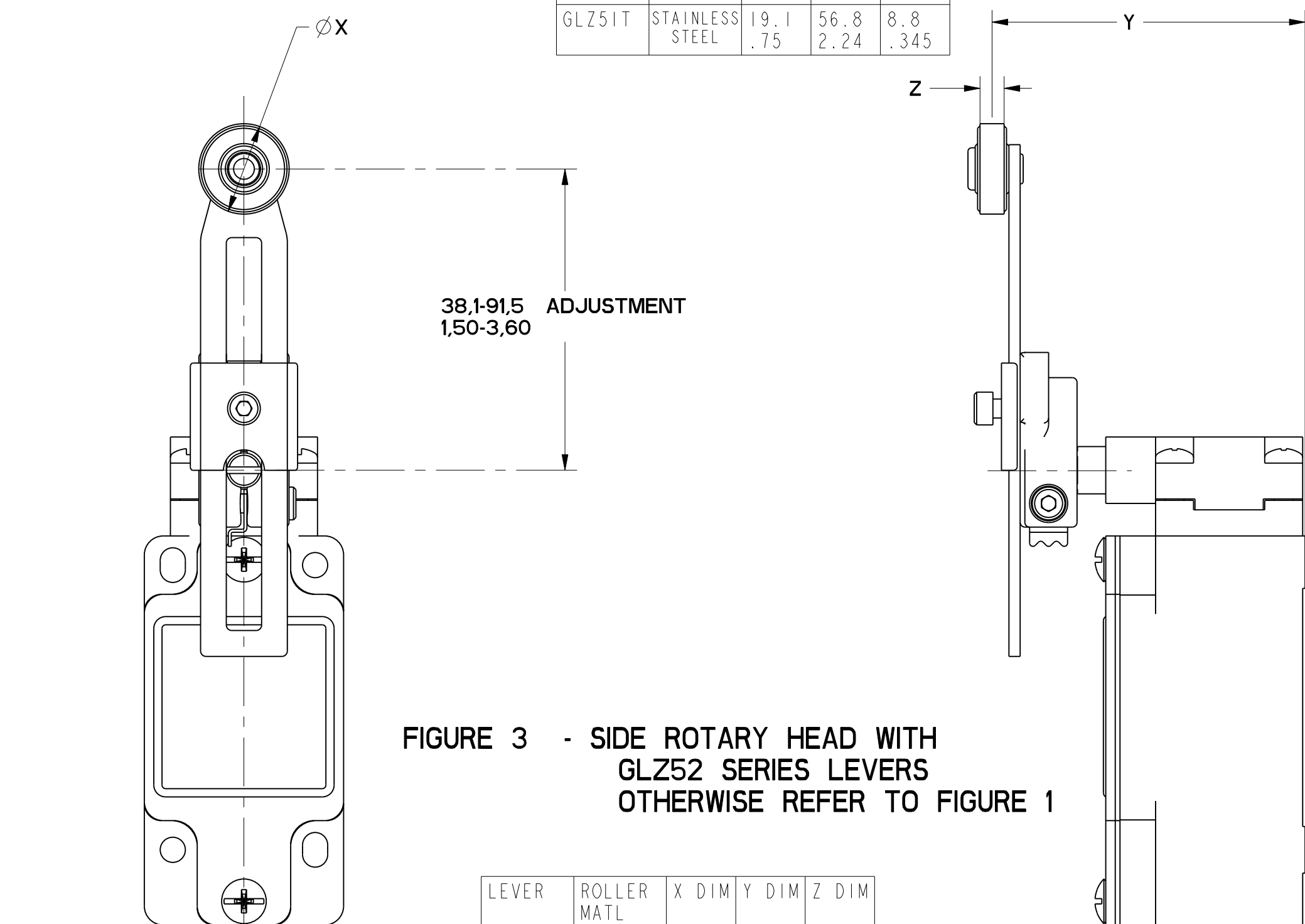


FIGURE 3 - SIDE ROTARY HEAD WITH GLZ52 SERIES LEVERS OTHERWISE REFER TO FIGURE 1

LEVER	ROLLER MATL	X DIM	Y DIM	Z DIM
GLZ52A	NYLON	19.1 .75	65.9 2.59	6.4 .25
GLZ52B	STEEL	19.1 .75	65.9 2.59	6.4 .25
GLZ52D	NYLON	38.1 1.5	65.9 2.59	6.4 .25
GLZ52E	NYLON	19.1 .75	79.37 3.125	33.07 1.300
GLZ52W	RUBBER	40.0 1.6	71.5 2.81	12.7 .5
GLZ52Y	RUBBER	50.0 1.97	68.8 2.71	10.0 .39

GLZ54J: 200.00 / 7.870 MAX
GLZ54K: 140.00 / 5.510 MAX
ALUMINUM ROD

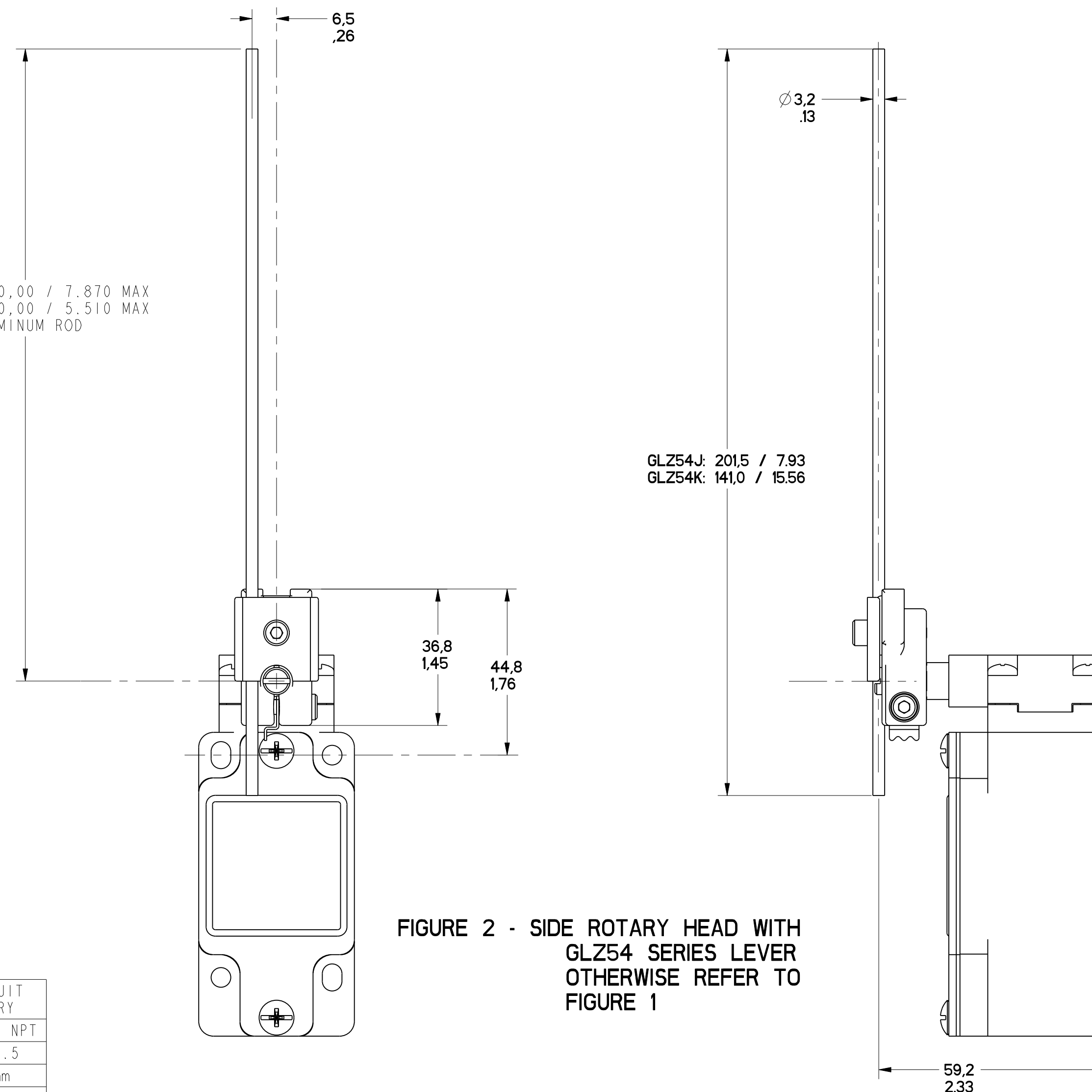


FIGURE 2 - SIDE ROTARY HEAD WITH GLZ54 SERIES LEVER OTHERWISE REFER TO FIGURE 1

FIGURE	CATALOG LISTING	CONDUIT ENTRY
1A	GL*A SERIES	1/2-14 NPT
1B	GL*B SERIES	PG13.5
1C	GL*C SERIES	20mm
1D	GL*D SERIES	PF1/2

ELECTRICAL RATING			
AC		DC	
A600 Ue (VOLTS)	AC15 Ie (AMPS)	O300 Ue (VOLTS)	DC13 Ie (AMPS)
120	6	24	2.8
240	3	125	.55
380	1.9	250	.27
480	1.5		
500	1.4		
600	1.2		

ENVIRONMENTAL RATING	
IP67	
NEMA/UL TYPES 1, 4, 12, 13	

CATALOG LISTING	BODY DIMENSIONS, FIGURE	HEAD DIMENSIONS, FIGURE	HEAD ACTUATION, FIGURE
GLA****	1	N/A	N/A
GLF****	1	N/A	N/A
GLH****	1	N/A	N/A
GLA****	1A	N/A	N/A
GLB****	1B	N/A	N/A
GLC****	1C	N/A	N/A
GLD****	1D	N/A	N/A
GL****A1*	1	1	8
GL****A2*	1	3	9
GL****A4*	1	2	10
GL****A5*	1		8
GL****B	1	4	11
GL****C	1	5	13A, 13B
GL****D	1	6	14A, 14B
GL****E7A	1	7A	12
GL****E7B	1	7	12
GL****E7C	1	7E	15
GL****E7D	1	7B	12
GL****K8A	1	7C	15
GL****K8B	1	7D	15
GL****K8C	1	7	15

NOTES
 1 - HEADS MAY BE INDEXED IN 90° INCREMENTS
 2 - LEVERS MAY BE KEYED TO THE SHAFT AT 90° INCREMENTS. THEY MAY ALSO BE ATTACHED, BUT NOT KEYED ANYWHERE ON THE SHAFT.
 3 - FOR ADDITIONAL LEVERS SEE "M" DRAWING CHART GLZ5
 4 - THE LEFT INDICATOR IS GREEN AND INDICATES "POWER ON" IT IS ON GLH SERIES PRODUCTS ONLY. THE RIGHT INDICATOR IS YELLOW AND INDICATES "OUTPUT STATUS" IT IS ON GLF AND GLH SERIES PRODUCTS ONLY.
 5 - THE MAXIMUM VOLTAGE, V_e OF GLF AND GLH SERIES PRODUCTS IS THE MAXIMUM RATED VOLTAGE OF INDICATION LIGHTS
 6 - FREE POSITION, OPERATE POINT, OVERTRAVEL AND PRETRAVEL ALL TO EN50041
 7 - CAM TRAVEL FOR FIG 9 ONLY APPLIES WHEN LEVER IS ADJUSTED TO 38.1 / 1.50
 8 - THE MAXIMUM VOLTAGE, V_e OF "06" AND "36" BASIC SWITCH CODE IS 500V (A500) TEMPERATURE RANGE
 9 - ALL PRODUCTS EXCEPT W/SIDE ROTARY OPERATING HEAD) OPERATING: -25°C TO +85°C / -13°F TO +185°F STORAGE: -40°C TO +85°C / -40°F TO +185°F (PRODUCTS W/SIDE ROTARY OPERATING HEAD) OPERATING: -40°C TO +85°C / -40°F TO +185°F STORAGE: -40°C TO +85°C / -40°F TO +185°F

THIS DRAWING COVERS A PROPRIETARY ITEM AND IS THE PROPERTY OF MICRO SWITCH, A DIVISION OF HONEYWELL. THIS DRAWING IS NOT TO BE COPIED OR USED WITHOUT THE APPROVAL OF MICRO SWITCH.

FED. MFG. CODE 91929

MICRO SWITCH
a Honeywell Division

SWITCH, ENCLOSED

CATALOG LISTING
GL SERIES CHART 1

DESIGN UNITS: SI METRIC (checked) US CUSTOMARY (unchecked)

WEIGHT

THIRD ANGLE PROJECTION

SCALE: 1:1

DO NOT SCALE PRINT

TOLERANCES

APPLY TO DESIGN UNITS. CONVERSIONS ARE ONLY FOR REFERENCE, UNLESS NOTED. TOLERANCES ARE:

	SI	US
NO PLACES	±0.05	±0.005
ONE PLACE	±0.1	±0.005
TWO PLACES	±0.01	±0.005
THREE PLACES	±0.001	±0.005
ANGLES	±2'	

MGL SERIES CHART 1
 DRAWING NUMBER: 1 OF 13
 RELEASE NO. PR-20782
 CHECK: CMH
 DIM: DTAJG06
 DATE: 02/27/03
 PTC/CAD
 S. A. V. 2/MAR/06
 DVM

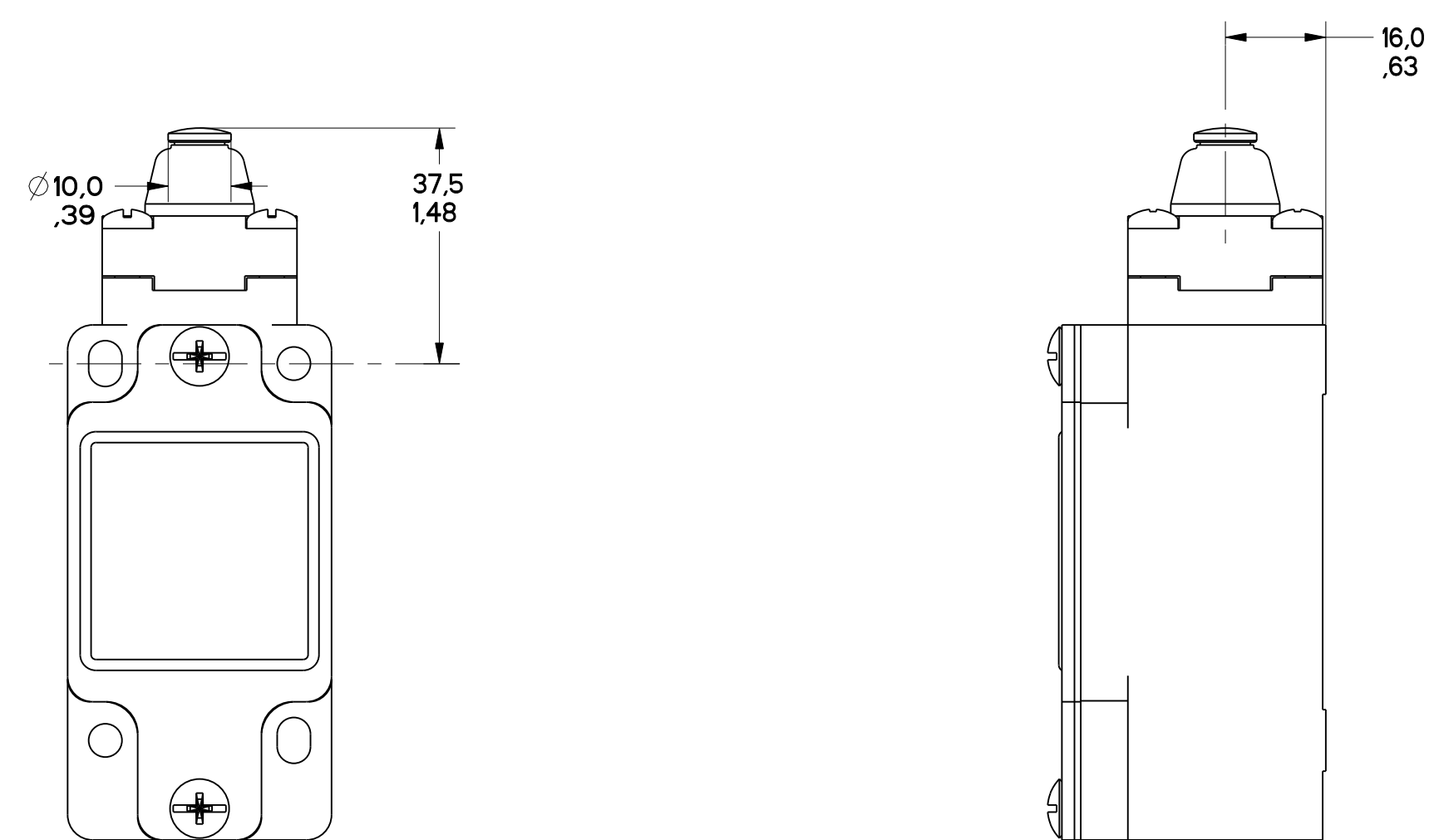


FIGURE 4 - TOP PIN PLUNGER HEAD
OTHERWISE REFER TO
FIGURE 1

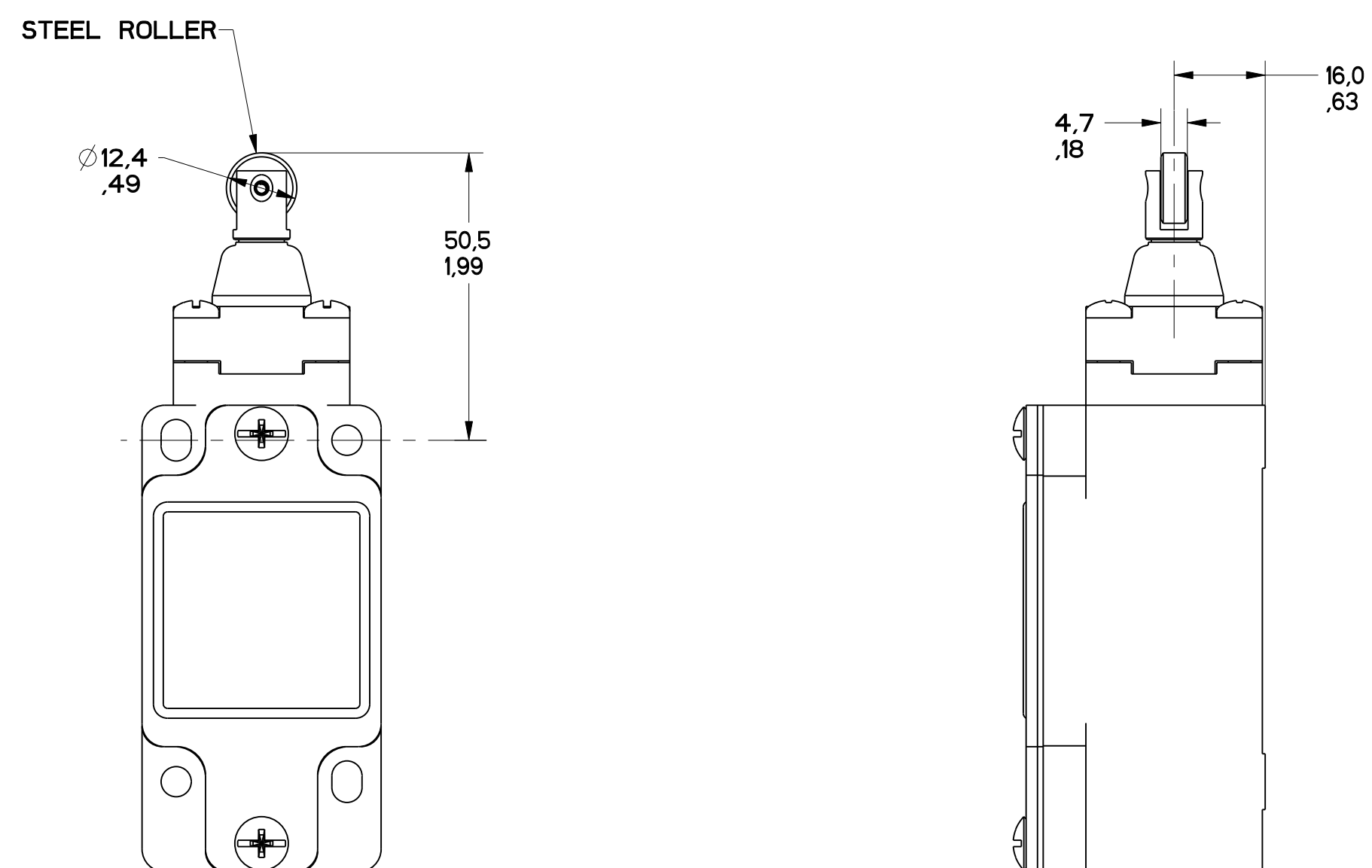


FIGURE 5 - TOP ROLLER PLUNGER HEAD
OTHERWISE REFER TO
FIGURE 1

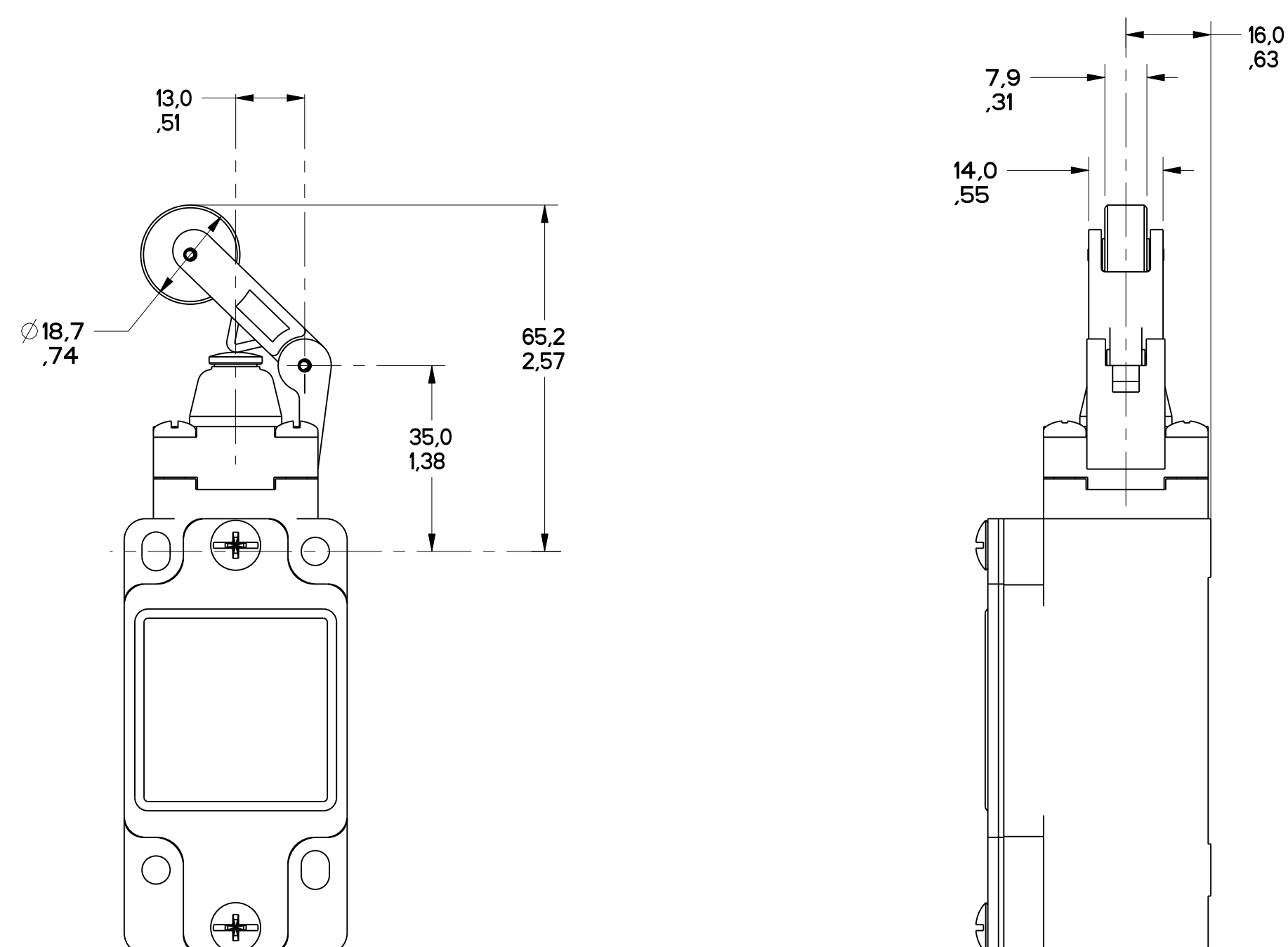


FIGURE 6 - TOP LEVER HEAD,
OTHERWISE REFER TO
FIGURE 1

MGL SERIES CHART 1
 DRAWING NUMBER: 14
 PAGE: 2 OF 13
 RELEASE NO. PR-20782
 P.T.C./CAD
 W.L.S. 26AUG83
 G.L.H. 26AUG83
 CHECK: G.L.H. 26AUG83
 CHECK: CMH 09FEB83
 CHECK: 0023759
 031216
 0443629
 0446053
 007809

THIS DRAWING COVERS A PROPRIETARY ITEM AND IS THE PROPERTY OF MICRO SWITCH, A DIVISION OF HONEYWELL. THIS DRAWING IS NOT TO BE COPIED OR USED WITHOUT THE APPROVAL OF MICRO SWITCH. FED. MFG. CODE 91929		CATALOG LISTING	
MICRO SWITCH a Honeywell Division		SWITCH, ENCLOSED	
DESIGN UNITS: <input checked="" type="checkbox"/> SI METRIC <input type="checkbox"/> US CUSTOMARY		GL SERIES CHART 1	
TOLERANCES APPLY TO DESIGN UNITS. CONCESSIONS ARE ONLY FOR REFERENCE, UNLESS NOTED. TOLERANCES ARE:		THIRD ANGLE PROJECTION SCALE: 1:1 DO NOT SCALE PRINT	
NO PLACES	1X	±.04	±.04
TWO PLACES	1X	0.01/0.16	0.01/0.16
THREE PLACES	1X	0.01/0.08	0.01/0.08
ANGLES		±.2°	
WEIGHT			

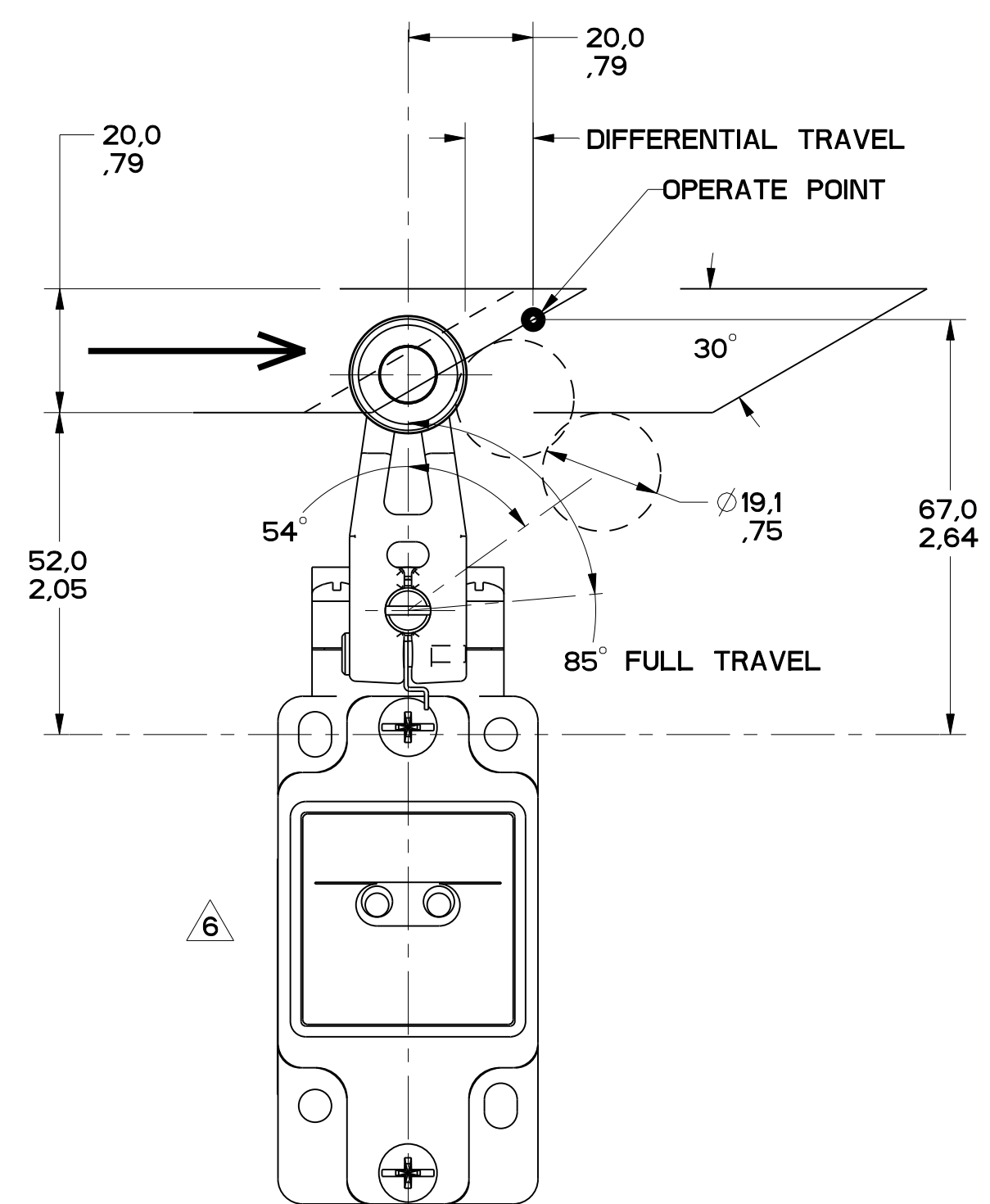


FIGURE 8

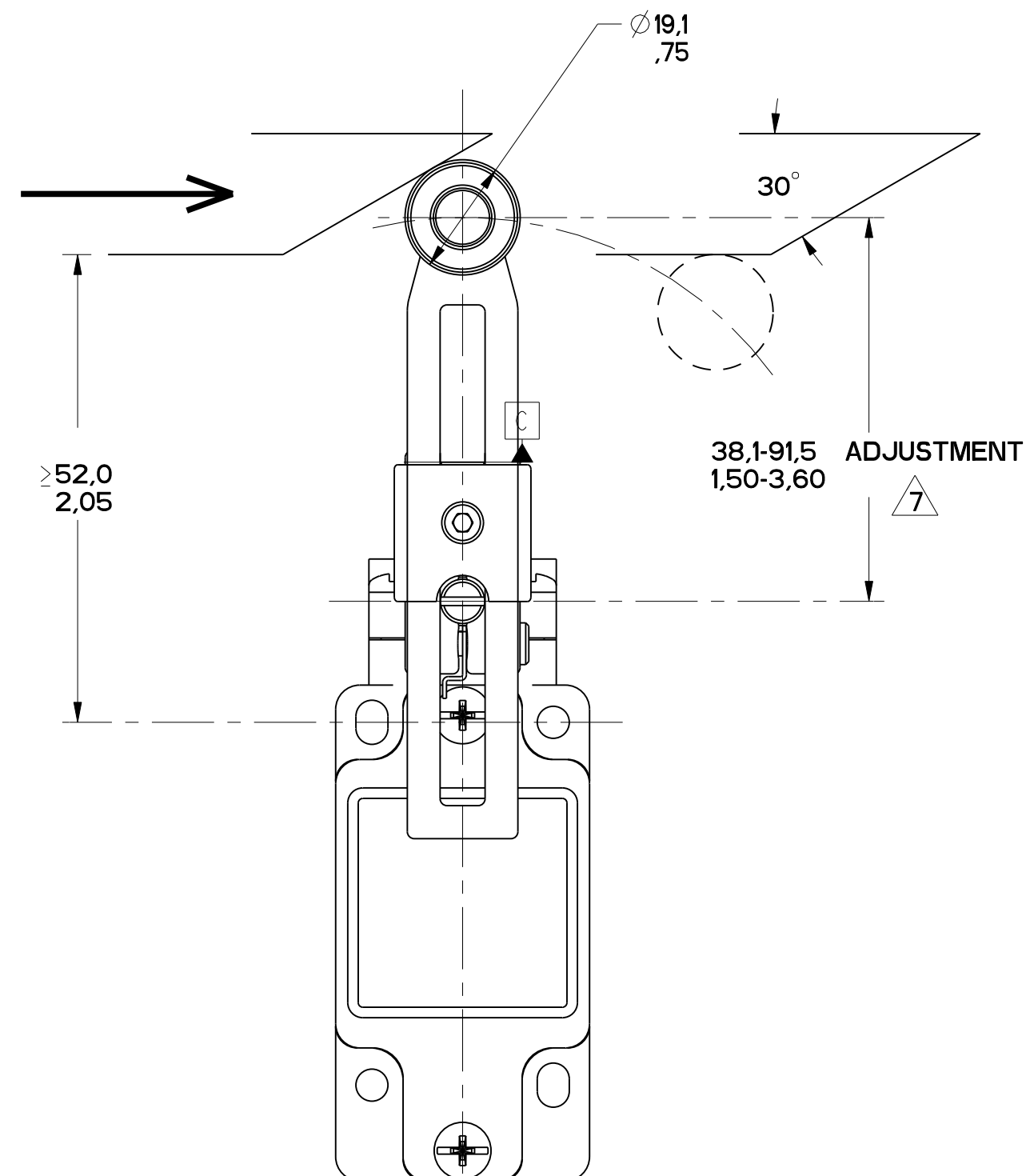


FIGURE 9

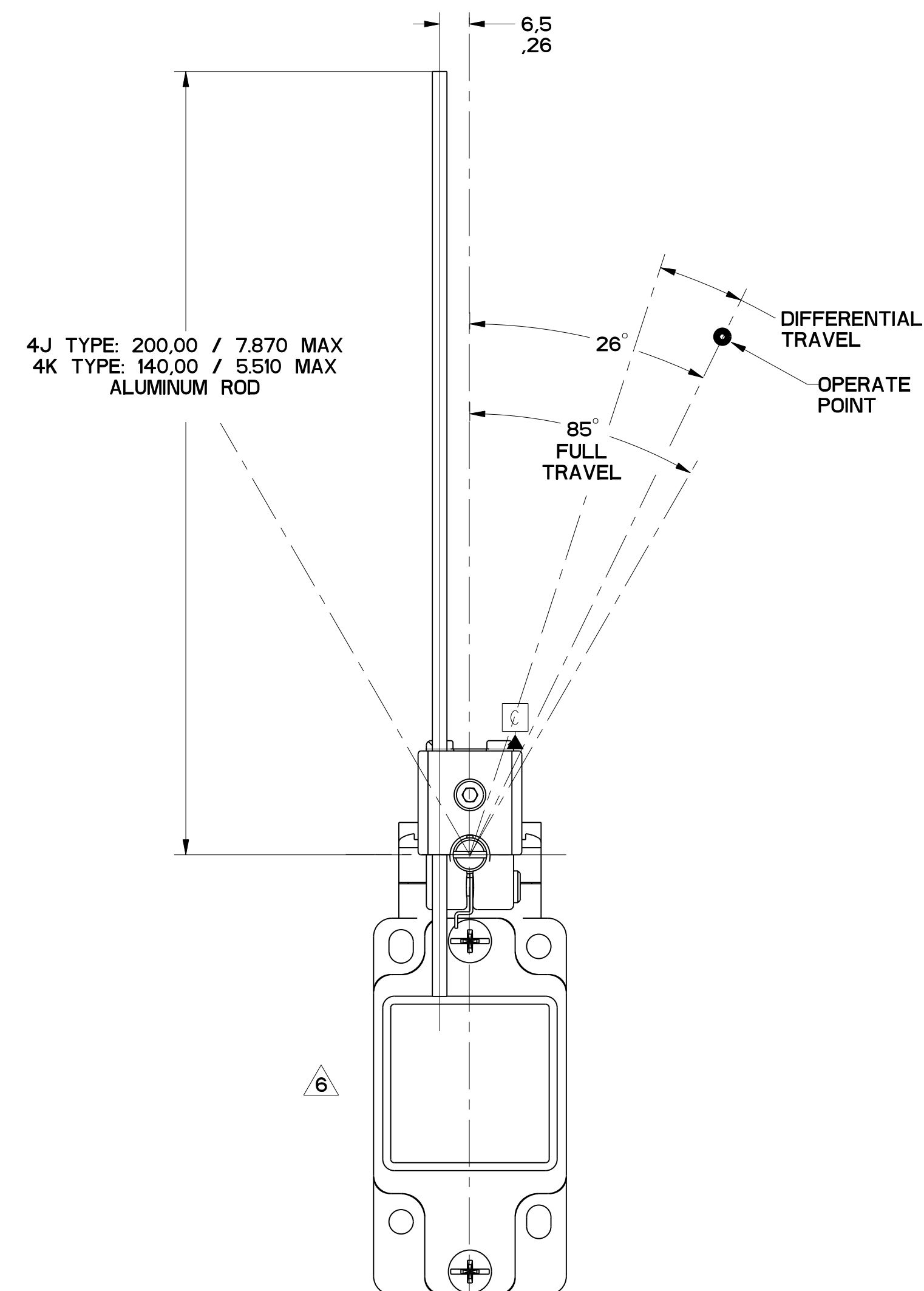


FIGURE 10

MGL SERIES CHART 1
 DRAWING NUMBER: 4 OF 13
 RELEASE NO. PR-20782
 ISSUE: 14
 P.T.C./CAD
 S.A.V. 27 MAR 66
 D.M. 07 AUG 66
 D.M. 07 FEB 69
 P.S. 04 FEB 69
 K 04 FEB 69
 S 05 FEB 69
 L 04 FEB 69
 H 02 FEB 69
 C 00 FEB 69
 J 00 FEB 69
 I 00 FEB 69
 F 00 FEB 69
 G 00 FEB 69
 D 00 FEB 69
 E 00 FEB 69
 B 00 FEB 69
 A 00 FEB 69

THIS DRAWING COVERS A PROPRIETARY ITEM AND IS THE PROPERTY OF MICRO SWITCH, A DIVISION OF HONEYWELL. THIS DRAWING IS NOT TO BE COPIED OR USED WITHOUT THE APPROVAL OF MICRO SWITCH.		FEDERAL MFG. CODE 91929		CATALOG LISTING	
MICRO SWITCH a Honeywell Division		SWITCH, ENCLOSED		GL SERIES CHART 1	
DESIGN UNITS: <input checked="" type="checkbox"/> SI METRIC <input type="checkbox"/> US CUSTOMARY		TOLERANCES: DO NOT SCALE PRINT APPLY TO DESIGN UNITS. CONCESSIONS ARE ONLY FOR REFERENCE, UNLESS NOTED. TOLERANCES ARE:		THIRD ANGLE PROJECTION	
NO PLACES	X	1/100	±.01	NO PLACES	X
TWO PLACES	X, XX	0.01/0.04	±.01	TWO PLACES	X, XX
THREE PLACES	X, XX, XXX	0.01/0.04/0.08	±.01	THREE PLACES	X, XX, XXX
ANGLES		±.2°		ANGLES	
WEIGHT					

FIGURES 8, 9, 10 SIDE ROTARY HEAD, ANGULAR ACTUATION

CATALOG LISTING	CONTACT BLOCK DIAGRAM	NOMINAL TRAVELS AND RELATED TERMINALS ■ - CONTACT CLOSED, □ - CONTACT OPEN, ▨ - CONTACT CLOSED DIFFERENTIAL TRAVEL, ** POSITIVE OPENING TO IEC 947-5-1	MAXIMUM OPERATING TORQUE N-m LB-IN	MAXIMUM DISCONNECT TORQUE N-m LB-IN	MAX OPERATE DEGREE/S	MIN OPERATE DEGREE/S	MAX OPERATE FREQUENCY OPS/MIN
GL**01A GL**07A	SNAP - ACTION CONTACTS SINGLE POLE 	 21-22 26° 55**° 85° 13-14 12° DIFFERENTIAL TRAVEL	.330 2.9	.385 3.4	1290	13	250
GL**03A GL**33A	SLOW ACTING BREAK BEFORE MAKE 	 21-22 26**° 85° 13-14 38°	.330 2.9	.385 3.4	1290	13	250
GL**04A GL**34A	SLOW ACTING MAKE BEFORE BREAK 	 21-22 38**° 85° 13-14 26°	.330 2.9	.400 3.5	1290	13	250
GL**05A GL**35A	SLOW ACTING 	 13-14 38° 85° 23-24	.330 2.9	.385 3.4	1290	13	250
GL**06A GL**36A	SLOW ACTING 	 11-12 26**° 85° 21-22	.330 2.9	.385 3.4	1290	13	250
GL**20A GL**22A GL**24A GL**32A	SNAP ACTION CONTACTS DOUBLE POLE 	 11-12, 21-22 26° 55**° 85° 13-14, 23-24 12° DIFFERENTIAL TRAVEL	.330 2.9	.385 3.4	1290	13	250
GL**21A GL**25A GL**28A GL**31A	SNAP ACTION CONTACTS DOUBLE POLE SEQUENTIAL 	 11-12 27 42 13-14 21-22 23-24 8 DIFFERENTIAL TRAVEL 8 DIFFERENTIAL TRAVEL	.330 2.9	N/A	1290	13	250

SIDE ROTARY HEAD, CAM ACTUATION PER EN50041, FIGURES 8 AND 9

CATALOG LISTING	CONTACT BLOCK DIAGRAM	NOMINAL TRAVELS AND RELATED TERMINALS ■ - CONTACT CLOSED, □ - CONTACT OPEN, ▨ - CONTACT CLOSED DIFFERENTIAL TRAVEL, ** POSITIVE OPENING TO IEC 947-5-1 DIMENSIONS IN mm	MAXIMUM OPERATING FORCE N LB	MAXIMUM DISCONNECT FORCE N LB	MAX OPERATE VEL M/S IN/S	MIN OPERATE VEL mm/S IN/S	MAX OPERATE FREQUENCY OPS/MIN
GL**01A GL**07A	SNAP - ACTION CONTACTS SINGLE POLE 	 21-22 0 20 56** 13-14 12 DIFFERENTIAL TRAVEL	9.7 2.2	11.4 2.6	.85 33.5	8.5 .33	250
GL**03A GL**33A	SLOW ACTING BREAK BEFORE MAKE 	 21-22 0 20** 13-14 32	9.7 2.2	11.4 2.6	.85 33.5	8.5 .33	250
GL**04A GL**34A	SLOW ACTING MAKE BEFORE BREAK 	 21-22 0 32 13-14 20	9.7 2.2	11.4 2.6	.85 33.5	8.5 .33	250
GL**05A GL**35A	SLOW ACTING 	 13-14 0 32° 85° 23-24	9.7 2.2	11.4 2.6	.85 33.5	8.5 .33	250
GL**06A GL**36A	SLOW ACTING 	 11-12 0 20** 21-22	9.7 2.2	11.4 2.6	.85 33.5	8.5 .33	250
GL**20A GL**22A GL**24A GL**32A	SNAP ACTION CONTACTS DOUBLE POLE 	 11-12, 21-22 0 20 56** 13-14, 23-24 12 DIFFERENTIAL TRAVEL	9.7 2.2	11.8 2.7	.85 33.5	8.5 .33	250
GL**21A GL**25A GL**28A GL**31A	SNAP ACTION CONTACTS DOUBLE POLE SEQUENTIAL 	 11-12 0 20 38.5 13-14 21-22 23-24 8.5 DIFFERENTIAL TRAVEL 7 DIFFERENTIAL TRAVEL	9.7 2.2	N/A	.85 33.5	8.5 .33	250
GL**26J GL**27J GL**29J GL**30J	SNAP ACTION CONTACTS DOUBLE POLE CENTER NEUTRAL 	 11-12 0 16 13-14 21-22 23-24 8 DIFFERENTIAL TRAVEL 8 DIFFERENTIAL TRAVEL	9.7 2.2	N/A	.85 33.5	8.5 .33	250

MGL SERIES CHART 1
 DRAWING NUMBER 5 OF 13
 RELEASE NO. PR-20782
 PTC/CAD
 W. L. S. 26AUG93
 G.H.
 CHECK
 14
 ISSUE
 01/15/03
 0007986
 20 24884
 0023759
 07/16/06
 0037216
 08/18/08
 0043629
 05/08
 0048605
 08/18/09

THIS DRAWING COVERS A PROPRIETARY ITEM AND IS THE PROPERTY OF MICRO SWITCH, A DIVISION OF HONEYWELL. THIS DRAWING IS NOT TO BE COPIED OR USED WITHOUT THE APPROVAL OF MICRO SWITCH.
 FED. MFG. CODE 91929
MICRO SWITCH
 a Honeywell Division
SWITCH, ENCLOSED
GL SERIES CHART 1
 SI METRIC
 US CUSTOMARY
 DESIGN UNITS
 WEIGHT

TOLERANCES			
APPLY TO DESIGN UNITS. CONVERSIONS ARE ONLY FOR REFERENCE. UNLESS NOTED, TOLERANCES ARE:			
	mm	in	
NO PLACES	X	17.04	X.1
ONE PLACE	X.1	0.0125	X.125
TWO PLACES	X.12	0.127	X.125
THREE PLACES	X.125	0.127	X.125
ANGLES			

THIRD ANGLE PROJECTION
 DO NOT SCALE PRINT
 SCALE -
 TOLERANCES

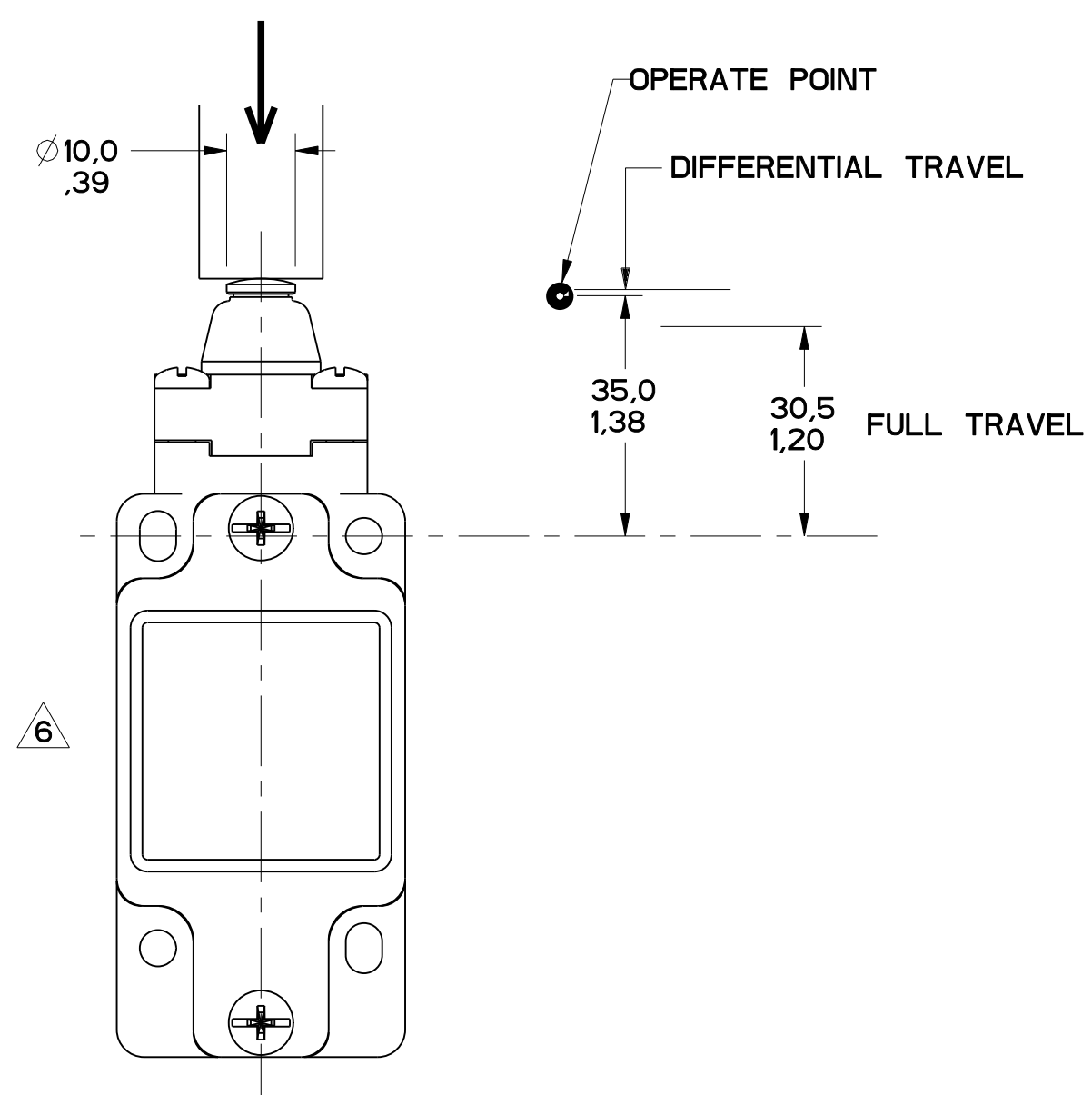


FIGURE 11

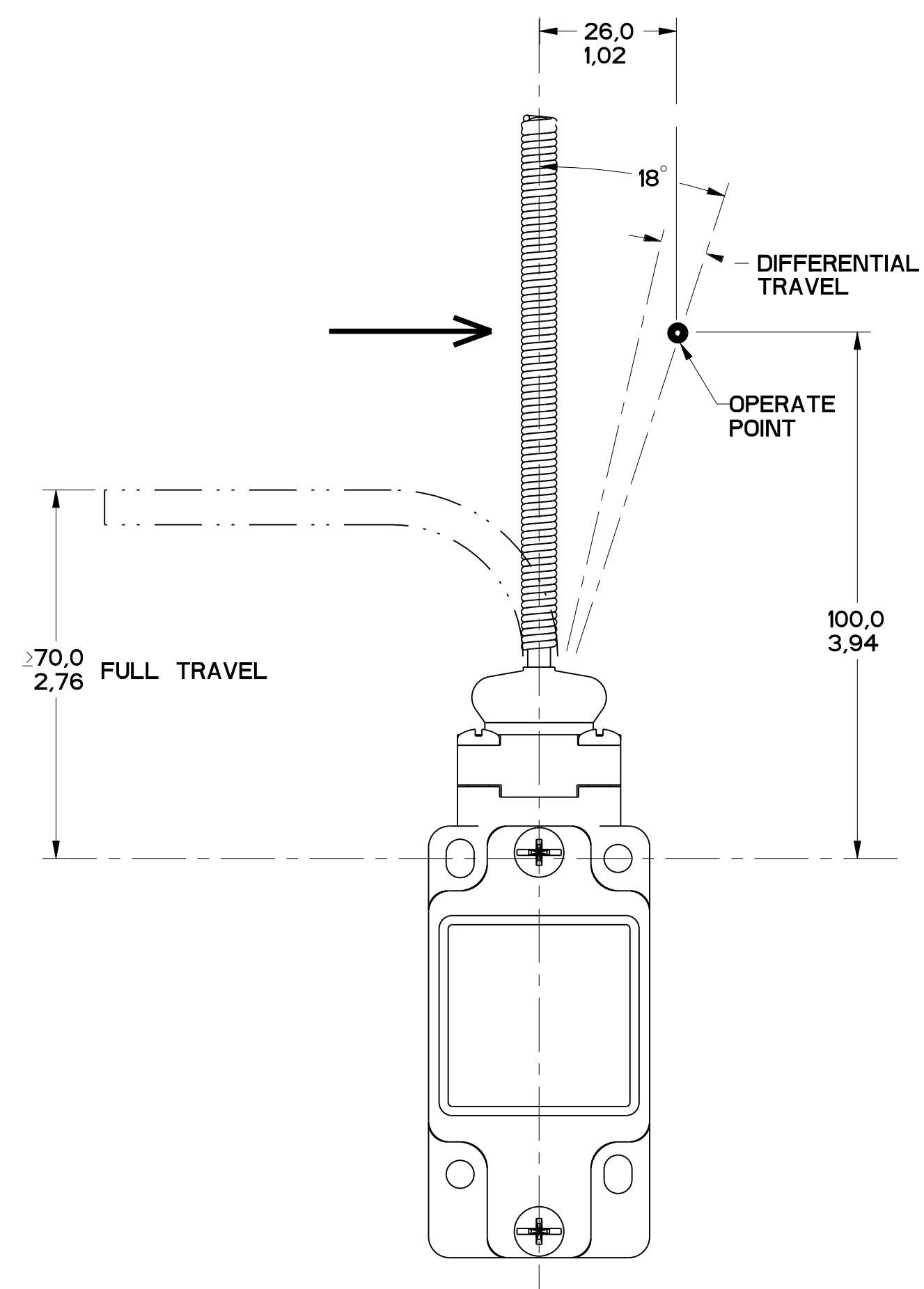


FIGURE 12

MGL SERIES CHART 1
 DRAWING NUMBER: 6 OF 13
 RELEASE NO. PR-20782
 ISSUE: 14
 P.T.C./CAD: 3D
 DRAWN: W.L.S. 26AUG83
 CHECK: G.H.
 APPROVED: G.H.
 DATE: 26AUG83
 CHECK: G.H.
 APPROVED: G.H.
 DATE: 26AUG83

REV	DESCRIPTION	DATE
1	0005041	01 JUN 83
2	0007986	20 JAN 84
3	0023759	07 AUG 86
4	0037216	01 FEB 88
5	0042629	05 FEB 88
6	0048605	09 FEB 89

THIS DRAWING COVERS A PROPRIETARY ITEM AND IS THE PROPERTY OF MICRO SWITCH, A DIVISION OF HONEYWELL. THIS DRAWING IS NOT TO BE COPIED OR USED WITHOUT THE APPROVAL OF MICRO SWITCH.		FEDERAL MFG. CODE 91929	
MICRO SWITCH a Honeywell Division		CATALOG LISTING	
SWITCH, ENCLOSED		GL SERIES CHART 1	
DESIGN UNITS: <input checked="" type="checkbox"/> SI METRIC <input type="checkbox"/> US CUSTOMARY		TOLERANCES: DO NOT SCALE PRINT APPLY TO DESIGN UNITS. CONCESSIONS ARE ONLY FOR REFERENCE, UNLESS NOTED. TOLERANCES ARE:	
NO PLACES	±.04	NO PLACES	±.04
ONE PLACE	±.04	ONE PLACE	±.04
TWO PLACES	±.02	TWO PLACES	±.02
THREE PLACES	±.01	THREE PLACES	±.01
ANGLES: ±2°		WEIGHT:	

FIGURES 11, PIN PLUNGER HEAD, LINEAR ACTUATION

CATALOG LISTING	CONTACT BLOCK DIAGRAM	NOMINAL TRAVELS AND RELATED TERMINALS ■ CONTACT CLOSED, □ CONTACT OPEN, ▨ CONTACT CLOSED DIFFERENTIAL TRAVEL, ** POSITIVE OPENING TO IEC 947-5-1	MAXIMUM OPERATING FORCE $\frac{N}{LB}$	MAXIMUM DISCONNECT FORCE $\frac{N}{LB}$	MAX OPERATE VEL $\frac{M}{S}$ $\frac{IN}{S}$	MIN OPERATE VEL $\frac{MM}{S}$ $\frac{IN}{S}$	MAX OPERATE FREQUENCY OPS/MIN
GL**01B GL**07B	SNAP - ACTION CONTACTS SINGLE POLE 	37.5 35 33** 30.5 21-22 13-14 0.9 DIFFERENTIAL TRAVEL	$\frac{16}{3.6}$	$\frac{27}{6.0}$	$\frac{0.1}{3.9}$	$\frac{1.0}{.04}$	250
GL**03B GL**33B	SLOW ACTING BREAK BEFORE MAKE 	37.5 35** 30.5 21-22 13-14 34	$\frac{16}{3.6}$	$\frac{27}{6.0}$	$\frac{0.1}{3.9}$	$\frac{1.0}{.04}$	250
GL**04B GL**34B	SLOW ACTING MAKE BEFORE BREAK 	37.5 34** 30.5 21-22 13-14 35	$\frac{16}{3.6}$	$\frac{27}{6.0}$	$\frac{0.1}{3.9}$	$\frac{1.0}{.04}$	250
GL**05B GL**35B	SLOW ACTING 	37.5 34 30.5 13-14 23-24	$\frac{16}{3.6}$	$\frac{27}{6.0}$	$\frac{0.1}{3.9}$	$\frac{1.0}{.04}$	250
GL**06B GL**36B	SLOW ACTING 	37.5 35** 30.5 11-12 21-22 34	$\frac{16}{3.6}$	$\frac{27}{6.0}$	$\frac{0.1}{3.9}$	$\frac{1.0}{.04}$	250
GL**20B GL**22B GL**24B GL**32B	SNAP ACTION CONTACTS DOUBLE POLE 	37.5 35 33** 30.5 11-12, 21-22 13-14, 23-24 0.9 DIFFERENTIAL TRAVEL	$\frac{16}{3.6}$	$\frac{37}{8.2}$	$\frac{0.1}{3.9}$	$\frac{1.0}{.04}$	250
GL**21B GL**25B GL**28B GL**31B	SNAP ACTION CONTACTS DOUBLE POLE SEQUENTIAL STEP 1 STEP 2	37.5 35 33.8 30.5 11-12 13-14 21-22 23-24 .8 DIFFERENTIAL TRAVEL	$\frac{16}{3.6}$	N/A	$\frac{0.1}{3.9}$	$\frac{1.0}{.04}$	250

FIGURE 12, WOBBLE HEAD, ANGULAR ACTUATION

CATALOG LISTING	CONTACT BLOCK DIAGRAM	NOMINAL TRAVELS AND RELATED TERMINALS ■ CONTACT CLOSED, □ CONTACT OPEN, ▨ CONTACT CLOSED DIFFERENTIAL TRAVEL, ** POSITIVE OPENING TO IEC 947-5-1	MAXIMUM OPERATING TORQUE $\frac{N-m}{LB/in}$	MAXIMUM DISCONNECT TORQUE $\frac{N-m}{LB/in}$	MAX OPERATE DEGREE/S	MIN OPERATE VELOCITY DEGREE/S	MAX OPERATE RATE CYCLES/MIN
GL**01E GL**07E	SNAP - ACTION CONTACTS SINGLE POLE 	18° 21-22 13-14 8° DIFFERENTIAL TRAVEL	$\frac{0.2}{1.8}$	N/A	360	8	100
GL**03E GL**33E	SLOW ACTING BREAK BEFORE MAKE 	0° 18° 25° 35° 21-22 13-14	$\frac{0.2}{1.8}$	N/A	360	8	100
GL**04E GL**34E	SLOW ACTING MAKE BEFORE BREAK 	0° 18° 25° 35° 21-22 13-14	$\frac{0.2}{1.8}$	N/A	360	8	100
GL**05E GL**35E	SLOW ACTING 	0° 25° 35° 13-14 23-24	$\frac{0.2}{1.8}$	N/A	360	8	100
GL**06E GL**36E	SLOW ACTING 	0° 18° 35° 11-12 21-22	$\frac{0.2}{1.8}$	N/A	360	8	100
GL**20E GL**22E GL**24E GL**32E	SNAP ACTION CONTACTS DOUBLE POLE 	18° 11-12, 21-22 13-14, 23-24 8° DIFFERENTIAL TRAVEL	$\frac{0.2}{1.8}$	N/A	360	8	100

FIGURE 12, WOBBLE HEAD, SIDE ACTUATION AT 100mm

CATALOG LISTING	CONTACT BLOCK DIAGRAM	NOMINAL TRAVELS AND RELATED TERMINALS ■ CONTACT CLOSED, □ CONTACT OPEN, ▨ CONTACT CLOSED DIFFERENTIAL TRAVEL, ** POSITIVE OPENING TO IEC 947-5-1	MAXIMUM OPERATING FORCE $\frac{N}{LB}$	MAXIMUM DISCONNECT FORCE $\frac{N}{LB}$	MAX OPERATE VEL $\frac{M}{S}$ $\frac{IN}{S}$	MIN OPERATE VEL $\frac{MM}{S}$ $\frac{IN}{S}$	MAX OPERATE FREQUENCY OPS/MIN
GL**01E GL**07E	SNAP - ACTION CONTACTS SINGLE POLE 	26 21-22 13-14 12 DIFFERENTIAL TRAVEL	$\frac{2.5}{0.6}$	N/A	$\frac{.5}{19.7}$	$\frac{11}{.43}$	100
GL**03E GL**33E	SLOW ACTING BREAK BEFORE MAKE 	26.5 38.1 21-22 13-14	$\frac{2.5}{0.6}$	N/A	$\frac{.5}{19.7}$	$\frac{11}{.43}$	100
GL**04E GL**34E	SLOW ACTING MAKE BEFORE BREAK 	26.5 38.1 21-22 13-14	$\frac{2.5}{0.6}$	N/A	$\frac{.5}{19.7}$	$\frac{11}{.43}$	100
GL**05E GL**35E	SLOW ACTING 	38.1 13-14 23-24	$\frac{2.5}{0.6}$	N/A	$\frac{.5}{19.7}$	$\frac{11}{.43}$	100
GL**06E GL**36E	SLOW ACTING 	26.5 11-12 21-22	$\frac{2.5}{0.6}$	N/A	$\frac{.5}{19.7}$	$\frac{11}{.43}$	100
GL**20E GL**22E GL**24E GL**32E	SNAP ACTION CONTACTS DOUBLE POLE 	26 11-12, 21-22 13-14, 23-24	$\frac{2.5}{0.6}$	N/A	360	8	100

THIRD ANGLE PROJECTION

SCALE -

DO NOT SCALE PRINT

TOLERANCES
APPLY TO DESIGN UNITS. CONVERSIONS ARE ONLY FOR REFERENCE. UNLESS NOTED, TOLERANCES ARE:

	IN	MILL	IN	MILL
NO PLACES	X	17.04	X	0.01, 0.05
TWO PLACES	X.XX	0.01, 0.05	X.XX	0.001, 0.005
THREE PLACES	X.XXX	0.001, 0.005	X.XXX	0.0001, 0.0005
ANGLES	± 2°			

DESIGN UNITS SI METRIC US CUSTOMARY

WEIGHT

THIS DRAWING COVERS A PROPRIETARY ITEM AND IS THE PROPERTY OF MICRO SWITCH, A DIVISION OF HONEYWELL. THIS DRAWING IS NOT TO BE COPIED OR USED WITHOUT THE APPROVAL OF MICRO SWITCH.

FED. MFG. CODE 91929
MICRO SWITCH
a Honeywell Division

SWITCH, ENCLOSED

CATALOG LISTING
GL SERIES CHART 1

MGL SERIES CHART 1
 DRAWING NUMBER: 7 OF 13
 RELEASE NO. PR-201782
 PTC/CAD
 DRAWN: W.L.S. 20AUG93
 CHECK: G.H.
 APPROVED: G.H.
 DATE: 09/FEB/93
 TITLE: MICRO SWITCH

FIGURE 13A, ROLLER PLUNGER HEAD, PIN ACTUATION

CATALOG LISTING	CONTACT BLOCK DIAGRAM	NOMINAL TRAVELS AND RELATED TERMINALS ■ CONTACT CLOSED, □ CONTACT OPEN, ▨ CONTACT CLOSED DIFFERENTIAL TRAVEL, ** POSITIVE OPENING TO IEC 947-5-1	MAXIMUM OPERATING FORCE $\frac{N}{LB}$	MAXIMUM DISCONNECT FORCE $\frac{N}{LB}$	MAX OPERATE VEL $\frac{M/S}{IN/S}$	MIN OPERATE VEL $\frac{MM/S}{IN/S}$	MAX OPERATE FREQUENCY OPS/MIN
GL**01C GL**07C	SNAP - ACTION CONTACTS SINGLE POLE 	 0.9 DIFFERENTIAL TRAVEL	$\frac{16}{3.6}$	$\frac{27}{6.0}$	$\frac{0.1}{3.9}$	$\frac{1.0}{.04}$	250
GL**03C GL**33C	SLOW ACTING BREAK BEFORE MAKE 	 47	$\frac{16}{3.6}$	$\frac{27}{6.0}$	$\frac{0.1}{3.9}$	$\frac{1.0}{.04}$	250
GL**04C GL**34C	SLOW ACTING MAKE BEFORE BREAK 	 48	$\frac{16}{3.6}$	$\frac{27}{6.0}$	$\frac{0.1}{3.9}$	$\frac{1.0}{.04}$	250
GL**05C GL**35C	SLOW ACTING 		$\frac{16}{3.6}$	$\frac{27}{6.0}$	$\frac{0.1}{3.9}$	$\frac{1.0}{.04}$	250
GL**06C GL**36C	SLOW ACTING 		$\frac{16}{3.6}$	$\frac{27}{6.0}$	$\frac{0.1}{3.9}$	$\frac{1.0}{.04}$	250
GL**20C GL**22C GL**24C GL**32C	SNAP ACTION CONTACTS DOUBLE POLE 	 0.9 DIFFERENTIAL TRAVEL	$\frac{16}{3.6}$	$\frac{37}{8.2}$	$\frac{0.1}{3.9}$	$\frac{1.0}{.04}$	250
GL**21C GL**25C GL**28C GL**31C	STEP 1 STEP 2 SNAP ACTION CONTACTS DOUBLE POLE SEQUENTIAL 	 .8 DIFFERENTIAL TRAVEL .8 DIFFERENTIAL TRAVEL	$\frac{16}{3.6}$	N/A	$\frac{0.1}{3.9}$	$\frac{1.0}{.04}$	250

FIGURE 13B, TOP ROLLER PLUNGER HEAD, CAM ACTUATION PER EN50041

CATALOG LISTING	CONTACT BLOCK DIAGRAM	NOMINAL TRAVELS AND RELATED TERMINALS ■ CONTACT CLOSED, □ CONTACT OPEN, ▨ CONTACT CLOSED DIFFERENTIAL TRAVEL, ** POSITIVE OPENING TO IEC 947-5-1	MAXIMUM OPERATING FORCE $\frac{N}{LB}$	MAXIMUM DISCONNECT FORCE $\frac{N}{LB}$	MAX OPERATE VEL $\frac{M/S}{IN/S}$	MIN OPERATE VEL $\frac{MM/S}{IN/S}$	MAX OPERATE FREQUENCY OPS/MIN
GL**01C GL**07C	SNAP - ACTION CONTACTS SINGLE POLE 	 1.8 DIFFERENTIAL TRAVEL	$\frac{9.3}{2.1}$	$\frac{15.6}{3.5}$	$\frac{0.17}{6.7}$	$\frac{1.7}{.067}$	250
GL**03C GL**33C	SLOW ACTING BREAK BEFORE MAKE 	 16.8	$\frac{9.3}{2.1}$	$\frac{15.6}{3.5}$	$\frac{0.17}{6.7}$	$\frac{1.7}{.067}$	250
GL**04C GL**34C	SLOW ACTING MAKE BEFORE BREAK 	 15	$\frac{9.3}{2.1}$	$\frac{15.6}{3.5}$	$\frac{0.17}{6.7}$	$\frac{1.7}{.067}$	250
GL**05C GL**35C	SLOW ACTING 		$\frac{9.3}{2.1}$	$\frac{15.6}{3.5}$	$\frac{0.17}{6.7}$	$\frac{1.7}{.067}$	250
GL**06C GL**36C	SLOW ACTING 		$\frac{9.3}{2.1}$	$\frac{15.6}{3.5}$	$\frac{0.17}{6.7}$	$\frac{1.7}{.067}$	250
GL**20C GL**22C GL**24C GL**32C	SNAP ACTION CONTACTS DOUBLE POLE 	 1.8 DIFFERENTIAL TRAVEL	$\frac{9.3}{2.1}$	$\frac{21.4}{4.8}$	$\frac{0.17}{6.7}$	$\frac{1.7}{.067}$	250
GL**21C GL**25C GL**28C GL**31C	STEP 1 STEP 2 SNAP ACTION CONTACTS DOUBLE POLE SEQUENTIAL 	 1.4 DIFFERENTIAL TRAVEL 1.4 DIFFERENTIAL TRAVEL	$\frac{9.3}{2.1}$	N/A	$\frac{0.17}{6.7}$	$\frac{1.7}{.067}$	250

MGL SERIES CHART 1
 DRAWING NUMBER: 9 OF 13
 RELEASE NO. PR-20782
 DATE: 09/FEB/99
 CHECK: CMH
 PTC/CAD: W.L.S. 05/MAR/01
 DRAWN: SAV
 CHECK: SAV
 DATE: 09/FEB/99
 ISSUE: 14
 REV: 1
 C: 002786
 H: 002359
 J: 003716
 K: 004369
 L: 004805
 M: 004805
 N: 004805
 O: 004805
 P: 004805
 Q: 004805
 R: 004805
 S: 004805
 T: 004805
 U: 004805
 V: 004805
 W: 004805
 X: 004805
 Y: 004805
 Z: 004805
 AA: 004805
 AB: 004805
 AC: 004805
 AD: 004805
 AE: 004805
 AF: 004805
 AG: 004805
 AH: 004805
 AI: 004805
 AJ: 004805
 AK: 004805
 AL: 004805
 AM: 004805
 AN: 004805
 AO: 004805
 AP: 004805
 AQ: 004805
 AR: 004805
 AS: 004805
 AT: 004805
 AU: 004805
 AV: 004805
 AW: 004805
 AX: 004805
 AY: 004805
 AZ: 004805
 BA: 004805
 BB: 004805
 BC: 004805
 BD: 004805
 BE: 004805
 BF: 004805
 BG: 004805
 BH: 004805
 BI: 004805
 BJ: 004805
 BK: 004805
 BL: 004805
 BM: 004805
 BN: 004805
 BO: 004805
 BP: 004805
 BQ: 004805
 BR: 004805
 BS: 004805
 BT: 004805
 BU: 004805
 BV: 004805
 BV: 004805
 BW: 004805
 BX: 004805
 BY: 004805
 BZ: 004805
 CA: 004805
 CB: 004805
 CC: 004805
 CD: 004805
 CE: 004805
 CF: 004805
 CG: 004805
 CH: 004805
 CI: 004805
 CJ: 004805
 CK: 004805
 CL: 004805
 CM: 004805
 CN: 004805
 CO: 004805
 CP: 004805
 CQ: 004805
 CR: 004805
 CS: 004805
 CT: 004805
 CU: 004805
 CV: 004805
 CW: 004805
 CX: 004805
 CY: 004805
 CZ: 004805
 DA: 004805
 DB: 004805
 DC: 004805
 DD: 004805
 DE: 004805
 DF: 004805
 DG: 004805
 DH: 004805
 DI: 004805
 DJ: 004805
 DK: 004805
 DL: 004805
 DM: 004805
 DN: 004805
 DO: 004805
 DP: 004805
 DQ: 004805
 DR: 004805
 DS: 004805
 DT: 004805
 DU: 004805
 DV: 004805
 DW: 004805
 DX: 004805
 DY: 004805
 DZ: 004805
 EA: 004805
 EB: 004805
 EC: 004805
 ED: 004805
 EE: 004805
 EF: 004805
 EG: 004805
 EH: 004805
 EI: 004805
 EJ: 004805
 EK: 004805
 EL: 004805
 EM: 004805
 EN: 004805
 EO: 004805
 EP: 004805
 EQ: 004805
 ER: 004805
 ES: 004805
 ET: 004805
 EU: 004805
 EV: 004805
 EW: 004805
 EX: 004805
 EY: 004805
 EZ: 004805
 FA: 004805
 FB: 004805
 FC: 004805
 FD: 004805
 FE: 004805
 FF: 004805
 FG: 004805
 FH: 004805
 FI: 004805
 FJ: 004805
 FK: 004805
 FL: 004805
 FM: 004805
 FN: 004805
 FO: 004805
 FP: 004805
 FQ: 004805
 FR: 004805
 FS: 004805
 FT: 004805
 FU: 004805
 FV: 004805
 FW: 004805
 FX: 004805
 FY: 004805
 FZ: 004805
 GA: 004805
 GB: 004805
 GC: 004805
 GD: 004805
 GE: 004805
 GF: 004805
 GG: 004805
 GH: 004805
 GI: 004805
 GJ: 004805
 GK: 004805
 GL: 004805
 GM: 004805
 GN: 004805
 GO: 004805
 GP: 004805
 GQ: 004805
 GR: 004805
 GS: 004805
 GT: 004805
 GU: 004805
 GV: 004805
 GW: 004805
 GX: 004805
 GY: 004805
 GZ: 004805
 HA: 004805
 HB: 004805
 HC: 004805
 HD: 004805
 HE: 004805
 HF: 004805
 HG: 004805
 HH: 004805
 HI: 004805
 HJ: 004805
 HK: 004805
 HL: 004805
 HM: 004805
 HN: 004805
 HO: 004805
 HP: 004805
 HQ: 004805
 HR: 004805
 HS: 004805
 HT: 004805
 HU: 004805
 HV: 004805
 HW: 004805
 HX: 004805
 HY: 004805
 HZ: 004805
 IA: 004805
 IB: 004805
 IC: 004805
 ID: 004805
 IE: 004805
 IF: 004805
 IG: 004805
 IH: 004805
 II: 004805
 IJ: 004805
 IK: 004805
 IL: 004805
 IM: 004805
 IN: 004805
 IO: 004805
 IP: 004805
 IQ: 004805
 IR: 004805
 IS: 004805
 IT: 004805
 IU: 004805
 IV: 004805
 IW: 004805
 IX: 004805
 IY: 004805
 IZ: 004805
 JA: 004805
 JB: 004805
 JC: 004805
 JD: 004805
 JE: 004805
 JF: 004805
 JG: 004805
 JH: 004805
 JI: 004805
 JJ: 004805
 JK: 004805
 JL: 004805
 JM: 004805
 JN: 004805
 JO: 004805
 JP: 004805
 JQ: 004805
 JR: 004805
 JS: 004805
 JT: 004805
 JU: 004805
 JV: 004805
 JW: 004805
 JX: 004805
 JY: 004805
 JZ: 004805
 KA: 004805
 KB: 004805
 KC: 004805
 KD: 004805
 KE: 004805
 KF: 004805
 KG: 004805
 KH: 004805
 KI: 004805
 KJ: 004805
 KK: 004805
 KL: 004805
 KM: 004805
 KN: 004805
 KO: 004805
 KP: 004805
 KQ: 004805
 KR: 004805
 KS: 004805
 KT: 004805
 KU: 004805
 KV: 004805
 KW: 004805
 KX: 004805
 KY: 004805
 KZ: 004805
 LA: 004805
 LB: 004805
 LC: 004805
 LD: 004805
 LE: 004805
 LF: 004805
 LG: 004805
 LH: 004805
 LI: 004805
 LJ: 004805
 LK: 004805
 LL: 004805
 LM: 004805
 LN: 004805
 LO: 004805
 LP: 004805
 LQ: 004805
 LR: 004805
 LS: 004805
 LT: 004805
 LU: 004805
 LV: 004805
 LW: 004805
 LX: 004805
 LY: 004805
 LZ: 004805
 MA: 004805
 MB: 004805
 MC: 004805
 MD: 004805
 ME: 004805
 MF: 004805
 MG: 004805
 MH: 004805
 MI: 004805
 MJ: 004805
 MK: 004805
 ML: 004805
 MM: 004805
 MN: 004805
 MO: 004805
 MP: 004805
 MQ: 004805
 MR: 004805
 MS: 004805
 MT: 004805
 MU: 004805
 MV: 004805
 MW: 004805
 MX: 004805
 MY: 004805
 MZ: 004805
 NA: 004805
 NB: 004805
 NC: 004805
 ND: 004805
 NE: 004805
 NF: 004805
 NG: 004805
 NH: 004805
 NI: 004805
 NJ: 004805
 NK: 004805
 NL: 004805
 NM: 004805
 NO: 004805
 NP: 004805
 NQ: 004805
 NR: 004805
 NS: 004805
 NT: 004805
 NU: 004805
 NV: 004805
 NW: 004805
 NX: 004805
 NY: 004805
 NZ: 004805
 OA: 004805
 OB: 004805
 OC: 004805
 OD: 004805
 OE: 004805
 OF: 004805
 OG: 004805
 OH: 004805
 OI: 004805
 OJ: 004805
 OK: 004805
 OL: 004805
 OM: 004805
 ON: 004805
 OO: 004805
 OP: 004805
 OQ: 004805
 OR: 004805
 OS: 004805
 OT: 004805
 OU: 004805
 OV: 004805
 OW: 004805
 OX: 004805
 OY: 004805
 OZ: 004805
 PA: 004805
 PB: 004805
 PC: 004805
 PD: 004805
 PE: 004805
 PF: 004805
 PG: 004805
 PH: 004805
 PI: 004805
 PJ: 004805
 PK: 004805
 PL: 004805
 PM: 004805
 PN: 004805
 PO: 004805
 PP: 004805
 PQ: 004805
 PR: 004805
 PS: 004805
 PT: 004805
 PU: 004805
 PV: 004805
 PW: 004805
 PX: 004805
 PY: 004805
 PZ: 004805
 QA: 004805
 QB: 004805
 QC: 004805
 QD: 004805
 QE: 004805
 QF: 004805
 QG: 004805
 QH: 004805
 QI: 004805
 QJ: 004805
 QK: 004805
 QL: 004805
 QM: 004805
 QN: 004805
 QO: 004805
 QP: 004805
 QQ: 004805
 QR: 004805
 QS: 004805
 QT: 004805
 QU: 004805
 QV: 004805
 QW: 004805
 QX: 004805
 QY: 004805
 QZ: 004805
 RA: 004805
 RB: 004805
 RC: 004805
 RD: 004805
 RE: 004805
 RF: 004805
 RG: 004805
 RH: 004805
 RI: 004805
 RJ: 004805
 RK: 004805
 RL: 004805
 RM: 004805
 RN: 004805
 RO: 004805
 RP: 004805
 RQ: 004805
 RR: 004805
 RS: 004805
 RT: 004805
 RU: 004805
 RV: 004805
 RW: 004805
 RX: 004805
 RY: 004805
 RZ: 004805
 SA: 004805
 SB: 004805
 SC: 004805
 SD: 004805
 SE: 004805
 SF: 004805
 SG: 004805
 SH: 004805
 SI: 004805
 SJ: 004805
 SK: 004805
 SL: 004805
 SM: 004805
 SN: 004805
 SO: 004805
 SP: 004805
 SQ: 004805
 SR: 004805
 SS: 004805
 ST: 004805
 SU: 004805
 SV: 004805
 SW: 004805
 SX: 004805
 SY: 004805
 SZ: 004805
 TA: 004805
 TB: 004805
 TC: 004805
 TD: 004805
 TE: 004805
 TF: 004805
 TG: 004805
 TH: 004805
 TI: 004805
 TJ: 004805
 TK: 004805
 TL: 004805
 TM: 004805
 TN: 004805
 TO: 004805
 TP: 004805
 TQ: 004805
 TR: 004805
 TS: 004805
 TT: 004805
 TU: 004805
 TV: 004805
 TW: 004805
 TX: 004805
 TY: 004805
 TZ: 004805
 UA: 004805
 UB: 004805
 UC: 004805
 UD: 004805
 UE: 004805
 UF: 004805
 UG: 004805
 UH: 004805
 UI: 004805
 UJ: 004805
 UK: 004805
 UL: 004805
 UM: 004805
 UN: 004805
 UO: 004805
 UP: 004805
 UQ: 004805
 UR: 004805
 US: 004805
 UT: 004805
 UU: 004805
 UV: 004805
 UW: 004805
 UX: 004805
 UY: 004805
 UZ: 004805
 VA: 004805
 VB: 004805
 VC: 004805
 VD: 004805
 VE: 004805
 VF: 004805
 VG: 004805
 VH: 004805
 VI: 004805
 VJ: 004805
 VK: 004805
 VL: 004805
 VM: 004805
 VN: 004805
 VO: 004805
 VP: 004805
 VQ: 004805
 VR: 004805
 VS: 004805
 VT: 004805
 VU: 004805
 VV: 004805
 VW: 004805
 VX: 004805
 VY: 004805
 VZ: 004805
 WA: 004805
 WB: 004805
 WC: 004805
 WD: 004805
 WE: 004805
 WF: 004805
 WG: 004805
 WH: 004805
 WI: 004805
 WJ: 004805
 WK: 004805
 WL: 004805
 WM: 004805
 WN: 004805
 WO: 004805
 WP: 004805
 WQ: 004805
 WR: 004805
 WS: 004805
 WT: 004805
 WU: 004805
 WV: 004805
 WW: 004805
 WX: 004805
 WY: 004805
 WZ: 004805
 XA: 004805
 XB: 004805
 XC: 004805
 XD: 004805
 XE: 004805
 XF: 004805
 XG: 004805
 XH: 004805
 XI: 004805
 XJ: 004805
 XK: 004805
 XL: 004805
 XM: 004805
 XN: 004805
 XO: 004805
 XP: 004805
 XQ: 004805
 XR: 004805
 XS: 004805
 XT: 004805
 XU: 004805
 XV: 004805
 XW: 004805
 XX: 004805
 XY: 004805
 XZ: 004805
 YA: 004805
 YB: 004805
 YC: 004805
 YD: 004805
 YE: 004805
 YF: 004805
 YG: 004805
 YH: 004805
 YI: 004805
 YJ: 004805
 YK: 004805
 YL: 004805
 YM: 004805
 YN: 004805
 YO: 004805
 YP: 004805
 YQ: 004805
 YR: 004805
 YS: 004805
 YT: 004805
 YU: 004805
 YV: 004805
 YW: 004805
 YX: 004805
 YY: 004805
 YZ: 004805
 ZA: 004805
 ZB: 004805
 ZC: 004805
 ZD: 004805
 ZE: 004805
 ZF: 004805
 ZG: 004805
 ZH: 004805
 ZI: 004805
 ZJ: 004805
 ZK: 004805
 ZL: 004805
 ZM: 004805
 ZN: 004805
 ZO: 004805
 ZP: 004805
 ZQ: 004805
 ZR: 004805
 ZS: 004805
 ZT: 004805
 ZU: 004805
 ZV: 004805
 ZW: 004805
 ZX: 004805
 ZY: 004805
 ZZ: 004805

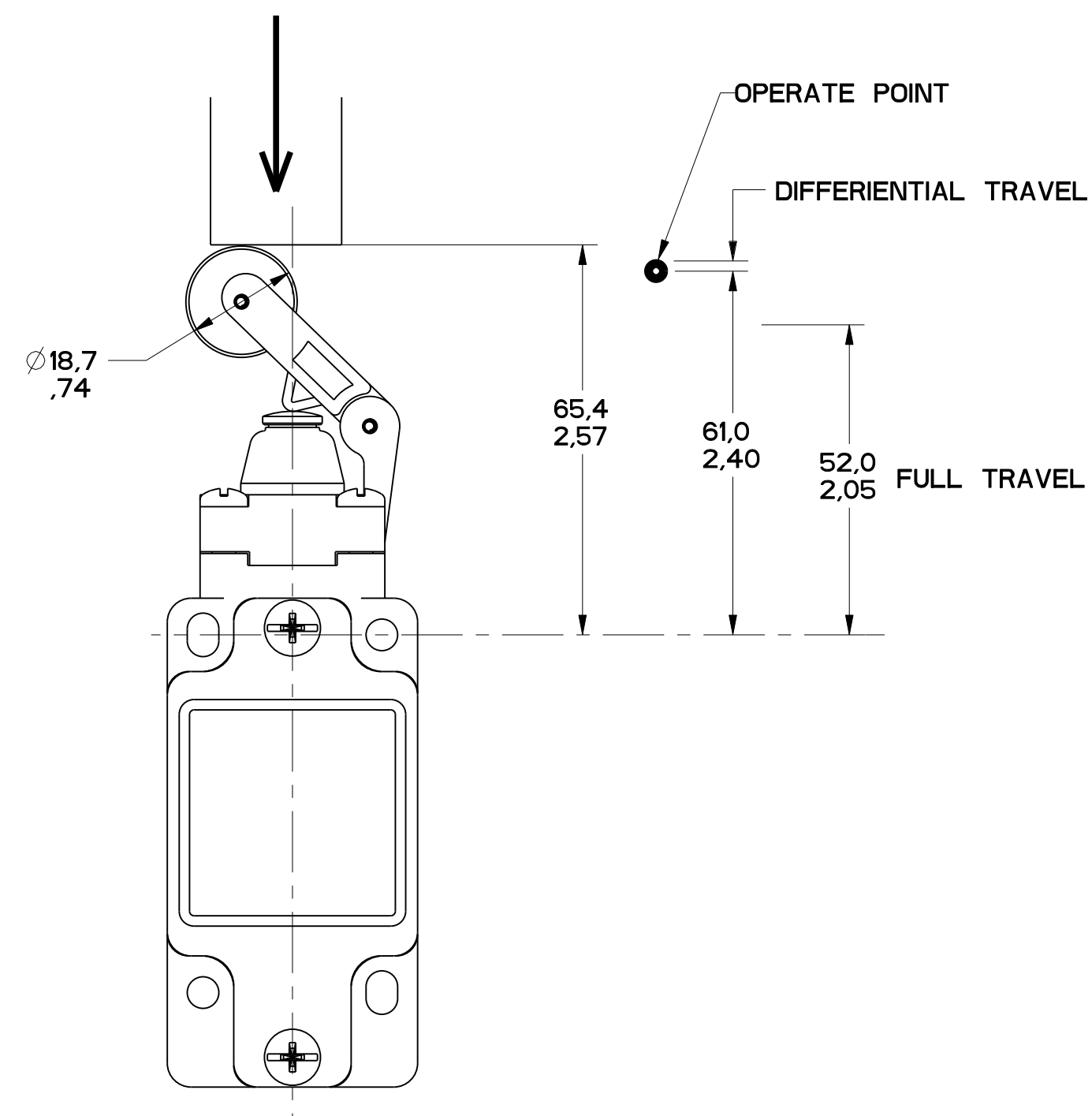


FIGURE 14A

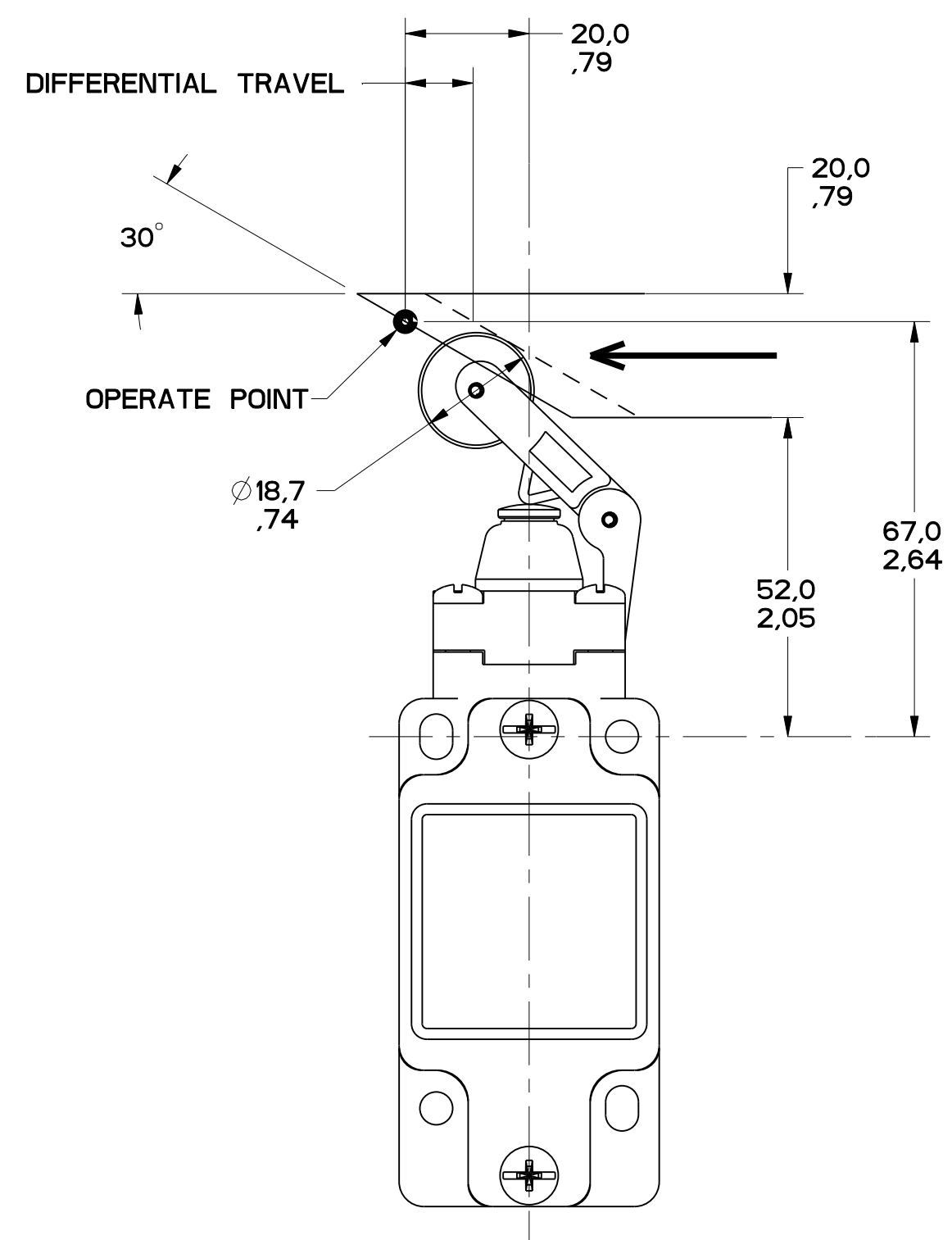


FIGURE 14B

MGL SERIES CHART 1
 DRAWING NUMBER: 14
 PAGE: 10 OF 13
 RELEASE NO.:
 PTC/CAD: 3D
 DRAWN: G.H. 02MARC1
 CHECK: SAV
 DATE: 08/18/83
 APPROVED: CMH
 DATE: 02/23/84

REV	DATE	BY	CHKD	DESCRIPTION
1	08/02/83	SAV	CMH	02MARC1
2	08/02/83	SAV	CMH	02MARC1
3	08/02/83	SAV	CMH	02MARC1
4	08/02/83	SAV	CMH	02MARC1
5	08/02/83	SAV	CMH	02MARC1
6	08/02/83	SAV	CMH	02MARC1
7	08/02/83	SAV	CMH	02MARC1
8	08/02/83	SAV	CMH	02MARC1
9	08/02/83	SAV	CMH	02MARC1
10	08/02/83	SAV	CMH	02MARC1

THIS DRAWING COVERS A PROPRIETARY ITEM AND IS THE PROPERTY OF MICRO SWITCH, A DIVISION OF HONEYWELL. THIS DRAWING IS NOT TO BE COPIED OR USED WITHOUT THE APPROVAL OF MICRO SWITCH.		FEDERAL MFG. CODE 91929	
MICRO SWITCH a Honeywell Division		SWITCH, ENCLOSED	
CATALOG LISTING		GL SERIES CHART 1	
DESIGN UNITS: <input checked="" type="checkbox"/> SI METRIC <input type="checkbox"/> US CUSTOMARY		TOLERANCES: DO NOT SCALE PRINT	
WEIGHT:		THIRD ANGLE PROJECTION	

FIGURE 14A, TOP ROLLER LEVER HEAD WITH PIN ACTUATION

CATALOG LISTING	CONTACT BLOCK DIAGRAM	NOMINAL TRAVELS AND RELATED TERMINALS ■ - CONTACT CLOSED, □ - CONTACT OPEN, ▨ - CONTACT CLOSED DIFFERENTIAL TRAVEL, ** POSITIVE OPENING TO IEC 947-5-1	MAXIMUM OPERATING FORCE $\frac{N}{LB}$	MAXIMUM DISCONNECT FORCE $\frac{N}{LB}$	MAX OPERATE VEL $\frac{M/S}{IN/S}$	MIN OPERATE VEL $\frac{M/S}{IN/S}$	MAX OPERATE FREQUENCY OPS/MIN
GL**01D GL**07D	SNAP - ACTION CONTACTS SINGLE POLE 		$\frac{9.5}{2.1}$	$\frac{12}{2.7}$	$\frac{0.17}{6.7}$	$\frac{1.7}{.067}$	250
GL**03D GL**33D	SLOW ACTING BREAK BEFORE MAKE 		$\frac{9.5}{2.1}$	$\frac{12}{2.7}$	$\frac{0.17}{6.7}$	$\frac{1.7}{.067}$	250
GL**04D GL**34D	SLOW ACTING MAKE BEFORE BREAK 		$\frac{9.5}{2.1}$	$\frac{12}{2.7}$	$\frac{0.17}{6.7}$	$\frac{1.7}{.067}$	250
GL**05D GL**35D	SLOW ACTING 		$\frac{9.5}{2.1}$	$\frac{12}{2.7}$	$\frac{0.17}{6.7}$	$\frac{1.7}{.067}$	250
GL**06D GL**36D	SLOW ACTING 		$\frac{9.5}{2.1}$	$\frac{12}{2.7}$	$\frac{0.17}{6.7}$	$\frac{1.7}{.067}$	250
GL**20D GL**22D GL**24D GL**32D	SNAP ACTION CONTACTS DOUBLE POLE 		$\frac{9.5}{2.1}$	$\frac{16.4}{3.7}$	$\frac{0.17}{6.7}$	$\frac{1.7}{.067}$	250
GL**21D GL**25D GL**28D GL**31D	STEP 1 STEP 2 SNAP ACTION CONTACTS DOUBLE POLE SEQUENTIAL 		$\frac{9.5}{2.1}$	N/A	$\frac{0.17}{6.7}$	$\frac{1.7}{.067}$	250

FIGURE 14B, TOP ROLLER LEVER HEAD WITH CAM ACTUATION

CATALOG LISTING	CONTACT BLOCK DIAGRAM	NOMINAL TRAVELS AND RELATED TERMINALS ■ - CONTACT CLOSED, □ - CONTACT OPEN, ▨ - CONTACT CLOSED DIFFERENTIAL TRAVEL, ** POSITIVE OPENING TO IEC 947-5-1	MAXIMUM OPERATING FORCE $\frac{N}{LB}$	MAXIMUM DISCONNECT FORCE $\frac{N}{LB}$	MAX OPERATE VEL $\frac{M/S}{IN/S}$	MIN OPERATE VEL $\frac{M/S}{IN/S}$	MAX OPERATE FREQUENCY OPS/MIN
GL**01D GL**07D	SNAP - ACTION CONTACTS SINGLE POLE 		$\frac{5.5}{1.2}$	$\frac{7.0}{1.6}$	$\frac{0.29}{11.4}$	$\frac{2.9}{.11}$	250
GL**03D GL**33D	SLOW ACTING BREAK BEFORE MAKE 		$\frac{5.5}{1.2}$	$\frac{7.0}{1.6}$	$\frac{0.29}{11.4}$	$\frac{2.9}{.11}$	250
GL**04D GL**34D	SLOW ACTING MAKE BEFORE BREAK 		$\frac{5.5}{1.2}$	$\frac{9.6}{2.2}$	$\frac{0.29}{11.4}$	$\frac{2.9}{.11}$	250
GL**05D GL**35D	SLOW ACTING 		$\frac{5.5}{1.2}$	$\frac{7.0}{1.6}$	$\frac{0.29}{11.4}$	$\frac{2.9}{.11}$	250
GL**06D GL**36D	SLOW ACTING 		$\frac{5.5}{1.2}$	$\frac{7.0}{1.6}$	$\frac{0.29}{11.4}$	$\frac{2.9}{.11}$	250
GL**20D GL**22D GL**24D GL**32D	SNAP ACTION CONTACTS DOUBLE POLE 		$\frac{5.5}{1.2}$	$\frac{7.0}{1.6}$	$\frac{0.29}{11.4}$	$\frac{2.9}{.11}$	250
GL**21D GL**25D GL**28D GL**31D	STEP 1 STEP 2 SNAP ACTION CONTACTS DOUBLE POLE SEQUENTIAL 		$\frac{5.5}{1.2}$	N/A	$\frac{0.29}{11.4}$	$\frac{2.9}{.11}$	250

MGL SERIES CHART 1
 DRAWING NUMBER: 14
 PAGE 11 OF 13
 RELEASE NO. -
 PTC/CAD 3D
 DRAWN: G.H. OSWALD
 CHECK: S.A.V.
 DATE: 03/18/03
 APPROVED: G.H. OSWALD
 DATE: 03/18/03

REV	DATE	BY	CHKD
1	03/18/03	G.H. OSWALD	G.H. OSWALD
2	03/18/03	G.H. OSWALD	G.H. OSWALD
3	03/18/03	G.H. OSWALD	G.H. OSWALD
4	03/18/03	G.H. OSWALD	G.H. OSWALD
5	03/18/03	G.H. OSWALD	G.H. OSWALD
6	03/18/03	G.H. OSWALD	G.H. OSWALD
7	03/18/03	G.H. OSWALD	G.H. OSWALD
8	03/18/03	G.H. OSWALD	G.H. OSWALD
9	03/18/03	G.H. OSWALD	G.H. OSWALD
10	03/18/03	G.H. OSWALD	G.H. OSWALD

THIS DRAWING COVERS A PROPRIETARY ITEM AND IS THE PROPERTY OF MICRO SWITCH, A DIVISION OF HONEYWELL. THIS DRAWING IS NOT TO BE COPIED OR USED WITHOUT THE APPROVAL OF MICRO SWITCH.

FED. MFG. CODE 91929

MICRO SWITCH
a Honeywell Division

SWITCH, ENCLOSED

CATALOG LISTING
GL SERIES CHART 1

THIRD ANGLE PROJECTION

SCALE: -

DO NOT SCALE PRINT

TOLERANCES
APPLY TO DESIGN UNITS. CONVERSIONS ARE ONLY FOR REFERENCE. UNLESS NOTED, TOLERANCES ARE:

NO. PLACES	TOL.	NO. PLACES	TOL.	NO. PLACES	TOL.	NO. PLACES	TOL.
1	±.04	2	±.01	3	±.005	4	±.0025
2	±.01	3	±.005	4	±.0025	5	±.0015
3	±.005	4	±.0025	5	±.0015	6	±.001
4	±.0025	5	±.0015	6	±.001	7	±.0005

DESIGN UNITS: SI METRIC US CUSTOMARY

WEIGHT

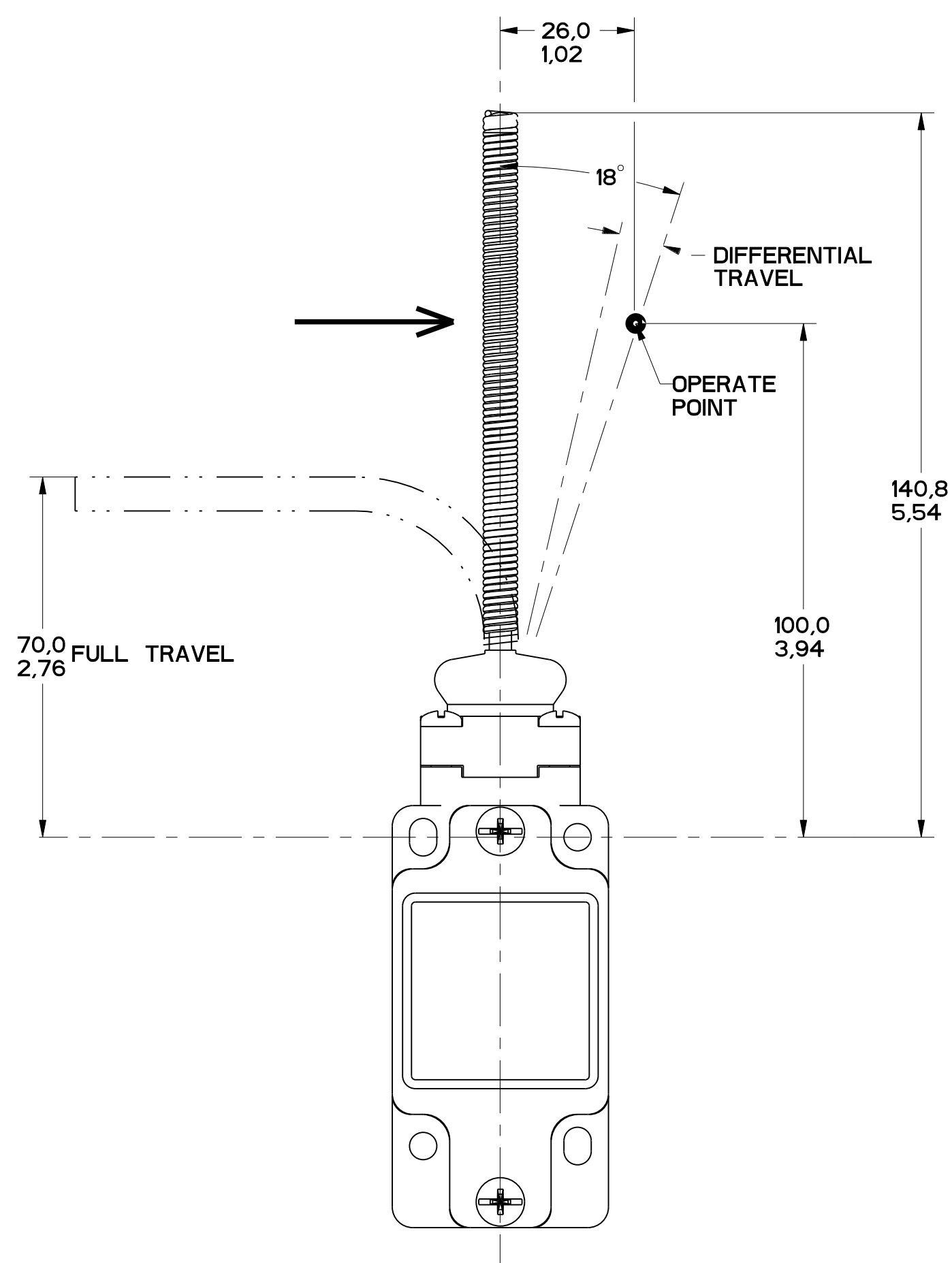


FIGURE 15

DRAWING NUMBER		PAGE		OF		ISSUE	
14		12		OF		13	
DRAWING NUMBER		PAGE		OF		ISSUE	
14		12		OF		13	
DRAWING NUMBER		PAGE		OF		ISSUE	
14		12		OF		13	

DESIGNER	CHECKER	DATE
PTC/CAD 3D	SAV	05MARC01
DESIGNER	CHECKER	DATE
GH	OSMARC01	05MARC01
DESIGNER	CHECKER	DATE
GH	OSMARC01	05MARC01

REVISIONS	DATE	BY	DESCRIPTION
1	0005041	W	REV
2	0005041	W	REV
3	0007986	W	REV
4	0023759	W	REV
5	0317216	W	REV
6	0443629	W	REV
7	0446605	W	REV
8	0446605	W	REV

THIS DRAWING COVERS A PROPRIETARY ITEM AND IS THE PROPERTY OF MICRO SWITCH, A DIVISION OF HONEYWELL. THIS DRAWING IS NOT TO BE COPIED OR USED WITHOUT THE APPROVAL OF MICRO SWITCH.		CATALOG LISTING	
FED. MFG. CODE 91929		SI METRIC <input checked="" type="checkbox"/>	
MICRO SWITCH a Honeywell Division		US CUSTOMARY <input type="checkbox"/>	
SWITCH, ENCLOSED		GL SERIES CHART 1	
WEIGHT		TOLERANCES	
		DO NOT SCALE PRINT	
		APPLY TO DESIGN UNITS. CONCESSIONS ARE ONLY FOR REFERENCE, UNLESS NOTED. TOLERANCES ARE:	
NO PLACES	X	1/16	0.015
ONE PLACE	X,1	0.0015	0.0015
TWO PLACES	X,1X	0.00015	0.00015
THREE PLACES	X,1XX	0.000015	0.000015
ANGLES		±2'	

FIGURE 15, CAT WISKER HEAD, ANGULAR ACTUATION

CATALOG LISTING	CONTACT BLOCK DIAGRAM	NOMINAL TRAVELS AND RELATED TERMINALS ■ - CONTACT CLOSED, □ - CONTACT OPEN, ▨ - CONTACT CLOSED DIFFERENTIAL TRAVEL	MAXIMUM OPERATING TORQUE $\frac{N \cdot m}{LB \cdot IN}$	MAXIMUM DISCONNECT TORQUE $\frac{N \cdot m}{LB \cdot IN}$	MAX OPERATE DEGREE/S	MIN OPERATE VELOCITY DEGREE/S	MAX OPERATE RATE CYCLES/MIN
GL**01K GL**07K	SNAP - ACTION CONTACTS SINGLE POLE 	21-22 18° 13-14 8° DIFFERENTIAL TRAVEL	$\frac{0.1}{.9}$	N/A	360	8	100
GL**03K GL**33K	SLOW ACTING BREAK BEFORE MAKE 	21-22 18° 13-14 25	$\frac{0.1}{.9}$	N/A	360	8	100
GL**04K GL**34K	SLOW ACTING MAKE BEFORE BREAK 	21-22 25° 13-14 18°	$\frac{0.1}{.9}$	N/A	360	8	100
GL**05K GL**35K	SLOW ACTING 	13-14 25° 23-24	$\frac{0.1}{.9}$	N/A	360	8	100
GL**06K GL**36K	SLOW ACTING 	11-12 18° 21-22	$\frac{0.1}{.9}$	N/A	360	8	100
GL**20K GL**22K GL**24K GL**32K	SNAP ACTION CONTACTS DOUBLE POLE 	11-12, 21-22 18° 13-14, 23-24 8° DIFFERENTIAL TRAVEL	$\frac{0.1}{.9}$	N/A	360	8	100

FIGURE 15, CAT WISKER HEAD, SIDE ACTUATION AT 100mm

CATALOG LISTING	CONTACT BLOCK DIAGRAM	NOMINAL TRAVELS AND RELATED TERMINALS ■ - CONTACT CLOSED, □ - CONTACT OPEN, ▨ - CONTACT CLOSED DIFFERENTIAL TRAVEL	MAXIMUM OPERATING FORCE $\frac{N}{LB}$	MAXIMUM DISCONNECT FORCE $\frac{N}{LB}$	MAX OPERATE VEL $\frac{M/S}{IN/S}$	MIN OPERATE VEL $\frac{mm/S}{IN/S}$	MAX OPERATE FREQUENCY OPS/MIN
GL**01K GL**07K	SNAP - ACTION CONTACTS SINGLE POLE 	21-22 26 13-14 12 DIFFERENTIAL TRAVEL	$\frac{1.3}{.3}$	N/A	$\frac{.5}{19.7}$	$\frac{11}{.43}$	100
GL**03K GL**33K	SLOW ACTING BREAK BEFORE MAKE 	21-22 26.5 38.1 13-14	$\frac{1.3}{0.3}$	N/A	$\frac{.5}{19.7}$	$\frac{11}{.43}$	100
GL**04K GL**34K	SLOW ACTING MAKE BEFORE BREAK 	21-22 26.5 38.1 13-14	$\frac{1.3}{0.3}$	N/A	$\frac{.5}{19.7}$	$\frac{11}{.43}$	100
GL**05K GL**35K	SLOW ACTING 	21-22 38.1 13-14	$\frac{1.3}{0.3}$	N/A	$\frac{.5}{19.7}$	$\frac{11}{.43}$	100
GL**06K GL**36K	SLOW ACTING 	11-12 26.5 21-22	$\frac{1.3}{0.3}$	N/A	$\frac{.5}{19.7}$	$\frac{11}{.43}$	100
GL**20K GL**22K GL**24K GL**32K	SNAP ACTION CONTACTS DOUBLE POLE 	11-12, 21-22 26 13-14, 23-24 12 DIFFERENTIAL TRAVEL	$\frac{1.3}{0.3}$	N/A	$\frac{.5}{19.7}$	$\frac{11}{.43}$	100

MGL SERIES CHART 1
 DRAWING NUMBER 13 OF 13
 RELEASE NO. -
 ISSUE 14
 PTC/CAD 3D
 DRAWN GH 05MARC01
 CHECK SAV
 APPROVED BY 0023759
 CMH
 07/16/06
 0037216
 08/18/08
 0043629
 05/21/08
 0048605
 08/18/09

THIS DRAWING COVERS A PROPRIETARY ITEM AND IS THE PROPERTY OF MICRO SWITCH, A DIVISION OF HONEYWELL. THIS DRAWING IS NOT TO BE COPIED OR USED WITHOUT THE APPROVAL OF MICRO SWITCH.

FED. MFG. CODE 91929

CATALOG LISTING

MICRO SWITCH
a Honeywell Division

SWITCH, ENCLOSED

GL SERIES CHART 1

DESIGN UNITS: SI METRIC US CUSTOMARY

WEIGHT

THIRD ANGLE PROJECTION

SCALE: -

DO NOT SCALE PRINT

TOLERANCES

APPLY TO DESIGN UNITS. CONVERSIONS ARE ONLY FOR REFERENCE. UNLESS NOTED, TOLERANCES ARE:

	DIM	TOL.	DIM	TOL.
NO PLACES	X	±.04	X	±.0015
ONE PLACE	X	±.01	X	±.0005
TWO PLACES	X	±.0015	X	±.0002
THREE PLACES	X	±.0002	X	±.0001
ANGLES		±2'		