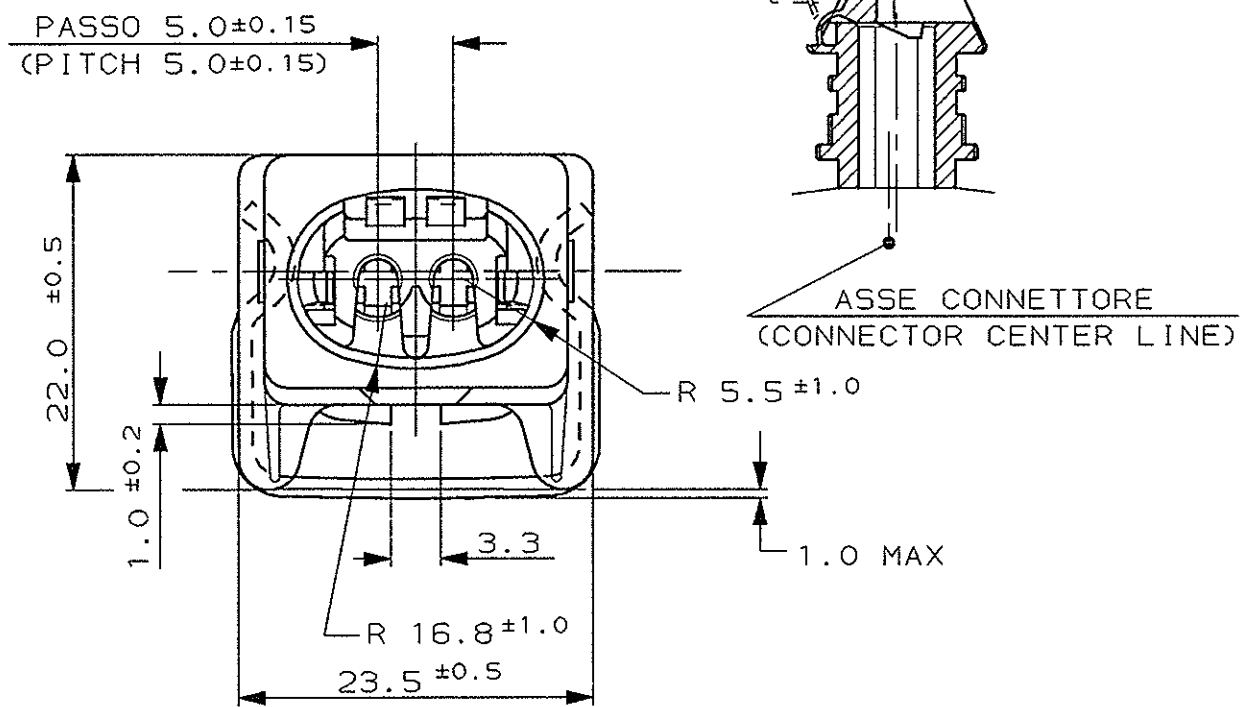
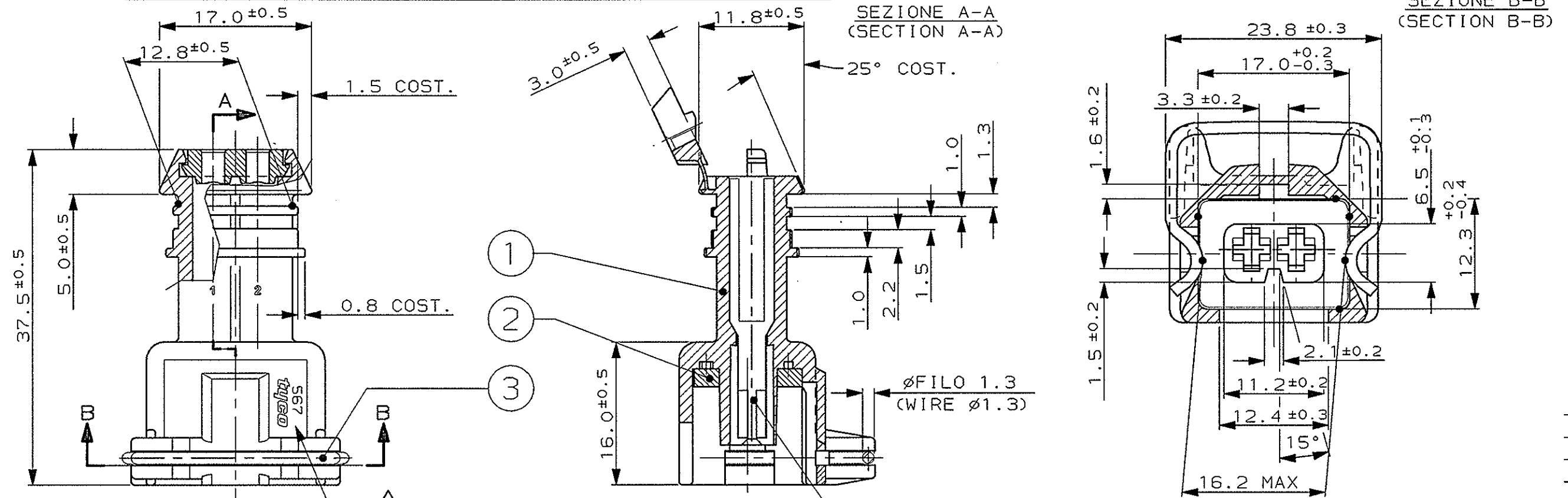


CONNETTORE TIPO A (CON MOLLA DI RITEGNO ESTERNA)
CONNECTOR TYPE A (WITH EXTERNAL SPRING)

SCALA NON IMPEGNATIVA (DO NOT SCALE)
DIMENSIONI IN (DIMENSIONS IN) mm METRIC
PROIEZIONE EUROPEA (EUROPEAN PROJECTION)



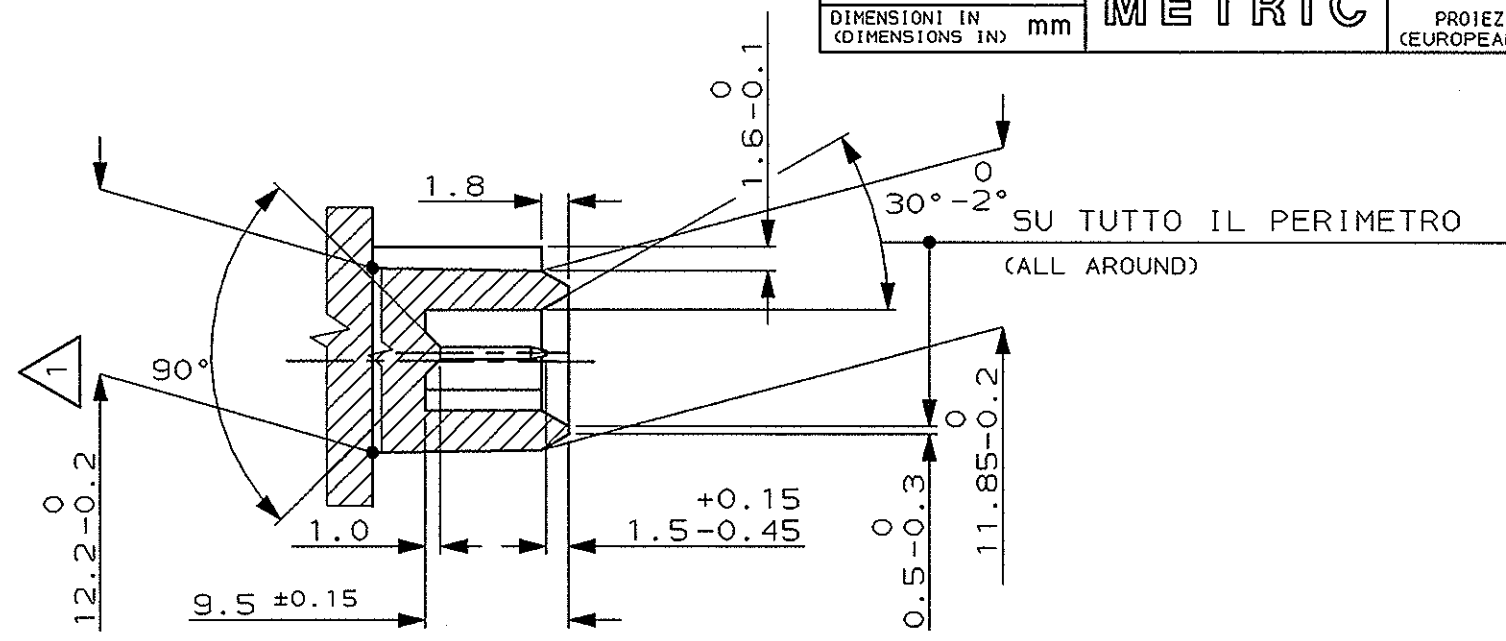
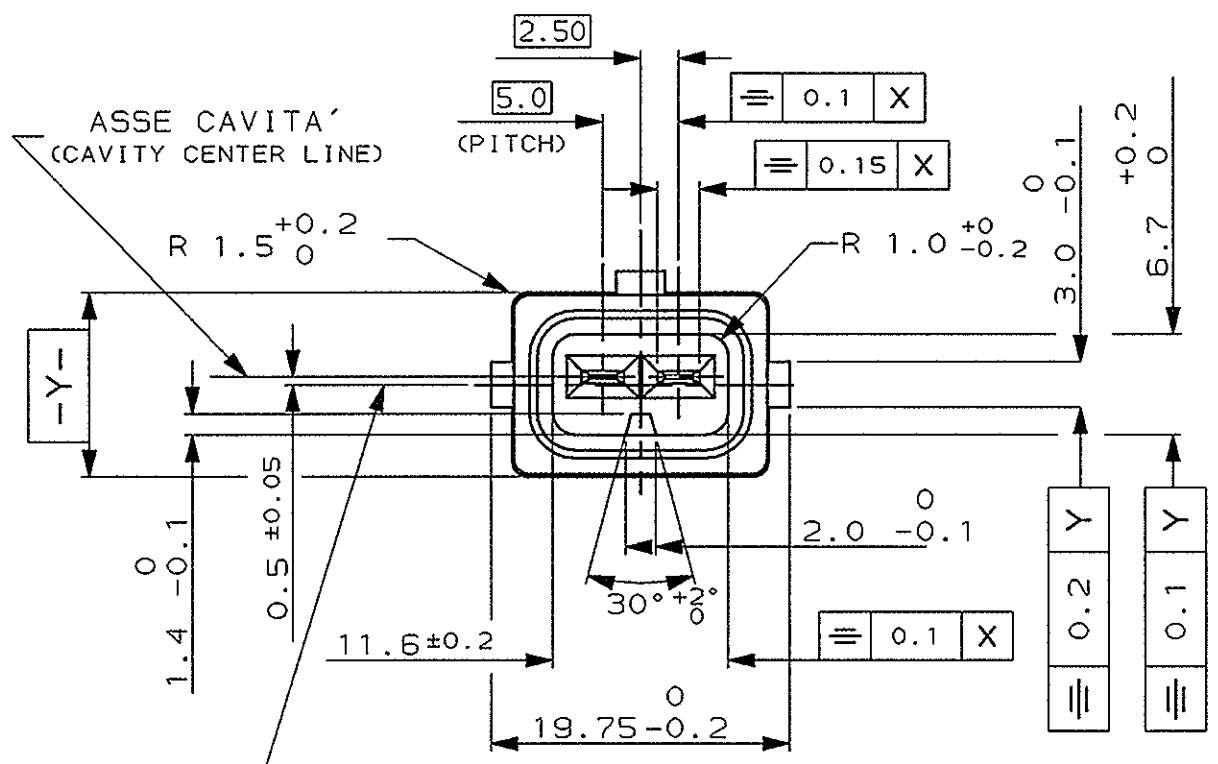
TIP. CAVITA' PER TERMINALI AMP JPT P/N 929939-...
OPPURE 929937-... E RELATIVI GOMMINI
AMP P/N 828904-1, 828905-1, 282536-1.
TAPPO CAVITA' P/N 828906-2
(TYP. CAV. FOR JPT CONT. P/N 929939-... A/O 929937-... AND REL.
SINGLE WIRE SEAL P/N 828904-1, 828905-1, 282536-1
CAVITY PLUG P/N 828906-2)

NERO (BLACK)	2-282189-1				
ROSSO (RED)	282189-8				
GIALLO (YELLOW)	282189-7				
MARRONE (BROWN)	282189-6	3	//////	ACCIAIO INOX (STAINLESS STEEL)	
BLU (BLUE)	282189-5			MOLLA (SPRING)	
VERDE (GREEN)	282189-4	2	NATURALE (CLEAR)	GOMMA SILICONICA (SILICONE RUBBER)	
NATURALE (CLEAR)	282189-3			GUARNIZIONE (RUBBER GASKET)	
GRIGIO (GREY)	282189-2	1	//////	PA 6.6 C.VETRO (PA 6.6 G.F.)	
NERO (BLACK)	282189-1			BLOCCHETTO (HOUSING)	
COLORE (COLOR)	NUMERO PART. N°	N° (ITEM)	FINITURA / COLORE (FINISH / COLOUR)	MATERIALE (MATERIAL)	DESCRIZIONE (DESCRIPTION)
L3	REVISED (ECR-06-024211)	M.G.			
L2	REVISED (ECR 05-012643)	M.G.			
L1	REVISED FOR ET00-0080-98	M.P.			
L	AGGIOR. CON ET00-0221-96 REVISED FOR ET00-0221-96	A.F.			
G	AGGIOR. CON ET00-0108-95 REVISED PER ET00-0108-95	M.P.			
F	AGG. FOGLIO 2 (ADDED SH.2)	R.M.			
E	IN PRODUZIONE (IN PRODUCTION)	R.M.			
D	AGGIORNATO (REVISED)	R.M.			
C	AGGIORNATO (REVISED)	R.M.			
B	AGGIORNATO (REVISED)	R.M.			
A	WAS P/N C-90-51265-10	C.E.			
REV.	REVISIONI (REVISION RECORD)	DIS. (DR)	DATA (DATE)	APP. (APP.)	

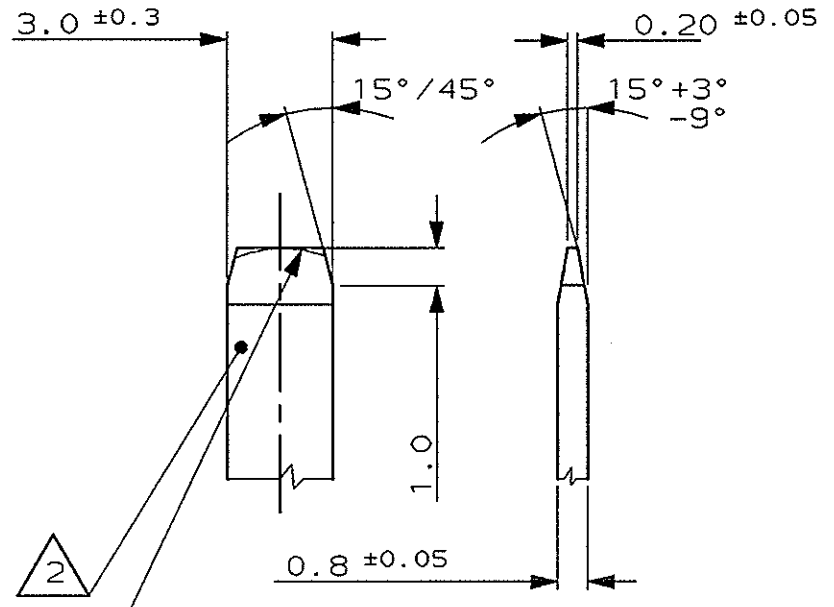
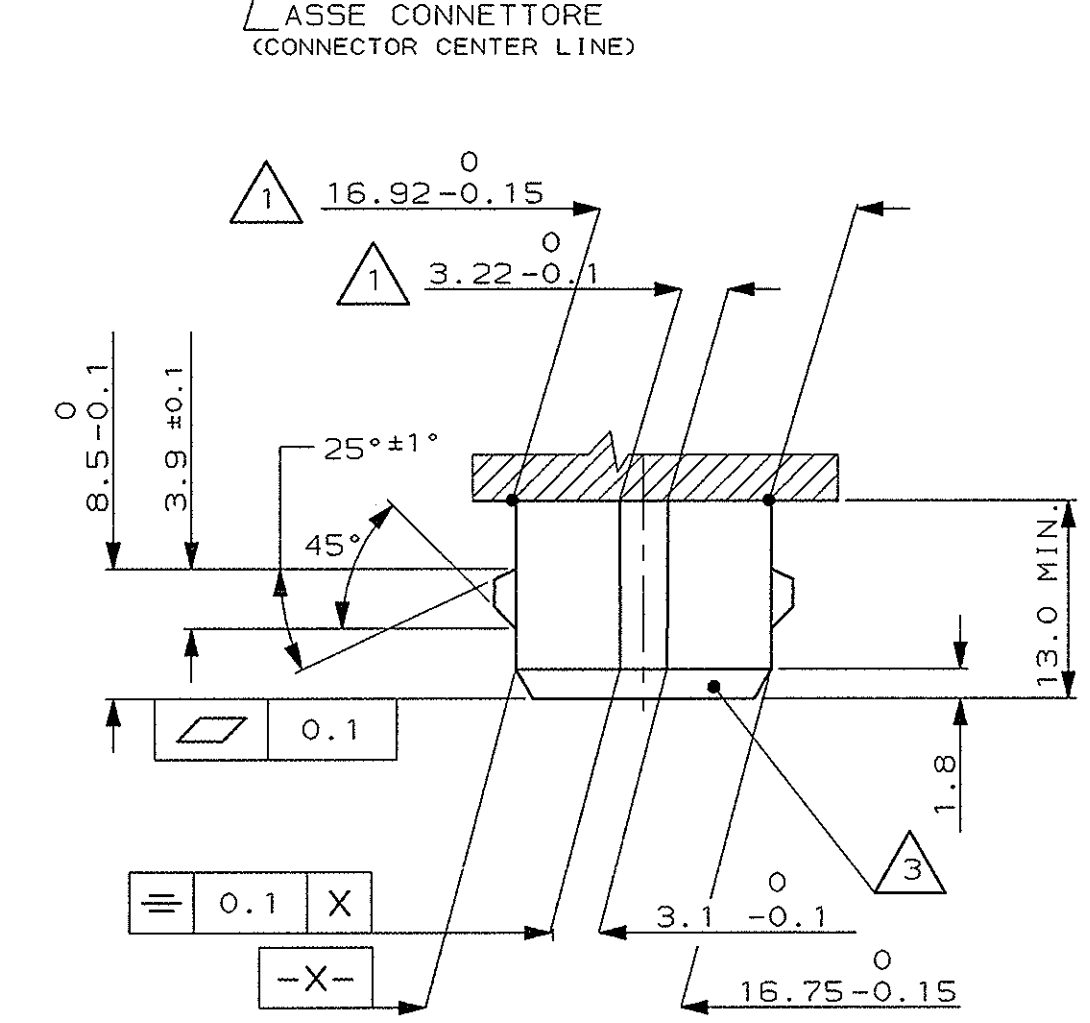
CUSTOMER DWG. FOR REFERENCE ONLY		DISEGNO PER CLIENTE SOLO PER RIFERIMENTO	
THIS DRAWING IS UNPUBLISHED			
RELEASE FOR PUBLICATION 19			
© COPYRIGHT 19 BY AMP INCORPORATED, HARRISBURG, PA. ALL INTERNATIONAL RIGHT RESERVED. AMP PRODUCTS MAY BE COVERED BY U.S. AND FOREIGN PATENT AND/OR PATENT PENDING			
TOLLERANZE: SE NON DIVERSAMENTE SPECIFICATO (TOLERANCES, UNLESS OTHERWISE SPECIFIED)	DIAM. ISOLANTE (INS. DIA. RANGE)	RANGO FILO (WIRE RANGE)	SCALA (SCALE)
± 0.3	1.5-3.0 (REDUCED INS. CABLE)	0.5-2.5 mm ²	***
ANGOLI (ANGLES)	± 2°		
DIS. NOV. 9 '90 (DR.)		DESCRIZIONE (DESCRIPTION)	
Ennio CINI		2 W. SPLASH PROOF CONN. ASS'Y with SECONDARY LOCK	
CONT. 13 OCT 92 (CHK)	C. TARTARI	LOC. (LOC.)	REV. (REV.)
I A3	C-282189	L3	1
			DI (OF) 2

- 1 LOGO TYCO O, IN ALTERNATIVA, LOGO AMP (TYCO LOGO OR, IN ALTERNATIVE, AMP LOGO)
- 2 DIFFERISCE DAL ...-1 ESCLUSIVAMENTE PER IL PACKAGING (DIFFERS FROM ...-1 ONLY FOR PACKAGING DETAILS)
- 3) PER DIMENSIONI CONTROPARTE VEDERE FOGLIO 2 (FOR COUNTERPART DIMENSIONS SEE SHEET 2)

DISTRIBUZIONE (PRINT/DIST.)



DETT. LINGUETTA TAB-SCALA 5:1-
 (TAB DETAIL)



FORMA ALTERNATIVA PERMESSA CON RAGGIO
 (ALLOWED ALTERNATIVE PROFILE WITH RADIUS)

- 1 QUOTE APPLICABILI PER SFORMATURA PEZZO (DRAFT PERMITTED TO FACILITATE REMOVAL OF PART FROM THE MOULD)
- 2 MATERIALE LINGUETTE: LEGA DI RAME STAGNATA, ES. OTTONE STAGNATO. (TAB CONTACT MATERIAL: TIN PLATED COPPER ALLOY. E.G. BRASS TIN PLATED)
- 3 MATERIALE BLOCCHETTO: TERMOPLASTICO CARICATO FIBRA VETRO. (HOUSING MATERIAL: THERMOPLASTIC, GLASS FIBER FILLED)

FINITURA / COLORE (FINISH / COLOUR)	MATERIALE (MATERIAL)	NUMERO (PART NUMBER)
CUSTOMER DWG. FOR REFERENCE ONLY	DISEGNO PER CLIENTE SOLO PER RIFERIMENTO	19
THIS DRAWING IS UNPUBLISHED		RELEASE FOR PUBLICATION
© COPYRIGHT 19 BY AMP INCORPORATED, HARRISBURG, PA. ALL INTERNATIONAL RIGHT RESERVED. AMP PRODUCTS MAY BE COVERED BY U.S. AND FOREIGN PATENT AND/OR PATENT PENDING		
TOLLERANZE: SE NON DIVERSAMENTE SPECIFICATO (TOLERANCES: UNLESS OTHERWISE SPECIFIED)	DIAM. ISOLANTE (INS. DIA. RANGE)	RANGO FILO (WIRE RANGE)
± 0.3	---	---
ANGOLI (ANGLES)	SCALA (SCALE)	
± 2°	---	
DIS. (DR.)	DESCRIZIONE (DESCRIPTION)	
CONT. (CHK)	2 POS. SPLASH PROOF CONN. ASS'Y with SECONDARY LOCK	
REV. (REV. LVL.)	LOC. SIZE (DWG NO)	REV. (REV. LVL.)
---	I A3	L3
---	NUMERO (DWG NO)	FOLGIO (SHEET)
---	C-282189	2 DI (CF) 2

REV. (REV. LVL.)	REVISIONI (REVISION RECORD)	DIS. (DR)	DATA (DATE)	APP. (APP.)

DISTRIBUZIONE (PRINT DIST.)