

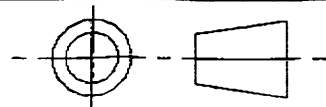
COPYRIGHT 1994 M.C.C. LTD. THIS Dwg. MUST NOT BE USED FOR ANY PURPOSE OTHER THAN THAT FOR WHICH IT IS SUPPLIED WITHOUT CONTRACTUAL OR OTHER LIABILITY FOR ERRORS OR OMISSIONS WHERE USED FOR MANUFACTURE EXCEPT BY THE COMPANY OR ITS SUBSIDIARIES

20/09 2002 14:20 FAX +44 1793 611777

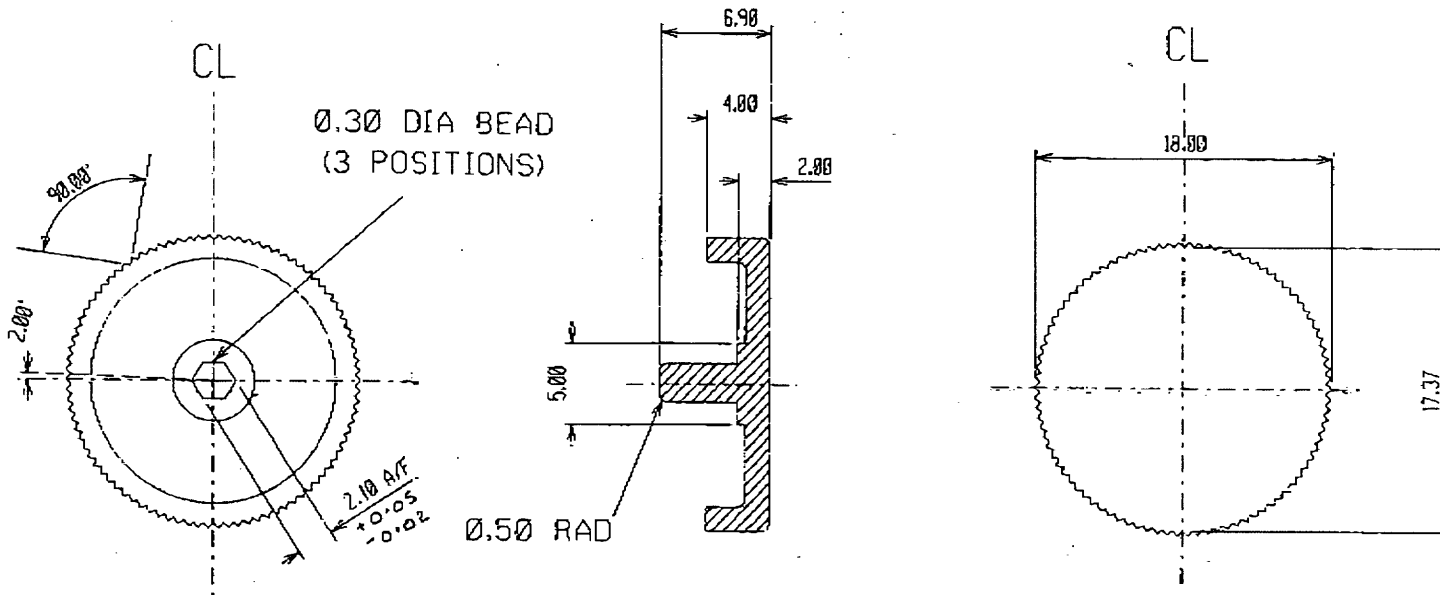
TYCO ELECTRONICS

002

THIRD ANGLE PROJECTION



DO NOT SCALE



SECTION ON CL

NOTES:

1. ALL SURFACES TO BE SMOOTH.
2. COMPONENT TO BE FREE FROM FLASH AND DISTORTION.
3. COMPONENT TO GIVE PUSH FIT ONTO 408 HH POTENTIOMETER.
4. COMPONENT IS SYMETRICAL ABOUT CL.
5. OUTER PERIMETER TO BE SPLINED AS SHOWN.
6. COLOUR TO BE DARK GREY (PANTONE 432C).
7. UNMARKED RADII MAY BE 0.50 MAX TO AID TOOLING.
8. GENERAL WALL THICKNESS TO BE 1.50 MM.



DRN. D.G.P.	ISSUE	1	2	3	CUSTOMER REFERENCE ORG.No. 09202173 (Issue A1 - 16/02/94)
	DATE	08/04/94	07/11/94	11/2/98	
CHKD. A.S.M.	C.N. NO.		31/3955	31/3955	SCALE 2:1
	CUST. REF. CUST. ISS.				
APPD. [Signature]	MATERIAL	FINISH		TOLERANCES-UNLESS OTHERWISE STATED	TITLE VOLUME CONTROL KNOB
	POLYCARBONATE			DIMENSIONS +/- 0.1 ANGLES +/- 0.30° DIMENSIONS IN MM	
					DRAWING NUMBER CP105908

1

2

3

4

A3