

378-4484

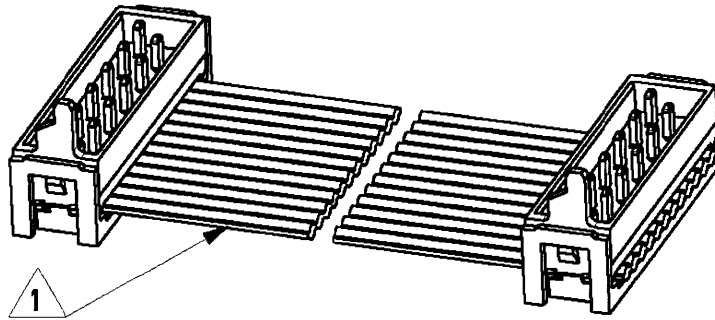
THIS DRAWING IS A CONTROLLED DOCUMENT FOR Tyco Electronics Nederland B.V.
IT IS SUBJECT TO CHANGE AND THE CONTROLLING ENGINEERING ORGANIZATION SHOULD BE CONTACTED FOR THE LATEST REVISION.

LOC	DIST	LTR	REVISION RECORD	DATE	APVD
H	-	A	EH00-1269-01	19/11/01	HS
-	-	-	-	-	-
-	-	-	-	-	-

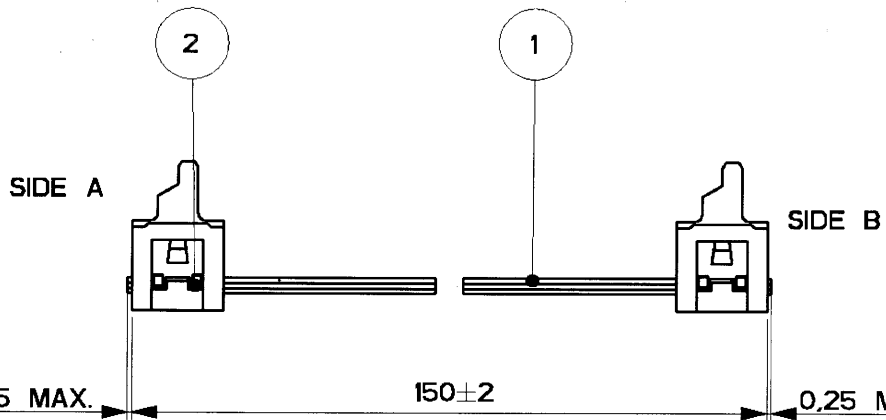
1 WIRE RED MARKED

2 ASSEMBLIES ARE PACKAGED ACCORDING PACKAGING SPEC 107-19582

SIDE A



SIDE B



Item no.	Description	Q'TY
2	MALE ON WIRE CONNECTOR	2
1	BULK WIRE FLAT RIBBON CABLE	1

DIMENSIONS: mm TOLERANCES UNLESS OTHERWISE SPECIFIED: 0 PLC ± - 1 PLC ± - 2 PLC ± - 3 PLC ± - 4 PLC ± - ANGLES ± -	DWN H.Spelde	MATERIAL	FINISH
	CHK H. Spelde	AMP Tyco Electronics Nederland B.V. 'S-HERTOGENBOSCH, THE NETHERLANDS	
APVD E. Leijtens	NAME Micro-MaTch Lead Ass'y 12 POSITIONS		
PRODUCT SPEC -	APPLICATION SPEC -	SIZE A4	CAGE CODE 00779
WEIGHT -	DRAWING NO C-1483354-2		SCALE 5:2
CUSTOMER DRAWING		SHEET 1 OF 1	REV A

ALL RIGHTS RESERVED.

DATE: -
XXXXXXXXXXXX
By Tyco Electronics Nederland B.V.

THIS DRAWING IS UNPUBLISHED.
COPYRIGHT -