

# MICRO SWITCH

A DIVISION OF MINNEAPOLIS-HONEYWELL REGULATOR COMPANY  
ROSBURG, ILLINOIS

FED. MFR. CODE 91929

# SWITCH-BASIC

CATALOG LISTING

## BA-2RV6-A2

BA-2RV6-A2

PAGE 1 OF 1

REPLACES

RELEASE NO. SR 9989

M

DRAWING NUMBER

ISSUE 4

REVISIONS

A	CO-73287-J	JAL	22 NOV 93
B	CO-77390	SAD	8 JUN 94
C	C093346	DLT	26 AUG 98

CHECK

61

DEC

BRJ

CHECK

61

DEC

DAW

CHECK

61

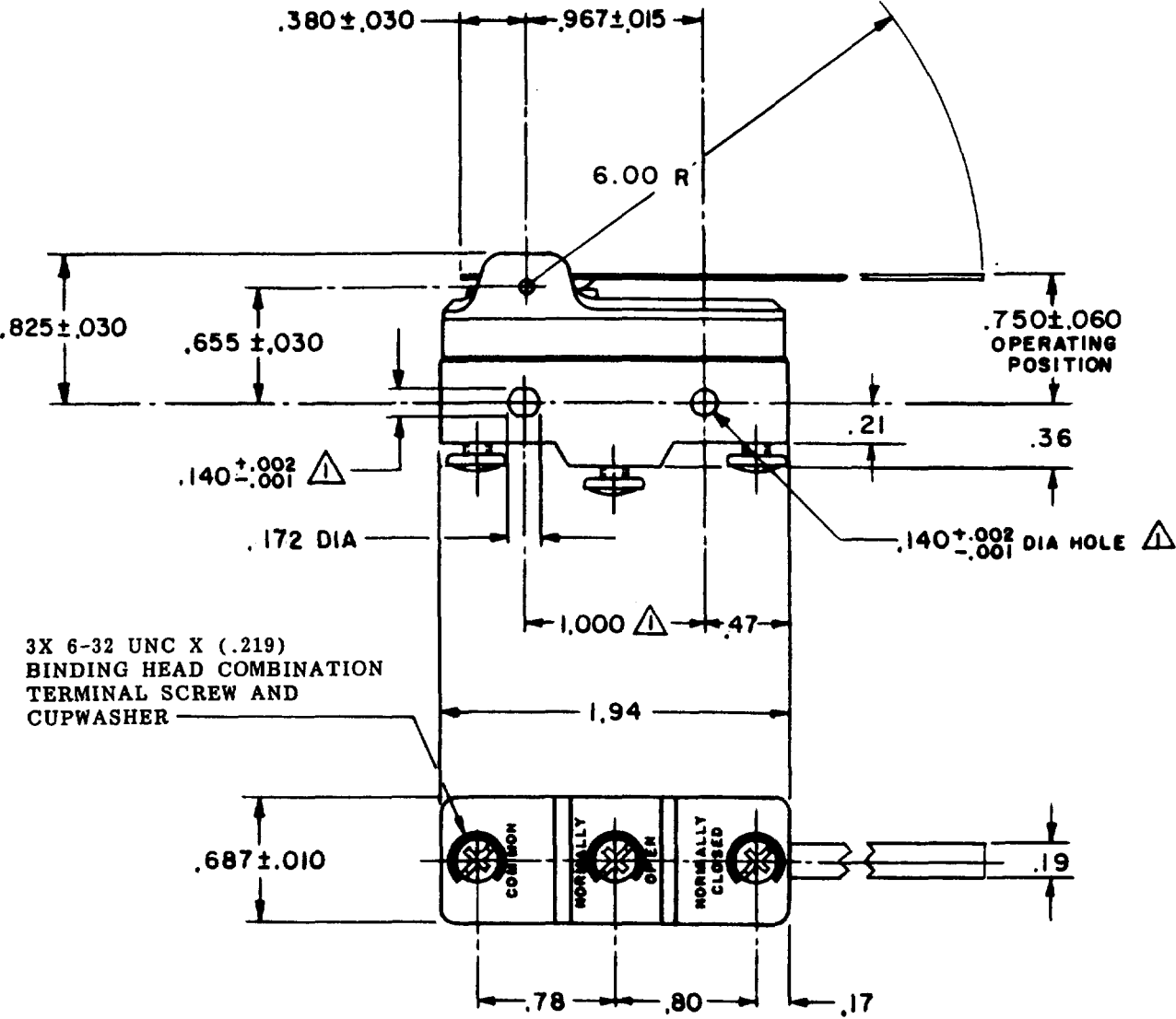
DEC

MBF

DRAWN

FORMTEK

0-50378



NOTE -  
 ▲ - MOUNTING HOLES WILL ACCEPT PINS OR SCREWS OF  $.139$  MAX DIA ON  $1.000 \pm .002$  CENTERS

THIS DRAWING COVERS A PROPRIETARY ITEM AND IS THE PROPERTY OF MICRO SWITCH, A DIVISION OF MINNEAPOLIS-HONEYWELL REGULATOR CO. THIS DRAWING IS NOT TO BE COPIED OR USED WITHOUT THE APPROVAL OF MICRO SWITCH.

CHARACTERISTICS	ELECTRICAL DATA		SCALE FULL	
OPERATING FORCE ----- 1 OZ MAX	CONTACT ARRANGEMENT S P D T	BREAK DISTANCE .020 MIN	DO NOT SCALE PRINT	
RELEASE FORCE ----- 1/4 OZ MIN	L23	UNDERWRITERS' LAB. INC. LISTED RATING 20A - 125, 250 OR 480 VAC 10A - 125 VAC "L" 1HP - 125 VAC, 2HP - 250 VAC 1/2A - 125 VDC, 1/4A - 250 VDC	UNLESS OTHERWISE SPECIFIED DIMENSIONS ARE IN INCHES <b>TOLERANCES ARE:</b> ONE PLACE (.0) $\pm .030$ TWO PLACE (.00) $\pm .015$ THREE PLACE (.000) $\pm .005$ ANGLES $\pm$	
DIFFERENTIAL TRAVEL ----- .234 MAX	L288			CE D SP
OVERTRAVEL ----- .297 MIN	L299			
	L308		WEIGHT	