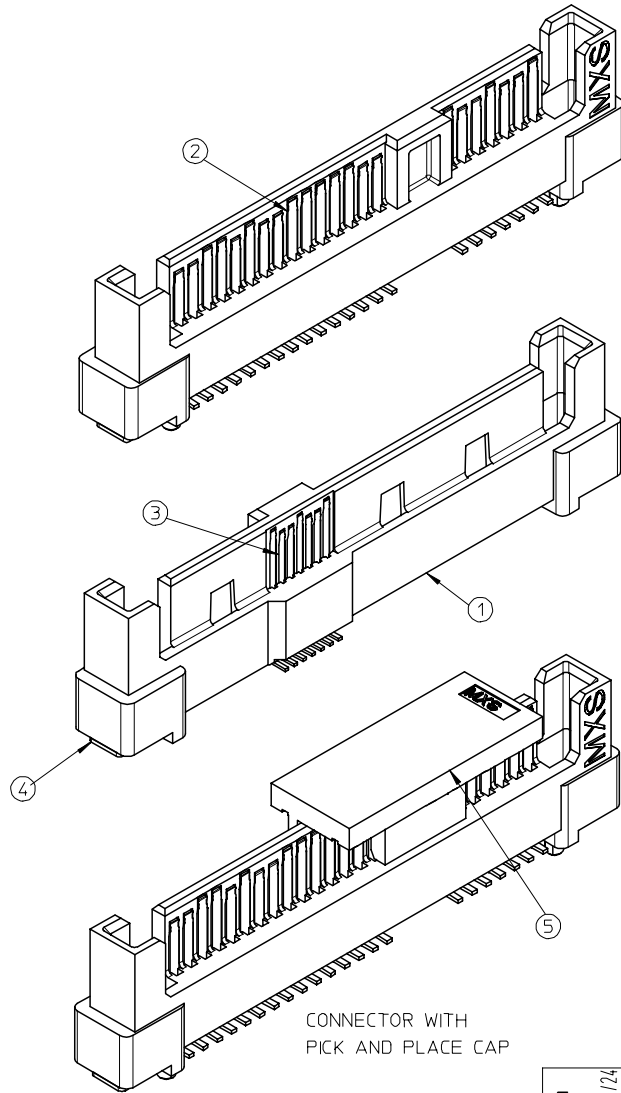


10 9 8 7 6 5 4 3 2 1



CONNECTOR WITH PICK AND PLACE CAP

NO.	PART NAME	QTY.	MATERIAL
1	HOUSING	1	NYLON(IPA), UL 94V-0, COLOR: BLACK
2	CONTACT A	22	COPPER ALLOY
3	CONTACT B	7	COPPER ALLOY
4	FITTING-NAIL	2	COPPER ALLOY
5	PICK & PLACE CAP	1	PA46, UL 94V-0, COLOR: BLACK

NOTES:

1. MATERIAL: REFER TO THE ABOVE PART-LIST.
2. PLATING SPECIFICATION: REFER TO TABLE-1.
3. APPLICABLE INDUSTRY SPECIFICATION :
SFF-8482 UNSHIELDED DUAL PORT SERIAL ATTACHMENT CONNECTOR.
4. PRODUCT SPECIFICATION: PS-78012-002.
5. PACKING: REFER TO PACKING INFORMATION (SHEET 6/6).
6. DATE CODE FORMAT: YEAR & DAY OF MANUFACTURE.
7. MOLEX LOGO IS LOCATED APPROXIMATELY AS SHOW.
8. MAXIMUM WARPAGE OF 0.13mm OVER THE LENGTH OF THE CONNECTOR IN ANY DIRECTION BEFORE AND AFTER EXPOSURE TO MAX. 260°C FOR 10 SECONDS.

TABLE-1: (CONTACT AND FITTING-NAIL PLATING SPECIFICATION)

PART NAME	MATING AREA	TERMINAL AREA	OTHERS AREA
CONTACT	GOLD (0.76µm MIN.)	TIN (1.91µm MIN.)	NICKEL PLATING
	OVER 1.27µm MIN. NICKEL UNDERPLATE		
FITTING-NAIL	TIN OVER NICKEL UNDERPLATE		

PCB 1.60 TO 1.57mm
 EC NO: S2006-0648
 DRWN:CGTAN 2006/01/24
 CHKD:SHONG 2006/01/24
 APPR:KCLING 2006/01/24

QUALITY SYMBOLS
 ▽=0
 ▽=0
 DESCRIPTION
 REV

GENERAL TOLERANCES (UNLESS SPECIFIED)

	mm	INCH
4 PLACES	± ---	± ---
3 PLACES	± ---	± ---
2 PLACES	± 0.20	± ---
1 PLACE	± ---	± ---

ANGULAR ± 3 °

DRAFT WHERE APPLICABLE MUST REMAIN WITHIN DIMENSIONS

DIMENSION STYLE
 MM ONLY

DRAWN BY	DATE
CGTAN	2005/11/10
CHECKED BY	DATE
SHONG	2005/11/24
APPROVED BY	DATE
KCLING	2005/11/24

MATERIAL NO. 78012-0011

SCALE NTS
 DESIGN UNITS METRIC
 THIRD ANGLE PROJECTION

TITLE SERIAL ATTACH SCSI (SAS) PLUG, VERTICAL MOUNT SMT

MOLEX MOLEX INCORPORATED

DOCUMENT NO. SD-78012-101

SHEET NO. 1 OF 6

THIS DRAWING CONTAINS INFORMATION THAT IS PROPRIETARY TO MOLEX INCORPORATED AND SHOULD NOT BE USED WITHOUT WRITTEN PERMISSION

9 8 7 6 5 4 3 2 1

10 9 8 7 6 5 4 3 2 1

F

E

D

C

B

A

F

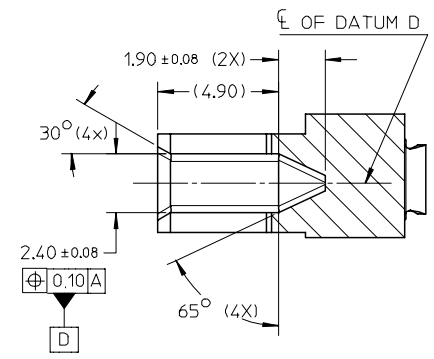
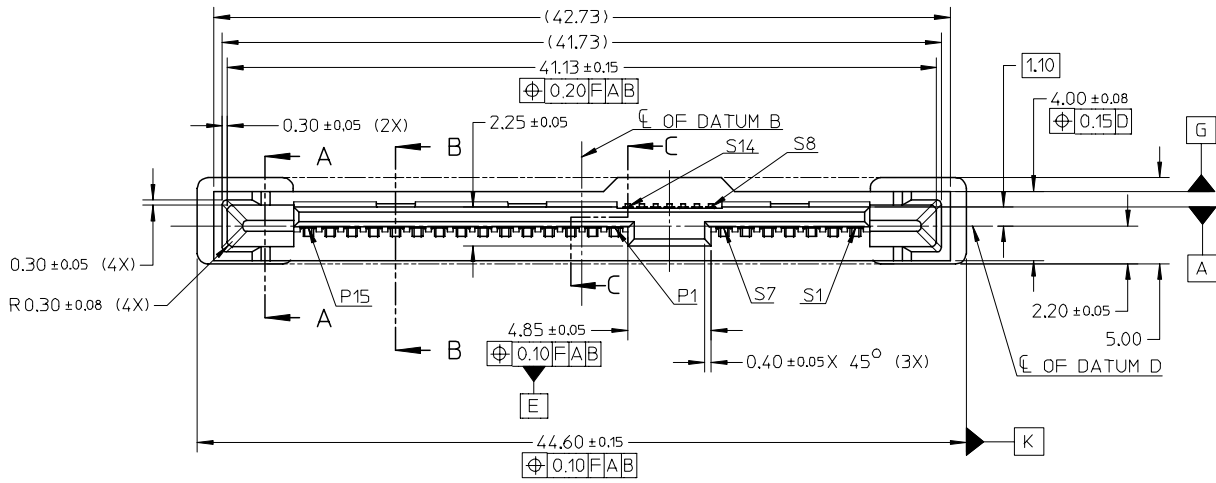
E

D

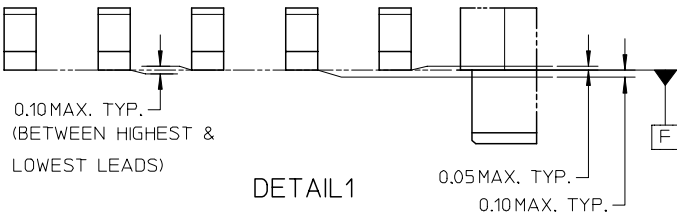
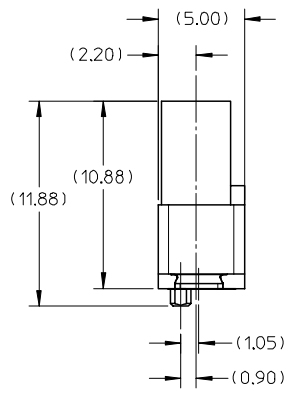
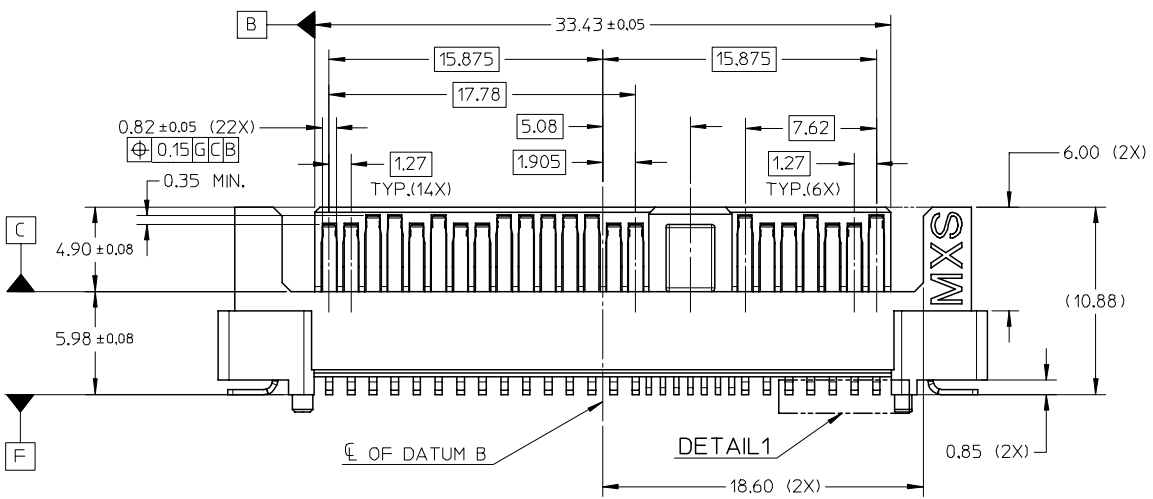
C

B

A



SECTION A-A



REFER TO SHEET 1	QUALITY SYMBOLS
EC NO: S2006-0648	▽=0
DRWN:CGTAN	▽=0
CHKD:SHONG	
APPR:KCLING	
REV	DESCRIPTION
A1	

GENERAL TOLERANCES (UNLESS SPECIFIED)	
mm	INCH
4 PLACES ± ---	± ---
3 PLACES ± ---	± ---
2 PLACES ± 0.20	± ---
1 PLACE ± ---	± ---
ANGULAR ± 3°	
DRAFT WHERE APPLICABLE MUST REMAIN WITHIN DIMENSIONS	

DIMENSION STYLE	
MM ONLY	
DRAWN BY	DATE
CGTAN	2005/11/10
CHECKED BY	DATE
SHONG	2005/11/24
APPROVED BY	DATE
KCLING	2005/11/24
MATERIAL NO.	78012-0011
SIZE	A3

SCALE	DESIGN UNITS	THIRD ANGLE PROJECTION
NTS	METRIC	
TITLE		
SERIAL ATTACH SCSI (SAS) PLUG, VERTICAL MOUNT SMT		
MOLEX INCORPORATED		
DOCUMENT NO.	SHEET NO.	
SD-78012-101	2 OF 6	
THIS DRAWING CONTAINS INFORMATION THAT IS PROPRIETARY TO MOLEX INCORPORATED AND SHOULD NOT BE USED WITHOUT WRITTEN PERMISSION		

9 8 7 6 5 4 3 2 1

10 9 8 7 6 5 4 3 2 1

F

E

D

C

B

A

F

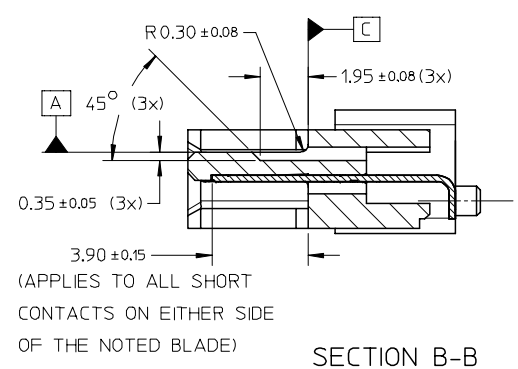
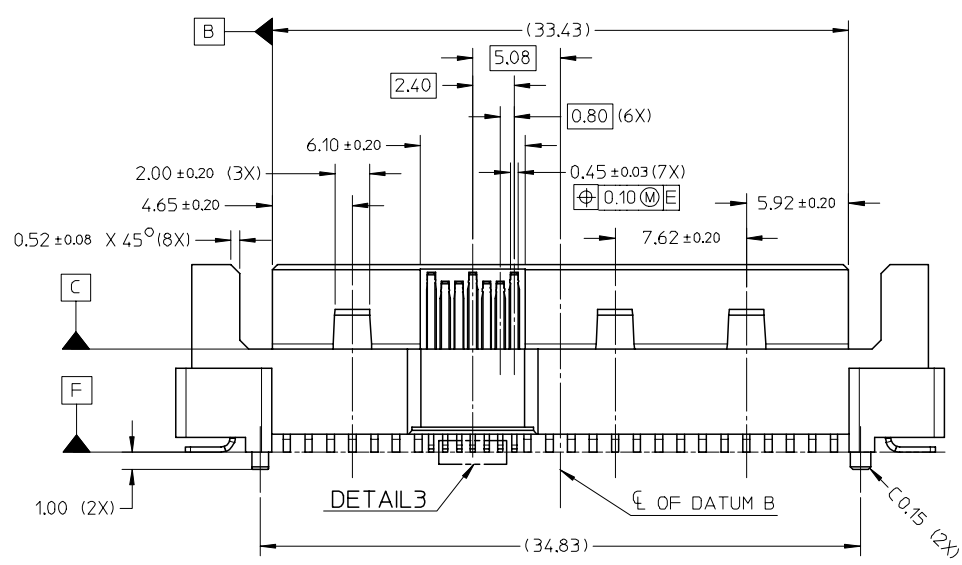
E

D

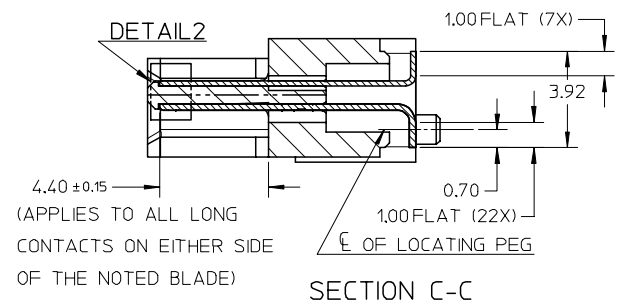
C

B

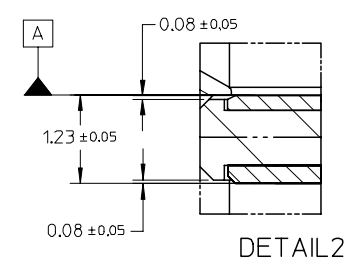
A



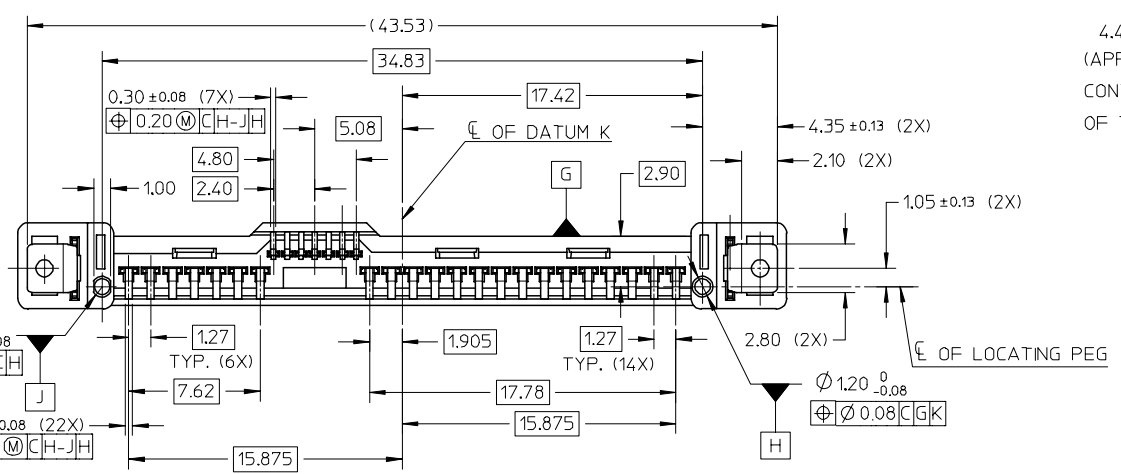
SECTION B-B



SECTION C-C



DETAIL 2



DETAIL 3

REFER TO SHEET 1.
 EC NO: S2006-0648 2006/01/24
 DRWN:CGTAN 2006/01/24
 CHKD:SHONG 2006/01/24
 APPR:KCLING 2006/01/24

QUALITY SYMBOLS	DESCRIPTION
▽=0	
∇=0	

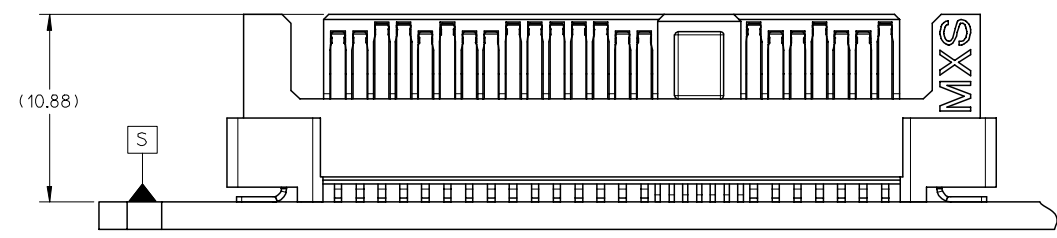
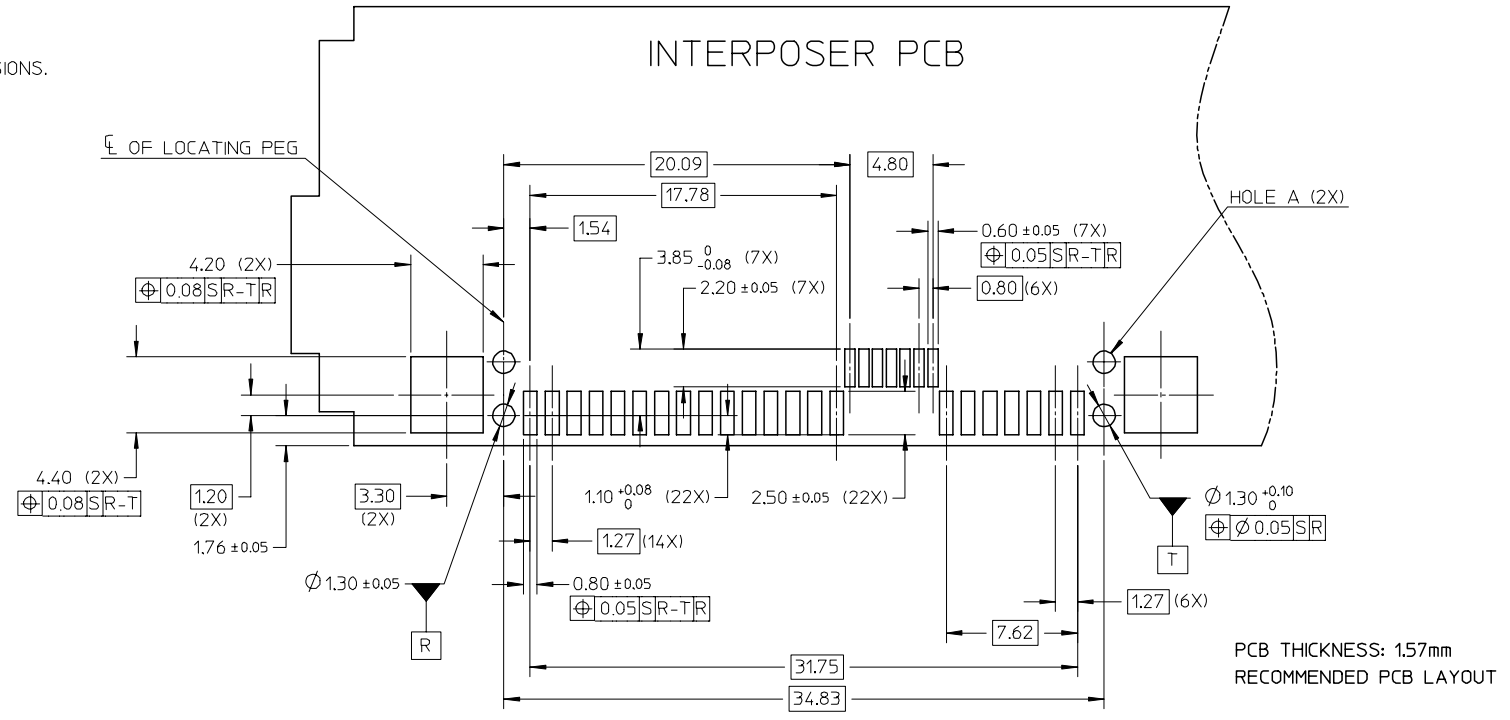
GENERAL TOLERANCES (UNLESS SPECIFIED)	
mm	INCH
4 PLACES ± ---	± ---
3 PLACES ± ---	± ---
2 PLACES ± 0.20	± ---
1 PLACE ± ---	± ---
ANGULAR ± 3°	
DRAFT WHERE APPLICABLE MUST REMAIN WITHIN DIMENSIONS	

DIMENSION STYLE	
MM ONLY	
DRAWN BY	DATE
CGTAN	2005/11/10
CHECKED BY	DATE
SHONG	2005/11/24
APPROVED BY	DATE
KCLING	2005/11/24
MATERIAL NO.	
78012-0011	

SCALE	DESIGN UNITS	THIRD ANGLE PROJECTION	
NTS	METRIC		
TITLE		MOLEX INCORPORATED	
SERIAL ATTACH SCSI (SAS) PLUG, VERTICAL MOUNT SMT		DOCUMENT NO.	SHEET NO.
		SD-78012-101	3 OF 6
THIS DRAWING CONTAINS INFORMATION THAT IS PROPRIETARY TO MOLEX INCORPORATED AND SHOULD NOT BE USED WITHOUT WRITTEN PERMISSION			

9 8 7 6 5 4 3 2 1

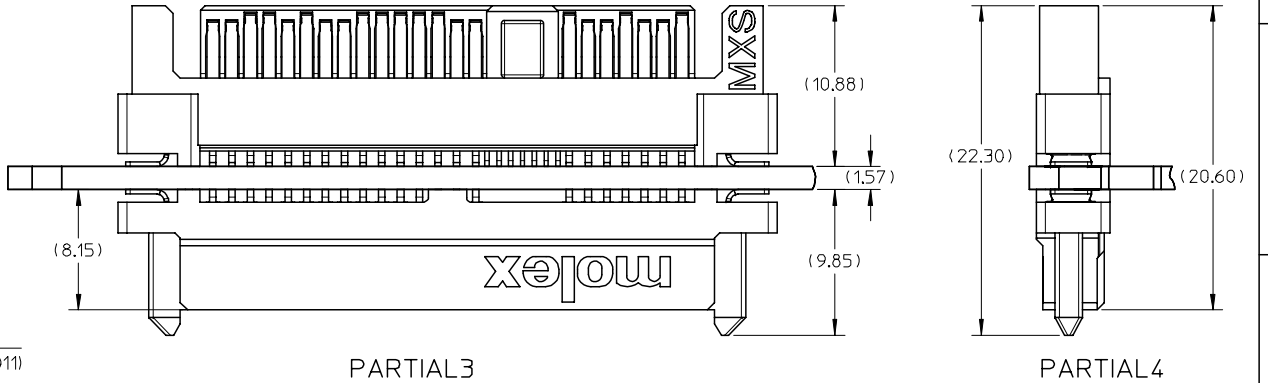
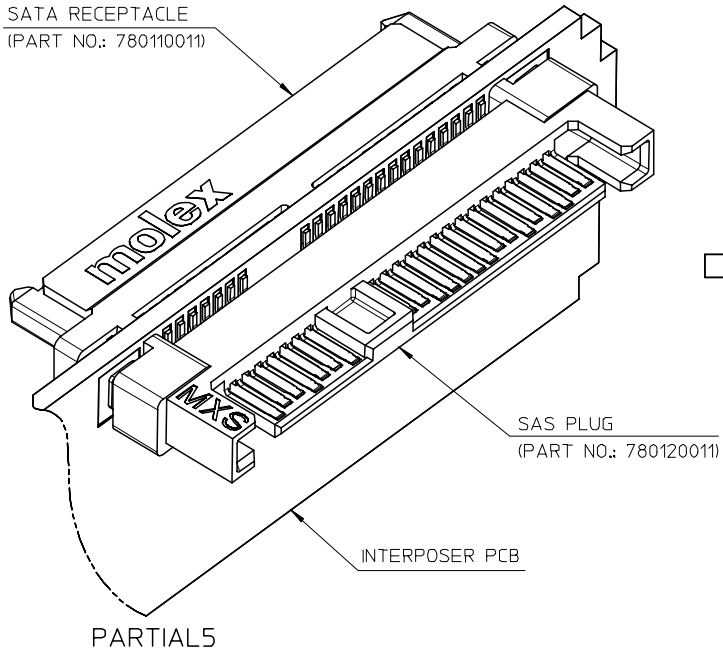
NOTES:
 1. REFER TO SD-78011-101
 FOR HOLES A DETAIL DIMENSIONS.



REFER TO SHEET 1. EC NO: S2006-0648 DRWN:CGTAN CHKD:SHONG APPR:KCLING	2006/01/24 2006/01/24 2006/01/24	QUALITY SYMBOLS ▽=0 ▽=0	GENERAL TOLERANCES (UNLESS SPECIFIED)		DIMENSION STYLE MM ONLY		SCALE NTS	DESIGN UNITS METRIC	THIRD ANGLE PROJECTION			
				mm	INCH	DRAWN BY CGTAN	DATE 2005/11/10	TITLE SERIAL ATTACH SCSI (SAS) PLUG, VERTICAL MOUNT SMT	MOLEX INCORPORATED		SHEET NO. 4 OF 6	
			4 PLACES	± ---	± ---	CHECKED BY SHONG	DATE 2005/11/24					
			3 PLACES	± ---	± ---	APPROVED BY KCLING	DATE 2005/11/24					
2 PLACES	± 0.20	± ---	DRAFT WHERE APPLICABLE MUST REMAIN WITHIN DIMENSIONS		MATERIAL NO. 78012-0011	DOCUMENT NO. SD-78012-101						
1 PLACE	± ---	± ---			SIZE A3	THIS DRAWING CONTAINS INFORMATION THAT IS PROPRIETARY TO MOLEX INCORPORATED AND SHOULD NOT BE USED WITHOUT WRITTEN PERMISSION						
ANGULAR ± 3 °												

10 9 8 7 6 5 4 3 2 1

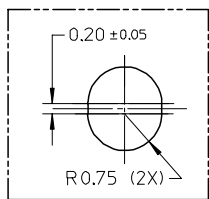
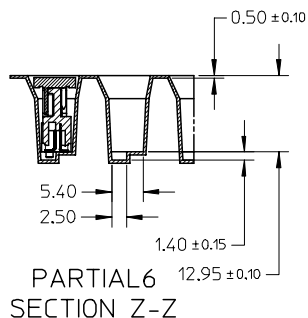
NOTES:
 1. APPLICATION AS SHOWN IN SHEET 5/6.
 2. REFER TO SD-78011-101 FOR THE DETAILS OF SATA RECEPTACLE.



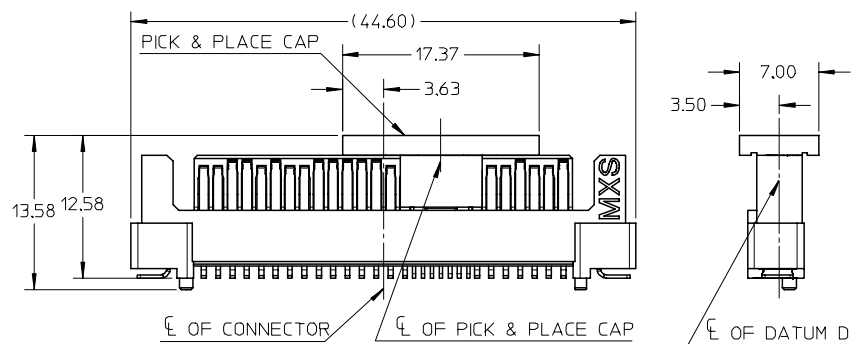
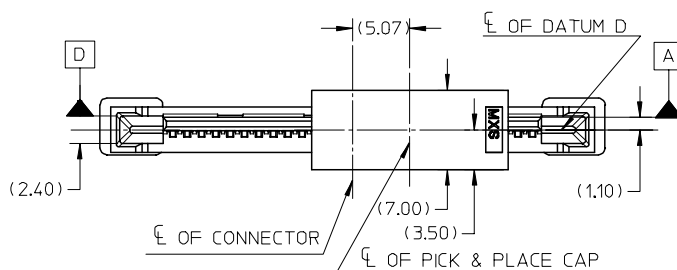
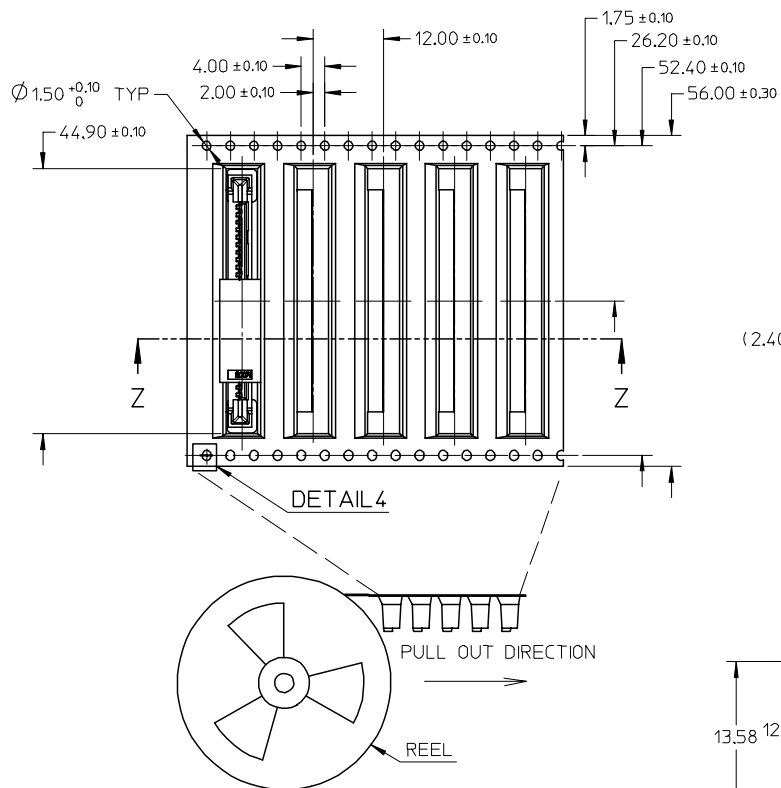
REFER TO SHEET 1 EC NO: S2006-0648 DRWN:CGTAN CHKD:SHONG APPR:KCLING	2006/01/24 2006/01/24 2006/01/24	QUALITY SYMBOLS ▽=0 ▽=0	GENERAL TOLERANCES (UNLESS SPECIFIED)		DIMENSION STYLE MM ONLY		SCALE NTS	DESIGN UNITS METRIC	THIRD ANGLE PROJECTION		
			4 PLACES ± --- ± ---	DRAWN BY CGTAN	DATE 2005/11/10	TITLE SERIAL ATTACH SCSI (SAS) PLUG, VERTICAL MOUNT SMT					
			3 PLACES ± --- ± ---	CHECKED BY SHONG	DATE 2005/11/24	MOLEX INCORPORATED					
			2 PLACES ± 0.20 ± ---	APPROVED BY KCLING		DATE 2005/11/24	DOCUMENT NO. SD-78012-101		SHEET NO. 5 OF 6		
		1 PLACE ± --- ± ---	ANGULAR ± 3 °		MATERIAL NO. 78012-0011						
DRAFT WHERE APPLICABLE MUST REMAIN WITHIN DIMENSIONS			SIZE A3		THIS DRAWING CONTAINS INFORMATION THAT IS PROPRIETARY TO MOLEX INCORPORATED AND SHOULD NOT BE USED WITHOUT WRITTEN PERMISSION						

9 8 7 6 5 4 3 2 1

TAPE & REEL PACKING

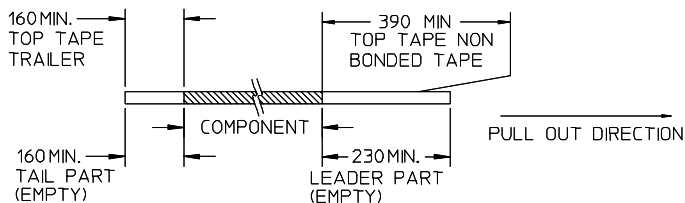


DETAIL 4

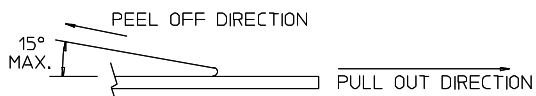


NOTES:

1. LEADER AND TRAILER TAPE



2. PEELING OFF FORCE OF THE TOP TAPE: 80gf MAX. (PEELING DIRECTION AS SHOWN IN FOLLOWING FIGURE)



- 3. TAPE AND REEL SPECIFICATION IS AS PER EIA-481.
- 4. TAPE AND REEL QUANTITY : 350 PCS/ REEL.
- 5. THE TAPE IS TREATED FOR ANTI-STATIC.

REFER TO SHEET 1	2006/01/24	2006/01/24
EC NO: S2006-0648	DRWN:CGTAN	CHKD:SHONG
	APPR:KCLING	
A1	REV	DESCRIPTION

QUALITY SYMBOLS	▽=0	▽C=0
-----------------	-----	------

GENERAL TOLERANCES (UNLESS SPECIFIED)	mm	INCH
	4 PLACES ± ---	± ---
	3 PLACES ± ---	± ---
	2 PLACES ± 0.20	± ---
	1 PLACE ± ---	± ---
	ANGULAR ± 3°	
DRAFT WHERE APPLICABLE MUST REMAIN WITHIN DIMENSIONS		

DIMENSION STYLE		SCALE	DESIGN UNITS	THIRD ANGLE PROJECTION
MM ONLY		NTS	METRIC	
DRAWN BY	DATE	TITLE		
CGTAN	2005/11/10	SERIAL ATTACH SCSI (SAS) PLUG, VERTICAL MOUNT SMT		
CHECKED BY	DATE	MOLEX INCORPORATED		
SHONG	2005/11/24	MATERIAL NO. 78012-0011		
APPROVED BY	DATE	DOCUMENT NO. SD-78012-101		
KCLING	2005/11/24	SHEET NO. 6 OF 6		

MATERIAL NO. 78012-0011			DOCUMENT NO. SD-78012-101	SHEET NO. 6 OF 6
THIS DRAWING CONTAINS INFORMATION THAT IS PROPRIETARY TO MOLEX INCORPORATED AND SHOULD NOT BE USED WITHOUT WRITTEN PERMISSION				