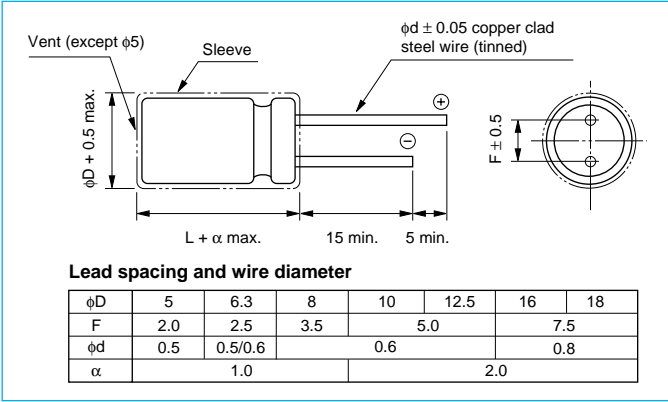


RJH Miniature Aluminum Electrolytic Capacitors

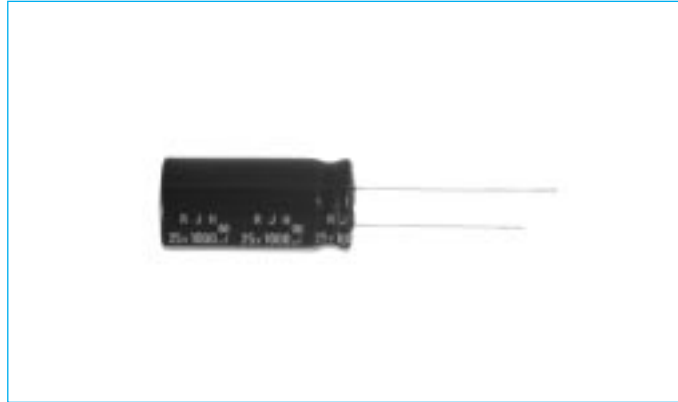
Series RJH High-Frequency, Extra Low-impedance Type

- Very high reliability, biodegradable..
- High-frequency, Extra Low-impedanceType.
- Guaranteed for 5000 hours at 105°C (2000 hours for φ5 to φ6.3) (3000 hours for φ8 to φ10)

Outline Drawing



Photo



Specifications

Unit: mm

No.	Item	Performance																											
1	Temperature range (°C)	-55 to +105																											
2	Leakage current (μA)	Less than 0.01 CV + 2 (after two minutes) C: Capacitance (μF), V: Voltage (V)																											
3	Capacitance tolerance (%)	±20 (20°C, 120 Hz)																											
4	Tangent of loss angle (tan δ)	<table border="1"> <thead> <tr> <th>Rated voltage (V)</th> <th>6.3</th> <th>10</th> <th>16</th> <th>25</th> <th>35</th> <th>50</th> <th>63</th> <th>100</th> </tr> </thead> <tbody> <tr> <td>tan δ</td> <td>0.22</td> <td>0.19</td> <td>0.16</td> <td>0.14</td> <td>0.12</td> <td>0.10</td> <td>0.08</td> <td>0.07</td> </tr> </tbody> </table> <p>0.02 is added to each 1000μF increase over 1000μF</p>	Rated voltage (V)	6.3	10	16	25	35	50	63	100	tan δ	0.22	0.19	0.16	0.14	0.12	0.10	0.08	0.07									
Rated voltage (V)	6.3	10	16	25	35	50	63	100																					
tan δ	0.22	0.19	0.16	0.14	0.12	0.10	0.08	0.07																					
5	Stability at low temperature	<table border="1"> <thead> <tr> <th>Rated voltage (V)</th> <th>6.3</th> <th>10</th> <th>16</th> <th>25</th> <th>35</th> <th>50</th> <th>63</th> <th>100</th> </tr> </thead> <tbody> <tr> <td>Impedance ratio Z-25°C/Z+20°C</td> <td colspan="8">2</td> </tr> <tr> <td>Z-55°C/Z+20°C</td> <td colspan="8">3</td> </tr> </tbody> </table> <p>(120 Hz)</p>	Rated voltage (V)	6.3	10	16	25	35	50	63	100	Impedance ratio Z-25°C/Z+20°C	2								Z-55°C/Z+20°C	3							
Rated voltage (V)	6.3	10	16	25	35	50	63	100																					
Impedance ratio Z-25°C/Z+20°C	2																												
Z-55°C/Z+20°C	3																												
6	Endurance (105°C) (Applied ripple current)	<table border="1"> <thead> <tr> <th>Test time</th> <td>5000 hrs (φ5 to φ6.3 2000 hrs, φ8 to φ10 is 3000 hrs)</td> </tr> </thead> <tbody> <tr> <td>Leakage current</td> <td>Initial specified value or less</td> </tr> <tr> <td>Change in capacitance</td> <td>Within ±20% of initial value</td> </tr> <tr> <td>tan δ</td> <td>200% or less of initial specified value</td> </tr> </tbody> </table>	Test time	5000 hrs (φ5 to φ6.3 2000 hrs, φ8 to φ10 is 3000 hrs)	Leakage current	Initial specified value or less	Change in capacitance	Within ±20% of initial value	tan δ	200% or less of initial specified value																			
Test time	5000 hrs (φ5 to φ6.3 2000 hrs, φ8 to φ10 is 3000 hrs)																												
Leakage current	Initial specified value or less																												
Change in capacitance	Within ±20% of initial value																												
tan δ	200% or less of initial specified value																												
7	Max. storage temp. (105°C)	<table border="1"> <thead> <tr> <th>Test time</th> <td>1000 hrs</td> </tr> </thead> <tbody> <tr> <td>Leakage current</td> <td>Initial specified value or less</td> </tr> <tr> <td>Change in capacitance</td> <td>Within ±15% of initial value</td> </tr> <tr> <td>tan δ</td> <td>150% or less of initial specified value</td> </tr> </tbody> </table>	Test time	1000 hrs	Leakage current	Initial specified value or less	Change in capacitance	Within ±15% of initial value	tan δ	150% or less of initial specified value																			
Test time	1000 hrs																												
Leakage current	Initial specified value or less																												
Change in capacitance	Within ±15% of initial value																												
tan δ	150% or less of initial specified value																												
8	Applicable Standards	JIS C 5102 and JIS C5141																											

Coefficients of Frequency for Ripple Current

Capacitance (μF) \ Frequency (Hz)	120	1 k	10 k	100 k
0.47 to 4.7	0.40	0.68	0.78	1
5.6 to 47	0.50	0.76	0.87	1
56 to 270	0.70	0.85	0.90	1
330 to 1000	0.80	0.93	0.98	1
1200 to 15000	0.90	0.95	1	1

Coefficients of Temperature for Ripple Current

Temperature (°C)	+70 or less	+85	+105
Coefficients	1.96	1.68	1

RJH Miniature Aluminum Electrolytic Capacitors

Case size by working voltage & capacitance (in mm)

(mm)

WV(V) Cap.(µF)	6.3	10	16	25	35	50	63	100
0.47						5 x 11.5		
1						5 x 11.5		
2.2						5 x 11.5		
3.3						5 x 11.5		
4.7						5 x 11.5		
5.6								5 x 11.5
8.2								5 x 15
10						5 x 11.5		
12							5 x 11.5	6.3 x 11.5
18						5 x 11.5	5 x 15	6.3 x 15
22								8 x 12
27					5 x 11.5	5 x 15	6.3 x 11.5	10 x 12.5
33								8 x 15 / 10 x 16
39				5 x 11.5	5 x 15	6.3 x 11.5	6.3 x 15	8 x 20
47							8 x 12	
56			5 x 11.5	5 x 15	6.3 x 11.5	6.3 x 15	10 x 12.5	10 x 20
68						8 x 12	8 x 15 / 10 x 16	10 x 25 / 12.5 x 15
82		5 x 11.5	5 x 15	6.3 x 11.5	6.3 x 15	8 x 15 / 10 x 12.5	8 x 20	
100	5 x 11.5	5 x 15				10 x 16		10 x 30 / 12.5 x 20
120			6.3 x 11.5	6.3 x 15	8 x 12	8 x 20	10 x 20	12.5 x 25 / 16 x 15
150	5 x 15				10 x 12.5		10 x 25 / 12.5 x 15	18 x 15
180		6.3 x 11.5	6.3 x 15	8 x 12	8 x 15 / 10 x 16	10 x 20 / 12.5 x 15	10 x 30	12.5 x 30 / 16 x 20
220	6.3 x 11.5	6.3 x 15		8 x 15 / 10 x 12.5	8 x 20	10 x 25	12.5 x 20 / 16 x 15	12.5 x 35 / 16 x 25
270			8 x 12	10 x 16			12.5 x 25	12.5 x 40 / 18 x 20
330	6.3 x 15	8 x 12	8 x 15 / 10 x 12.5	8 x 20	10 x 20 / 12.5 x 15	10x30/12.5x20/16x15	18 x 15	16 x 31.5 / 18 x 25
390			10 x 16		10 x 25		12.5 x 30 / 16 x 20	16 x 35.5 / 18 x 31.5
470	8 x 12	8 x 15 / 10 x 12.5	8 x 20	10 x 20 / 12.5 x 15		12.5 x 25 / 18 x 15	12.5 x 35 / 18 x 20	16 x 40
560		10 x 16		10 x 25	10x30/12.5x20/16x15	12.5 x 30	12.5 x 40 / 18 x 20	18 x 35.5
680	8 x 15 / 10 x 12.5	8 x 20	10 x 20 / 12.5 x 15		12.5 x 25 / 18 x 15	12.5 x 35 / 16 x 20	16 x 31.5 / 18 x 25	18 x 40
820	10 x 16		10 x 25	10x30/12.5x20/16x15		12.5x40/16x25/18x20	16 x 35.5 / 18 x 31.5	
1000	8 x 20	10 x 20 / 12.5 x 15		12.5 x 25	12.5 x 30 / 16 x 20	16 x 31.5 / 18 x 25	16 x 40 / 18 x 35	
1200	10 x 20 / 12.5 x 15	10 x 25	10 x 30 / 12.5 x 20	18 x 15	12.5x35/16x25/18x20	16 x 35.5	18 x 40	
1500	10 x 25	10 x 30	12.5x25/16x15/18x15	12.5 x 30 / 16 x 20	12.5 x 40	16 x 40 / 18 x 31.5		
1600		12.5 x 20						
1800		16 x 15		12.5x35/16x25/18x20	16 x 31.5 / 18 x 25	18 x 35.5		
2200	10 x 30 / 12.5 x 20	12.5 x 25 / 18 x 15	12.5 x 30 / 16 x 20	12.5 x 40	16 x 35.5 / 18 x 31.5	18 x 40		
2700	12.5 x 25 / 16 x 15	12.5 x 30	12.5x35/16x25/18x20	16 x 31.5 / 18 x 25	16 x 40 / 18 x 35.5			
3300	18 x 15	12.5 x 35 / 16 x 20	12.5 x 40	16 x 35.5 / 18 x 31.5	18 x 40			
3900	12.5 x 30	12.5x40/16x25/18x20	16 x 31.5 / 18 x 25	16 x 40 / 18 x 35.5				
4700	12.5 x 35 / 16 x 20	18 x 25	16 x 35.5 / 18 x 31.5	18 x 40				
5600	12.5x40/16x25/18x20	16 x 31.5	16 x 40					
6800	16 x 31.5 / 18 x 25	16 x 35.5 / 18 x 31.5	18 x 35.5					
8200	16 x 31.5	16 x 40 / 18 x 35.5	18 x 40					
10000	18 x 31.5	18 x 40						
12000	16 x 40 / 18 x 35.5							
15000	18 x 40							

Radial Type

RJH

RJH Miniature Aluminum Electrolytic Capacitors

Standard Ratings

ELNA PART NO. / WV (V)	CAP. (μF)	SIZE (φ x L) (mm)	tan δ	IMPEDANCE (Ω)		Rip Cur. (mA _{rms})
				20°C	-10°C	
6.3 V						
RJH-6V101ME3	100	5 x 11.5	0.22	0.65	1.46	175
RJH-6V151ME4	150	5 x 15	0.22	0.46	1.04	235
RJH-6V221MF3	220	6.3 x 11.5	0.22	0.31	0.70	290
RJH-6V331MF4	330	6.3 x 15	0.22	0.20	0.45	400
RJH-6V471MG3	470	8 x 12	0.22	0.17	0.38	488
RJH-6V681MG4	680	8 x 15	0.22	0.13	0.29	617
RJH-6V681MH3	680	10 x 12.5	0.22	0.10	0.23	625
RJH-6V821MH4	820	10 x 16	0.22	0.080	0.18	825
RJH-6V102MG5	1000	8 x 20	0.22	0.095	0.21	800
RJH-6V122MH5	1200	10 x 20	0.22	0.062	0.14	1010
RJH-6V122MI4	1200	12.5 x 15	0.22	0.062	0.14	1010
RJH-6V152MH6	1500	10 x 25	0.22	0.052	0.12	1190
RJH-6V222MH7	2200	10 x 30	0.24	0.044	0.099	1440
RJH-6V222MI5	2200	12.5 x 20	0.24	0.042	0.095	1400
RJH-6V272MI6	2700	12.5 x 25	0.24	0.034	0.076	1690
RJH-6V272MJ4	2700	16 x 15	0.24	0.046	0.10	1310
RJH-6V332MK4	3300	18 x 15	0.26	0.043	0.097	1460
RJH-6V392MI7	3900	12.5 x 30	0.26	0.030	0.068	1950
RJH-6V472MI8	4700	12.5 x 35	0.28	0.024	0.054	2220
RJH-6V472MJ5	4700	16 x 20	0.28	0.034	0.077	1660
RJH-6V562MI9	5600	12.5 x 40	0.30	0.021	0.047	2390
RJH-6V562MJ6	5600	16 x 25	0.30	0.028	0.063	2070
RJH-6V562MK5	5600	18 x 20	0.30	0.030	0.068	1850
RJH-6V682MJ7	6800	16 x 31.5	0.32	0.025	0.056	2350
RJH-6V682MK6	6800	18 x 25	0.32	0.027	0.061	2120
RJH-6V822MJ8	8200	16 x 35.5	0.36	0.022	0.050	2550
RJH-6V103MK7	10000	18 x 31.5	0.38	0.023	0.052	2410
RJH-6V123MJ9	12000	16 x 40	0.42	0.018	0.041	2970
RJH-6V123MK8	12000	18 x 35.5	0.42	0.019	0.043	2680
RJH-6V153MK9	15000	18 x 40	0.48	0.017	0.038	3010
10 V						
RJH-10V820ME3	82	5 x 11.5	0.19	0.65	1.46	175
RJH-10V101ME4	100	5 x 15	0.19	0.46	1.04	235
RJH-10V181MF3	180	6.3 x 11.5	0.19	0.31	0.70	290
RJH-10V221MF4	220	6.3 x 15	0.19	0.20	0.45	400
RJH-10V331MG3	330	8 x 12	0.19	0.17	0.38	488

ELNA PART NO. / WV (V)	CAP. (μF)	SIZE (φ x L) (mm)	tan δ	IMPEDANCE (Ω)		Rip Cur. (mA _{rms})
				20°C	-10°C	
RJH-10V471MG4	470	8 x 15	0.19	0.13	0.29	617
RJH-10V471MH3	470	10 x 12.5	0.19	0.10	0.23	625
RJH-10V561MH4	560	10 x 16	0.19	0.080	0.18	825
RJH-10V681MG5	680	8 x 20	0.19	0.095	0.21	800
RJH-10V102MH5	1000	10 x 20	0.19	0.062	0.14	1010
RJH-10V102MI4	1000	12.5 x 15	0.19	0.062	0.14	1010
RJH-10V122MH6	1200	10 x 25	0.19	0.052	0.12	1190
RJH-10V152MH7	1500	10 x 30	0.19	0.044	0.099	1440
RJH-10V182MI5	1800	12.5 x 20	0.19	0.042	0.095	1400
RJH-10V182MJ4	1800	16 x 15	0.19	0.046	0.10	1310
RJH-10V222MI6	2200	12.5 x 25	0.21	0.034	0.076	1690
RJH-10V222MK4	2200	18 x 15	0.21	0.043	0.097	1460
RJH-10V272MI7	2700	12.5 x 30	0.21	0.030	0.068	1950
RJH-10V332MI8	3300	12.5 x 35	0.23	0.024	0.054	2220
RJH-10V332MJ5	3300	16 x 20	0.23	0.034	0.077	1660
RJH-10V392MI9	3900	12.5 x 40	0.23	0.021	0.047	2390
RJH-10V392MJ6	3900	16 x 25	0.23	0.028	0.063	2070
RJH-10V392MK5	3900	18 x 20	0.23	0.030	0.068	1850
RJH-10V472MK6	4700	18 x 25	0.25	0.027	0.061	2120
RJH-10V562MJ7	5600	16 x 31.5	0.27	0.025	0.056	2350
RJH-10V682MJ8	6800	16 x 35.5	0.29	0.022	0.050	2550
RJH-10V682MK7	6800	18 x 31.5	0.29	0.023	0.052	2410
RJH-10V822MJ9	8200	16 x 40	0.33	0.018	0.041	2970
RJH-10V822MK8	8200	18 x 35.5	0.33	0.019	0.043	2680
RJH-10V103MK9	10000	18 x 40	0.35	0.017	0.038	3010
16 V						
RJH-16V560ME3	56	5 x 11.5	0.16	0.65	1.46	175
RJH-16V820ME4	82	5 x 15	0.16	0.46	1.04	235
RJH-16V121MF3	120	6.3 x 11.5	0.16	0.31	0.70	290
RJH-16V181MF4	180	6.3 x 15	0.16	0.20	0.45	400
RJH-16V271MG3	270	8 x 12	0.16	0.17	0.38	488
RJH-16V331MG4	330	8 x 15	0.16	0.13	0.29	617
RJH-16V331MH3	330	10 x 12.5	0.16	0.10	0.23	625
RJH-16V391MH4	390	10 x 16	0.16	0.080	0.18	825
RJH-16V471MG5	470	8 x 20	0.16	0.095	0.21	800
RJH-16V681MH5	680	10 x 20	0.16	0.062	0.14	1010
RJH-16V681MI4	680	12.5 x 15	0.16	0.062	0.14	1010

Note: Impedance 100 kHz
Allowable Ripple Current 100 kHz at 105°C

RJH Miniature Aluminum Electrolytic Capacitors

Standard Ratings

ELNA PART NO. / WV (V)	CAP. (μF)	SIZE (φ x L) (mm)	tan δ	IMPEDANCE (Ω)		Rip Cur. (mAmps)
				20°C	-10°C	
RJH-16V821MH6	820	10 x 25	0.16	0.052	0.12	1190
RJH-16V122MH7	1200	10 x 30	0.16	0.044	0.099	1440
RJH-16V122MI5	1200	12.5 x 20	0.16	0.042	0.095	1400
RJH-16V152MI6	1500	12.5 x 25	0.16	0.034	0.076	1690
RJH-16V152MJ4	1500	16 x 15	0.16	0.046	0.10	1310
RJH-16V152MK4	1500	18 x 15	0.16	0.043	0.097	1460
RJH-16V222MI7	2200	12.5 x 30	0.18	0.030	0.068	1950
RJH-16V222MJ5	2200	16 x 20	0.18	0.034	0.077	1660
RJH-16V272MI8	2700	12.5 x 35	0.18	0.024	0.054	2200
RJH-16V272MJ6	2700	16 x 25	0.18	0.028	0.063	2070
RJH-16V272MK5	2700	18 x 20	0.18	0.030	0.068	1850
RJH-16V332MI9	3300	12.5 x 40	0.20	0.021	0.047	2390
RJH-16V392MJ7	3900	16 x 31.5	0.20	0.025	0.056	2350
RJH-16V392MK6	3900	18 x 25	0.20	0.027	0.061	2120
RJH-16V472MJ8	4700	16 x 35.5	0.22	0.022	0.050	2550
RJH-16V472MK7	4700	18 x 31.5	0.22	0.023	0.052	2410
RJH-16V562MJ9	5600	16 x 40	0.24	0.018	0.041	2970
RJH-16V682MK8	6800	18 x 35.5	0.26	0.019	0.043	2680
RJH-16V822MK9	8200	18 x 40	0.30	0.017	0.038	3010
25 V						
RJH-25V390ME3	39	5 x 11.5	0.14	0.65	1.46	175
RJH-25V560ME4	56	5 x 15	0.14	0.46	1.04	235
RJH-25V820MF3	82	6.3 x 11.5	0.14	0.31	0.70	290
RJH-25V121MF4	120	6.3 x 15	0.14	0.20	0.45	400
RJH-25V181MG3	180	8 x 12	0.14	0.17	0.38	488
RJH-25V221MG4	220	8 x 15	0.14	0.13	0.29	617
RJH-25V221MH3	220	10 x 12.5	0.14	0.10	0.23	625
RJH-25V271MH4	270	10 x 16	0.14	0.080	0.18	825
RJH-25V331MG5	330	8 x 20	0.14	0.095	0.21	800
RJH-25V471MH5	470	10 x 20	0.14	0.062	0.14	1010
RJH-25V471MI4	470	12.5 x 15	0.14	0.062	0.14	1010
RJH-25V561MH6	560	10 x 25	0.14	0.052	0.12	1190
RJH-25V821MH7	820	10 x 30	0.14	0.044	0.099	1440
RJH-25V821MI5	820	12.5 x 20	0.14	0.042	0.095	1400
RJH-25V821MJ4	820	16 x 15	0.14	0.046	0.10	1310
RJH-25V102MI6	1000	12.5 x 25	0.14	0.034	0.076	1690
RJH-25V122MK4	1200	18 x 15	0.14	0.043	0.097	1460

ELNA PART NO. / WV (V)	CAP. (μF)	SIZE (φ x L) (mm)	tan δ	IMPEDANCE (Ω)		Rip Cur. (mAmps)
				20°C	-10°C	
RJH-25V152MI7	1500	12.5 x 30	0.14	0.030	0.068	1950
RJH-25V152MJ5	1500	16 x 20	0.14	0.034	0.077	1660
RJH-25V182MI8	1800	12.5 x 35	0.14	0.024	0.054	2200
RJH-25V182MJ6	1800	16 x 25	0.14	0.028	0.063	2070
RJH-25V182MK5	1800	18 x 20	0.14	0.030	0.068	1850
RJH-25V222MI9	2200	12.5 x 40	0.16	0.021	0.047	2390
RJH-25V272MJ7	2700	16 x 31.5	0.16	0.025	0.056	2350
RJH-25V272MK6	2700	18 x 25	0.16	0.027	0.061	2120
RJH-25V332MJ8	3300	16 x 35.5	0.18	0.022	0.050	2550
RJH-25V332MK7	3300	18 x 31.5	0.18	0.023	0.052	2410
RJH-25V392MJ9	3900	16 x 40	0.18	0.018	0.041	2970
RJH-25V392MK8	3900	18 x 35.5	0.18	0.019	0.043	2680
RJH-25V472MK9	4700	18 x 40	0.20	0.017	0.038	3010
35 V						
RJH-35V270ME3	27	5 x 11.5	0.12	0.65	1.46	175
RJH-35V390ME4	39	5 x 15	0.12	0.46	1.04	235
RJH-35V560MF3	56	6.3 x 11.5	0.12	0.31	0.70	290
RJH-35V820MF4	82	6.3 x 15	0.12	0.20	0.45	400
RJH-35V121MG3	120	8 x 12	0.12	0.17	0.38	488
RJH-35V151MH3	150	10 x 12.5	0.12	0.10	0.23	625
RJH-35V181MG4	180	8 x 15	0.12	0.13	0.29	617
RJH-35V181MH4	180	10 x 16	0.12	0.080	0.18	825
RJH-35V221MG5	220	8 x 20	0.12	0.095	0.21	800
RJH-35V331MH5	330	10 x 20	0.12	0.062	0.14	1010
RJH-35V331MI4	330	12.5 x 15	0.12	0.062	0.14	1010
RJH-35V391MH6	390	10 x 25	0.12	0.052	0.12	1190
RJH-35V561MH7	560	10 x 30	0.12	0.044	0.099	1440
RJH-35V561MI5	560	12.5 x 20	0.12	0.042	0.095	1400
RJH-35V561MJ4	560	16 x 15	0.12	0.046	0.10	1310
RJH-35V681MI6	680	12.5 x 25	0.12	0.034	0.076	1690
RJH-35V681MK4	680	18 x 15	0.12	0.043	0.097	1460
RJH-35V102MI7	1000	12.5 x 30	0.12	0.030	0.068	1950
RJH-35V102MJ5	1000	16 x 20	0.12	0.034	0.077	1660
RJH-35V122MI8	1200	12.5 x 35	0.12	0.024	0.054	2200
RJH-35V122MJ6	1200	16 x 25	0.12	0.028	0.063	2070
RJH-35V122MK5	1200	18 x 20	0.12	0.030	0.068	1850
RJH-35V152MI9	1500	12.5 x 40	0.12	0.021	0.047	2390

Note: Impedance 100 kHz
Allowable Ripple Current 100 kHz at 105°C

Radial Type
RJH

RJH Miniature Aluminum Electrolytic Capacitors

Standard Ratings

ELNA PART NO. / WV (V)	CAP. (µF)	SIZE (Ø x L) (mm)	tan δ	IMPEDANCE (Ω)		Rip Cur. (mA _{RMS})
				20°C	-10°C	
RJH-35V182MJ7	1800	16 x 31.5	0.12	0.025	0.056	2350
RJH-35V182MK6	1800	18 x 25	0.12	0.027	0.061	2120
RJH-35V222MJ8	2200	16 x 35.5	0.14	0.022	0.050	2550
RJH-35V222MK7	2200	18 x 31.5	0.14	0.023	0.052	2410
RJH-35V272MJ9	2700	16 x 40	0.14	0.018	0.041	2970
RJH-35V272MK8	2700	18 x 35.5	0.14	0.019	0.043	2680
RJH-35V332MK9	3300	18 x 40	0.16	0.017	0.038	3010
50 V						
RJH-50VR47ME3	0.47	5 x 11.5	0.10	3.9	7.8	22
RJH-50V010ME3	1	5 x 11.5	0.10	3.5	7.0	36
RJH-50V2R2ME3	2.2	5 x 11.5	0.10	3.0	6.0	54
RJH-50V3R3ME3	3.3	5 x 11.5	0.10	2.6	5.2	63
RJH-50V4R7ME3	4.7	5 x 11.5	0.10	2.2	4.4	75
RJH-50V100ME3	10	5 x 11.5	0.10	1.4	2.8	110
RJH-50V180ME3	18	5 x 11.5	0.10	0.95	1.9	120
RJH-50V270ME4	27	5 x 15	0.10	0.66	1.32	135
RJH-50V390MF3	39	6.3 x 11.5	0.10	0.43	0.86	148
RJH-50V560MF4	56	6.3 x 15	0.10	0.33	0.66	153
RJH-50V680MG3	68	8 x 12	0.10	0.20	0.40	360
RJH-50V820MG4	82	8 x 15	0.10	0.18	0.36	460
RJH-50V820MH3	82	10 x 12.5	0.10	0.18	0.36	443
RJH-50V101MH4	100	10 x 16	0.10	0.15	0.30	553
RJH-50V121MG5	120	8 x 20	0.10	0.13	0.26	670
RJH-50V181MH5	180	10 x 20	0.10	0.085	0.17	676
RJH-50V181MI4	180	12.5 x 15	0.10	0.095	0.19	745
RJH-50V221MH6	220	10 x 25	0.10	0.075	0.15	876
RJH-50V331MH7	330	10 x 30	0.10	0.055	0.11	1010
RJH-50V331MI5	330	12.5 x 20	0.10	0.060	0.12	979
RJH-50V331MJ4	330	16 x 15	0.10	0.065	0.13	982
RJH-50V471MI6	470	12.5 x 25	0.10	0.044	0.088	1180
RJH-50V471MK4	470	18 x 15	0.10	0.048	0.096	1180
RJH-50V561MI7	560	12.5 x 30	0.10	0.040	0.080	1310
RJH-50V681MI8	680	12.5 x 35	0.10	0.036	0.072	1470
RJH-50V681MJ5	680	16 x 20	0.10	0.045	0.090	1210
RJH-50V821MI9	820	12.5 x 40	0.10	0.034	0.068	1590
RJH-50V821MJ6	820	16 x 25	0.10	0.038	0.076	1490
RJH-50V821MK5	820	18 x 20	0.10	0.036	0.072	1450

ELNA PART NO. / WV (V)	CAP. (µF)	SIZE (Ø x L) (mm)	tan δ	IMPEDANCE (Ω)		Rip Cur. (mA _{RMS})
				20°C	-10°C	
RJH-50V102MJ7	1000	16 x 31.5	0.10	0.032	0.064	1890
RJH-50V102MK6	1000	18 x 25	0.10	0.032	0.064	1720
RJH-50V122MJ8	1200	16 x 35.5	0.10	0.028	0.056	2140
RJH-50V152MJ9	1500	16 x 40	0.10	0.026	0.052	2410
RJH-50V152MK7	1500	18 x 31.5	0.10	0.026	0.052	1970
RJH-50V182MK8	1800	18 x 35.5	0.10	0.025	0.050	2310
RJH-50V222MK9	2200	18 x 40	0.12	0.024	0.048	2530
63 V						
RJH-63V120ME3	12	5 x 11.5	0.08	1.2	3.6	120
RJH-63V180ME4	18	5 x 15	0.08	0.85	2.6	135
RJH-63V270MF3	27	6.3 x 11.5	0.08	0.55	1.7	148
RJH-63V390MF4	39	6.3 x 15	0.08	0.38	1.1	153
RJH-63V470MG3	47	8 x 12	0.08	0.32	0.96	360
RJH-63V560MH3	56	10 x 12.5	0.08	0.23	0.69	448
RJH-63V680MG4	68	8 x 15	0.08	0.24	0.72	469
RJH-63V680MH4	68	10 x 16	0.08	0.17	0.51	553
RJH-63V820MG5	82	8 x 20	0.08	0.17	0.51	682
RJH-63V121MH5	120	10 x 20	0.08	0.12	0.36	676
RJH-63V151MH6	150	10 x 25	0.08	0.10	0.30	876
RJH-63V151MI4	150	12.5 x 15	0.08	0.11	0.33	745
RJH-63V181MH7	180	10 x 30	0.08	0.085	0.26	1020
RJH-63V221MI5	220	12.5 x 20	0.08	0.075	0.23	979
RJH-63V221MJ4	220	16 x 15	0.08	0.080	0.24	982
RJH-63V271MI6	270	12.5 x 25	0.08	0.065	0.20	1180
RJH-63V331MK4	330	18 x 15	0.08	0.065	0.20	1200
RJH-63V391MI7	390	12.5 x 30	0.08	0.055	0.17	1310
RJH-63V391MJ5	390	16 x 20	0.08	0.057	0.17	1210
RJH-63V471MI8	470	12.5 x 35	0.08	0.048	0.14	1470
RJH-63V471MJ6	470	16 x 25	0.08	0.052	0.16	1490
RJH-63V471MK5	470	18 x 20	0.08	0.058	0.17	1460
RJH-63V561MI9	560	12.5 x 40	0.08	0.042	0.13	1590
RJH-63V681MJ7	680	16 x 31.5	0.08	0.042	0.13	1890
RJH-63V681MK6	680	18 x 25	0.08	0.050	0.15	1740
RJH-63V821MJ8	820	16 x 35.5	0.08	0.036	0.11	2140
RJH-63V821MK7	820	18 x 31.5	0.08	0.042	0.13	1990
RJH-63V102MJ9	1000	16 x 40	0.08	0.032	0.096	2410
RJH-63V102MK8	1000	18 x 35.5	0.08	0.035	0.11	2340

Note: Impedance 100 kHz
Allowable Ripple Current 100 kHz at 105°C

RJH Miniature Aluminum Electrolytic Capacitors

Standard Ratings

ELNA PART NO. / WV (V)	CAP. (µF)	SIZE (φx L) (mm)	tan δ	IMPEDANCE (Ω)		Rip Cur. (mAmps)
				20°C	-10°C	
RJH-63V122MK9	1200	18 x 40	0.08	0.032	0.096	2560
100 V						
RJH-100V5R6ME3	5.6	5 x 11.5	0.07	1.9	7.6	57
RJH-100V8R2ME4	8.2	5 x 15	0.07	1.3	5.2	74
RJH-100V120MF3	12	6.3 x 11.5	0.07	1.1	4.4	78
RJH-100V180MF4	18	6.3 x 15	0.07	0.62	2.5	85
RJH-100V220MG3	22	8 x 12	0.07	0.53	2.1	275
RJH-100V270MH3	27	10 x 12.5	0.07	0.47	1.9	319
RJH-100V330MG4	33	8 x 15	0.07	0.35	1.4	360
RJH-100V330MH4	33	10 x 16	0.07	0.32	1.3	424
RJH-100V390MG5	39	8 x 20	0.07	0.27	1.1	490
RJH-100V560MH5	56	10 x 20	0.07	0.25	1.0	499
RJH-100V680MH6	68	10 x 25	0.07	0.18	0.72	634
RJH-100V680MI4	68	12.5 x 15	0.07	0.20	0.80	613
RJH-100V101MH7	100	10 x 30	0.07	0.15	0.60	739
RJH-100V101MI5	100	12.5 x 20	0.07	0.13	0.52	805
RJH-100V121MI6	120	12.5 x 25	0.07	0.11	0.44	857
RJH-100V121MJ4	120	16 x 15	0.07	0.13	0.52	706
RJH-100V151MK4	150	18 x 15	0.07	0.12	0.48	871
RJH-100V181MI7	180	12.5 x 30	0.07	0.090	0.36	1120
RJH-100V181MJ5	180	16 x 20	0.07	0.11	0.44	916
RJH-100V221MI8	220	12.5 x 35	0.07	0.075	0.30	1240
RJH-100V221MJ6	220	16 x 25	0.07	0.081	0.32	1290
RJH-100V271MI9	270	12.5 x 40	0.07	0.060	0.24	1330
RJH-100V271MK5	270	18 x 20	0.07	0.085	0.34	1170
RJH-100V331MJ7	330	16 x 31.5	0.07	0.059	0.23	1630
RJH-100V331MK6	330	18 x 25	0.07	0.071	0.28	1500
RJH-100V391MJ8	390	16 x 35.5	0.07	0.052	0.21	1750
RJH-100V391MK7	390	18 x 31.5	0.07	0.058	0.23	1630
RJH-100V471MJ9	470	16 x 40	0.07	0.045	0.18	1920
RJH-100V561MK8	560	18 x 35.5	0.07	0.054	0.22	1920
RJH-100V681MK9	680	18 x 40	0.07	0.041	0.16	2100

Note: Impedance 100 kHz
Allowable Ripple Current 100 kHz at 105°C