

FEATURES

- Lowpass Filter with No DC Error
- Low Passband Noise
- Operates DC to 20kHz
- Operates on a Single 5V Supply or Up to $\pm 8V$
- 5th Order Filter
- Maximally Flat Response
- Internal or External Clock
- Cascadable for Faster Roll-off
- Buffer Available
- 8 Pin DIP Package

APPLICATIONS

- 60Hz Lowpass Filters
- Anti-Aliasing Filter
- Low Level Filtering
- Rolling Off AC Signals from High DC Voltages
- Digital Voltmeters
- Scales
- Strain Gauges

DESCRIPTION

The LTC1062 is a 5th order all pole maximally flat lowpass filter with no DC error. Its unusual architecture puts the filter outside the DC path so DC offset and low frequency noise problems are eliminated. This makes the LTC1062 very useful for lowpass filters where DC accuracy is important.

The filter input and output are simultaneously taken across an external resistor. The LTC1062 is coupled to the signal through an external capacitor. This R,C reacts with the internal switched capacitor network to form a 5th order rolloff at the output.

The filter cutoff frequency is set by an internal clock which can be externally driven. The clock to cutoff frequency ratio is typically 100:1, allowing the clock ripple to be easily removed.

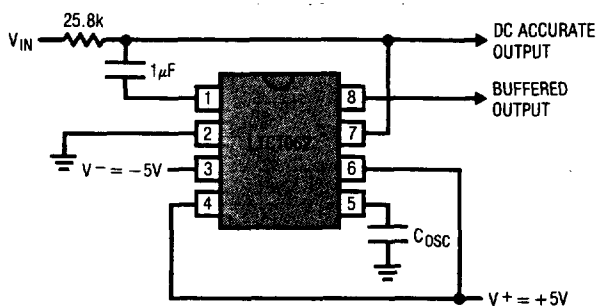
Two LTC1062s can be cascaded to form a 10th order quasi max flat lowpass filter. The device can be operated with single or dual supplies ranging from $\pm 2.5V$ to $\pm 9V$.

The LTC1062 is manufactured using Linear Technology's enhanced LTCMOS™ silicon gate process.

LTCMOS™ is a trademark of Linear Technology Corp.

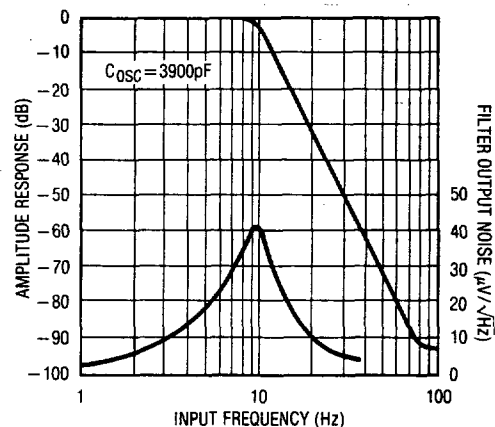
TYPICAL APPLICATION

10Hz 5th Order Butterworth Lowpass Filter



NOTE: TO ADJUST OSCILLATOR FREQUENCY, USE A 6800pF CAPACITOR IN SERIES WITH A 50K POT FROM PIN 5 TO GROUND.

Filter Amplitude Response and Noise



LTC1062

ABSOLUTE MAXIMUM RATINGS

Total Supply Voltage (V^+ to V^-) 18V
 Input Voltage at Any Pin $V^- - 0.3V \leq V_{IN} \leq V^+ + 0.3V$
 Lead Temperature (Soldering, 10 sec) 300°C

Operating Temperature Range
 LTC1062M $-55^\circ\text{C} \leq T_A \leq 125^\circ\text{C}$
 LTC1062C $-40^\circ\text{C} \leq T_A \leq 85^\circ\text{C}$
 Storage Temperature Range -65°C to 150°C

PACKAGE/ORDER INFORMATION

| | | | |
|---|--|--|-------------------|
| <p>J8 PACKAGE 8-LEAD HERMETIC DIP</p> <p>N8 PACKAGE 8-LEAD PLASTIC DIP</p> <p>S PACKAGE 16-LEAD PLASTIC SOL</p> <p>$T_{JMAX} = 150^\circ\text{C}$, $\theta_{JA} = 100^\circ\text{C/W}$ (J) $T_{JMAX} = 100^\circ\text{C}$, $\theta_{JA} = 130^\circ\text{C/W}$ (N) $T_{JMAX} = 150^\circ\text{C}$, $\theta_{JA} = 90^\circ\text{C/W}$</p> | ORDER PART NUMBER | <p>TOP VIEW</p> <p>S PACKAGE 16-LEAD PLASTIC SOL</p> <p>$T_{JMAX} = 150^\circ\text{C}$, $\theta_{JA} = 90^\circ\text{C/W}$</p> | ORDER PART NUMBER |
| | LTC1062MJ8 LTC1062CJ8 LTC1062CN8 | | LTC1062CS |
| | | | PART MARKING |
| | | | LTC1062CS |

Consult factory for Industrial grade parts.

ELECTRICAL CHARACTERISTICS

Test Conditions: $V^+ = 5V$, $V^- = -5V$, $T_A = 25^\circ\text{C}$ unless otherwise specified, AC output measured at pin 7, Figure 1.

| PARAMETER | CONDITIONS | MIN | TYP | MAX | UNITS |
|--|---|-----|----------|---------|-------------------|
| Power Supply Current | C_{OSC} (Pin 5 to V^- , Pin 11 in S16) = 100pF | | 4.5 | 7 10 | mA mA |
| Input Frequency Range | | | 0k - 20k | | Hz |
| Filter Gain at $f_{IN} = 0$ | $f_{CLK} = 100\text{kHz}$, Pin 4, (Pin 6 in S16) at V^+ $C = 0.01\mu\text{F}$, $R = 25.78\text{k}$ | | 0.00 | | dB |
| $f_{IN} = 0.5f_C$ (Note1) | | | -0.02 | -0.3 | dB |
| $f_{IN} = f_C$ | | ● | -2 | -3.00 | dB |
| $f_{IN} = 2f_C$ | | ● | -28 | -30.00 | dB |
| $f_{IN} = 4f_C$ | | ● | -52 | -60.00 | dB |
| Clock to Cutoff Frequency Ratio, f_{CLK}/f_C | Same as above | | 100 ± 1 | | % |
| Filter Gain at $f_{IN} = 16\text{kHz}$ | $f_{CLK} = 400\text{kHz}$, Pin 4 at V^+ $C = 0.01\mu\text{F}$, $R = 6.5\text{k}$ | ● | -45 | -52 | dB |
| f_{CLK}/f_C Tempco | Same as above | | 10 | | ppm/°C |
| Filter Output (Pin 7, Pin 13 in S16) DC Swing | Pin 7 buffered with an external op amp | ● | ±3.5 | ±3.8 | V |
| Clock Feedthrough | | | 1 | | mV _{P-P} |
| Internal Buffer | | | | | |
| Bias Current | | | 2 | 50 | pA |
| Bias Current | ● | | 170 | 1000 | pA |
| Offset Voltage | | | 2 | 20 | mV |
| Voltage Swing | $R_{LOAD} = 20\text{k}$ | ● | ±3.5 | ±3.8 | V |
| Short-Circuit Current Source/Sink | | | 40/3 | | mA |

ELECTRICAL CHARACTERISTICS

Test Conditions: $V^+ = 5V$, $V^- = -5V$, $T_A = 25^\circ C$ unless otherwise specified, AC output measured at pin 7, Figure 1.

| PARAMETER | CONDITIONS | MIN | TYP | MAX | UNITS |
|--|--|-----|-----|-----|---------|
| Clock (Note 3) | | | | | |
| Internal Oscillator Frequency | C_{OSC} (Pin 5 to V^- , Pin 11 in S16) = 100pF | 25 | 32 | 50 | kHz |
| | C_{OSC} (Pin 5 to V^- , Pin 11 in S16) = 100pF ● | 15 | | 65 | kHz |
| Max Clock Frequency | | | 4 | | MHz |
| Pin 5 (Pin 11 in S16) Source or Sink Current | ● | | 40 | 80 | μA |

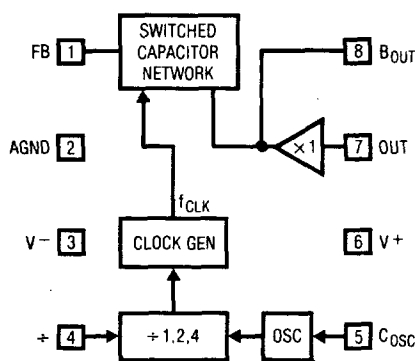
The ● denotes specifications which apply over the full operating temperature range.

Note 1: f_C is the frequency where the gain is $-3dB$ with respect to the input signal.

Note 2: The LTC1062M operates from $-55^\circ C \leq T_A \leq 125^\circ C$, the LTC1062C operates from $-40^\circ C \leq T_A \leq 85^\circ C$.

Note 3: The external or driven clock frequency is divided by either 1, 2, or 4 depending upon the voltage at pin 4. For the J8, N8 package, when pin 4 = V^+ , ratio = 1; when pin 4 = GND, ratio = 2; when pin 4 = V^- , ratio = 4.

BLOCK DIAGRAM (J8 or N8 package)

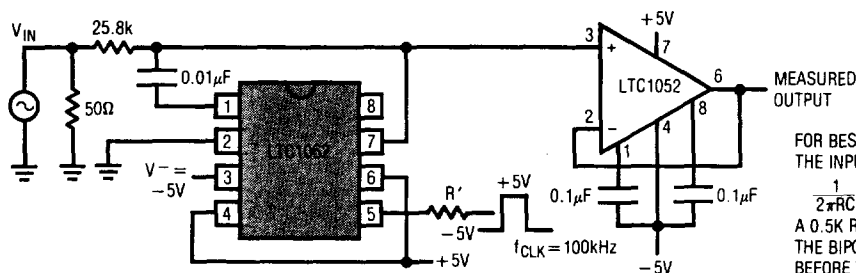


BY CONNECTING PIN 4 TO V^+ , AGND, OR V^- , THE OUTPUT FREQUENCY OF THE INTERNAL CLOCK GENERATOR IS THE OSCILLATOR FREQUENCY DIVIDED BY 1, 2, 4. THE (f_{CLK}/f_C) RATIO OF 100:1 IS WITH RESPECT TO THE INTERNAL CLOCK GENERATOR OUTPUT FREQUENCY. PIN 5 CAN BE DRIVEN WITH AN EXTERNAL CMOS LEVEL CLOCK. THE LTC1062 CAN ALSO BE SELF-CLOCKED BY CONNECTING AN EXTERNAL CAPACITOR (C_{OSC}) TO GROUND (OR TO V^- IF C_{OSC} IS POLARIZED). UNDER THIS CONDITION AND WITH $\pm 5V$ SUPPLIES, THE INTERNAL OSCILLATOR FREQUENCY IS:

$$f_{osc} = 140kHz [33pF / (33pF + C_{OSC})]$$

For Adjusting Oscillator Frequency, Insert a 50K Pot in Series with C_{OSC} . Use Two Times Calculated C_{OSC} .

AC TEST CIRCUIT



FOR BEST MAX. FLAT APPROXIMATION, THE INPUT R,C SHOULD BE SUCH AS:

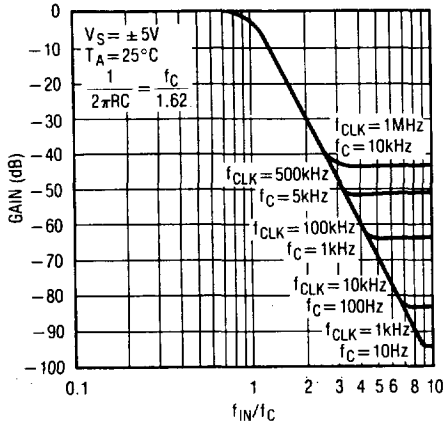
$$\frac{1}{2\pi RC} = f_{CLK} \times 1.63$$

A 0.5K RESISTOR, R' , SHOULD BE USED IF THE BIPOLAR EXTERNAL CLOCK IS APPLIED BEFORE THE POWER SUPPLIES TURN ON.

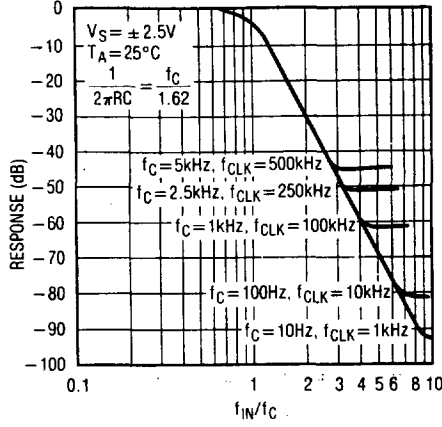
Figure 1.

TYPICAL PERFORMANCE CHARACTERISTICS

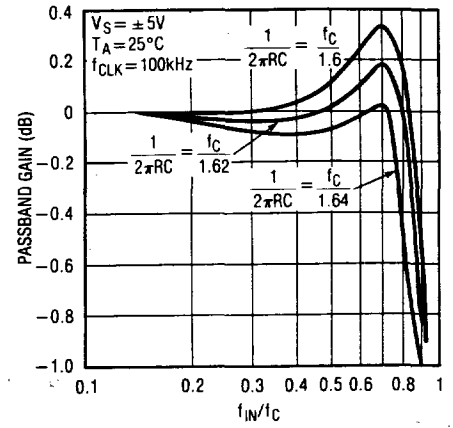
Amplitude Response Normalized to the Cutoff Frequency



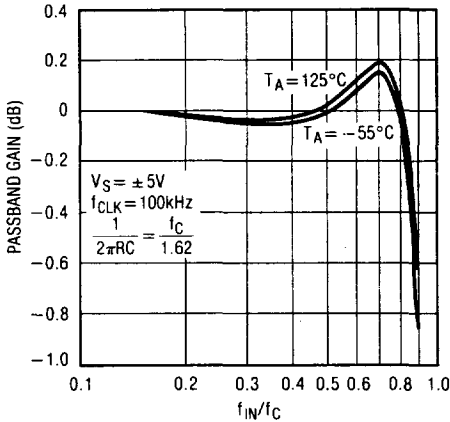
Amplitude Response Normalized to the Cutoff Frequency



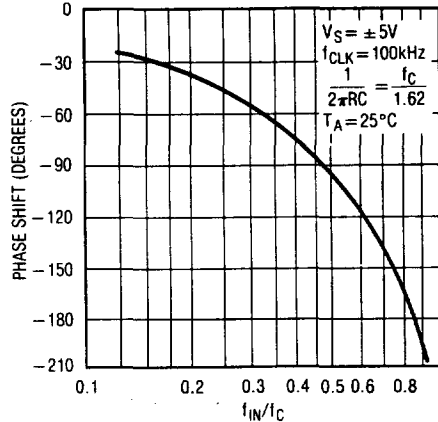
Passband Gain vs Input Frequency



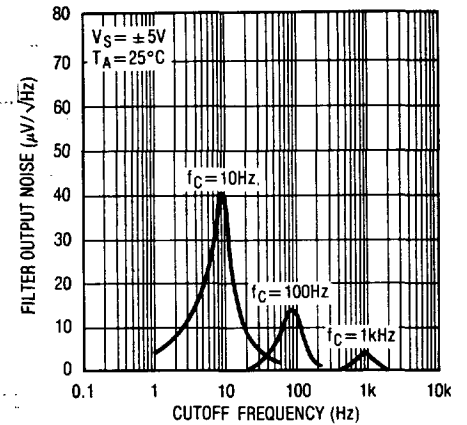
Passband Gain vs Input Frequency



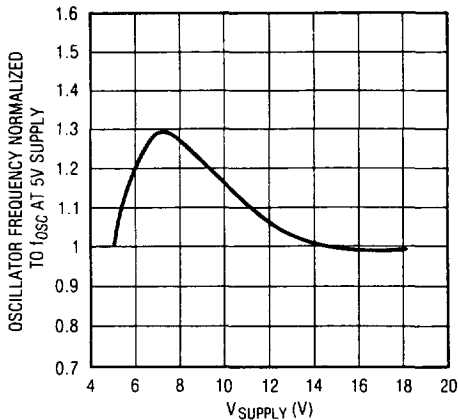
Passband Phase Shift vs Input Frequency



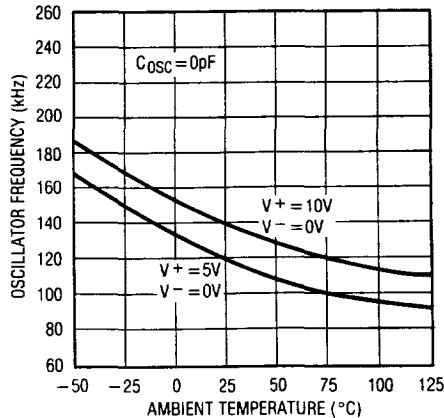
Filter Noise Spectral Density



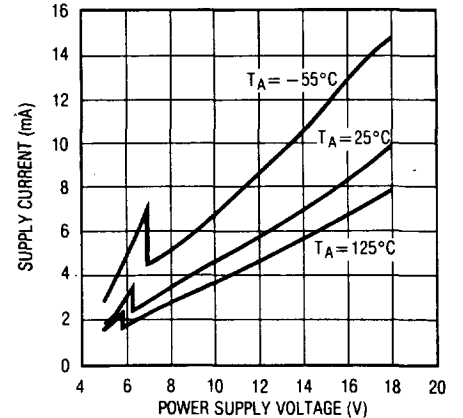
Normalized Oscillator Frequency, f_osc vs Supply Voltage



Oscillator Frequency, f_osc vs Ambient Temperature



Power Supply Current vs Power Supply Voltage



APPLICATIONS INFORMATION

Filter Input Voltage Range

Every node of the LTC1062 typically swings within 1V of either voltage supply, positive or negative. With the appropriate external (R,C) values, the amplitude response of all the internal or external nodes does not exceed a gain of 0 dB with the exception of pin 1. The amplitude response of the feedback node (pin 1) is shown in Figure 2. For an input frequency around $0.8 \times f_c$, the gain is 1.7 V/V and, with $\pm 5V$ supplies, the peak-to-peak input voltage should not exceed 4.7V. If the input voltage goes beyond this value, clipping and distortion of the output waveform occur, but the filter will not get damaged nor will it oscillate. Also, the absolute maximum input voltage should not exceed the power supplies.

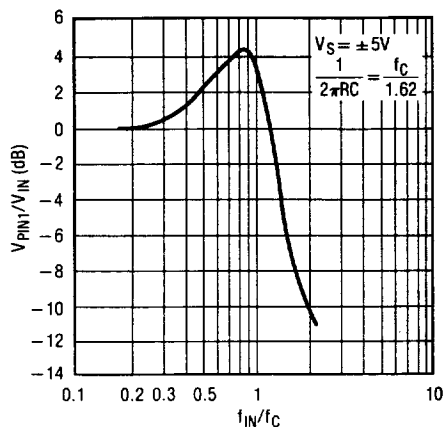


Figure 2. Amplitude Response of Pin 1

Internal Buffer

The internal buffer out (pin 8) and pin 1 are part of the signal AC path. Excessive capacitive loading will cause gain errors in the passband, especially around the cutoff frequency. The internal buffer gain at DC is typically 0.006dB. The internal buffer output can be used as a filter output, however it has a few millivolts of DC offset. The temperature coefficient of the internal buffer is typically $1\mu V/^\circ C$.

Filter Attenuation

The LTC1062 rolloff is typically 30dB/octave. When the clock, and the cutoff frequencies increase, the filter's maximum attenuation decreases. This is shown in the Typical Performance Characteristics. The decrease of the maximum attenuation, is due to the roll off at higher frequencies of the loop gains of the various internal feedback paths and not to the increase of the noise floor. For instance, for a 100kHz clock and 1kHz cutoff frequency, the maximum attenuation is about 64dB. A 4kHz, 1Vrms input signal will be predictably attenuated by 60dB at the output. A 6kHz, 1Vrms input signal will be attenuated by 64dB and not by 77dB as an ideal 5th order maximum flat filter would have dictated. The LTC1062 output at 6kHz will be about $630\mu V_{rms}$. The measured rms noise from DC to 17kHz was $100\mu V_{rms}$ which is 16dB below the filter output.

C_{OSC}, Pin 5

The C_{OSC}, pin 5, can be used with an external capacitor, C_{OSC}, connected from pin 5 to ground. If C_{OSC} is polarized it should be connected from pin 5 to the negative supply, pin 3. C_{OSC} lowers the internal oscillator frequency. If pin 5 is floating, an internal 33pF capacitor plus the external interpin capacitance set the oscillator frequency around 140kHz with $\pm 5V$ supply. An external C_{OSC} will bring the oscillator frequency down by the ratio $(33pF)/(33pF + C_{OSC})$. The typical performance characteristics curves provide the necessary information to get the internal oscillator frequency for various power supply ranges. Pin 5 can also be driven with an external CMOS clock to override the internal oscillator. Although standard 7400 series CMOS gates do not guarantee CMOS levels with the current source and sink requirements of pin 5, they will, in reality, drive the C_{OSC} pin. CMOS gates conforming to standard B series output drive have the appropriate voltage levels and more than enough output current to simultaneously drive several LTC1062 C_{OSC} pins. The typical trip levels of the internal Schmitt trigger which input is pin 5, are given below.

| V SUPPLY | V _{th} + | V _{th} - |
|----------|-------------------|-------------------|
| ±2.5V | +0.9V | -1V |
| ±5V | +1.3V | -2.1V |
| ±6V | +1.7V | -2.5V |
| ±7V | +1.75V | -2.9V |

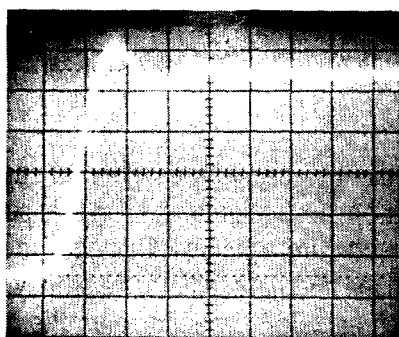
APPLICATIONS INFORMATION

Divide By 1, 2, 4 (Pin 4)

By connecting pin 4 to V^+ , to mid supplies or to V^- , the clock frequency driving the internal switched capacitor network is the oscillator frequency divided by 1, 2, 4, respectively. Note that the f_{CLK}/f_C ratio of 100:1 is with respect to the internal clock generator output frequency. The internal divider is useful for applications where octave tuning is required. The ± 2 threshold is typically $\pm 1V$ from the mid supply voltage.

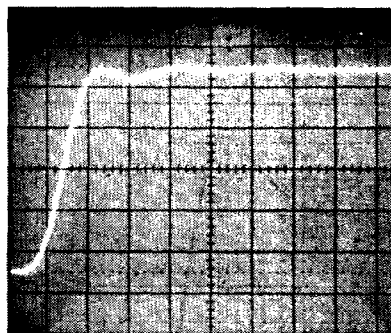
Transient Response

Figure 3 shows the LTC1062 response to a 1V input step.

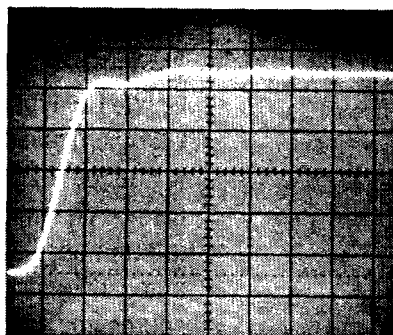


200mV/VERT DIV
50ms/HORIZ DIV, $f_C = 10\text{Hz}$
5ms/HORIZ DIV, $f_C = 100\text{Hz}$
0.5ms/HORIZ DIV, $f_C = 1\text{kHz}$

$$\frac{1}{2\pi RC} = \frac{f_C}{1.62}$$



$$\frac{1}{2\pi RC} = \frac{f_C}{1.94}$$



$$\frac{1}{2\pi RC} = \frac{f_C}{2.11}$$

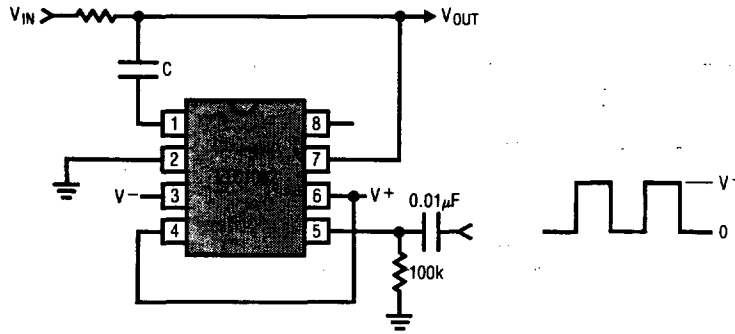
Figure 3. Step Response to a 1V Peak Input Step

Table 1

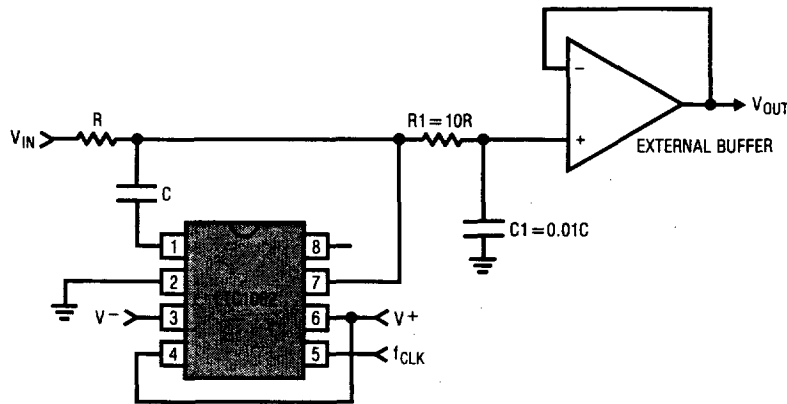
| NOISE BW | rms NOISE $V_S = \pm 5V$ |
|------------------------|-----------------------------|
| DC - $0.1 \times f_C$ | $2\mu V$ |
| DC - $0.25 \times f_C$ | $8\mu V$ |
| DC - $0.5 \times f_C$ | $20\mu V$ |
| DC - $1 \times f_C$ | $62\mu V$ |
| DC - $2 \times f_C$ | $100\mu V$ |

TYPICAL APPLICATIONS

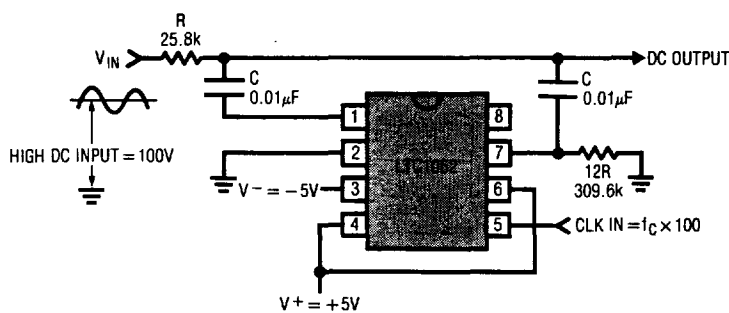
AC Coupling an External CMOS Clock Powered from a Single Positive Supply, V+



Adding an External (R1, C1) to Eliminate the Clock Feedthrough and to Improve the High Frequency Attenuation Floor

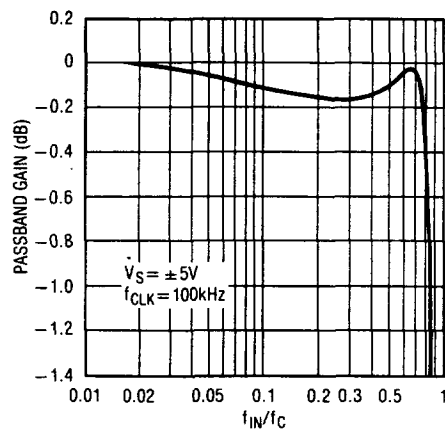


Filtering AC Signals from High DC Voltages



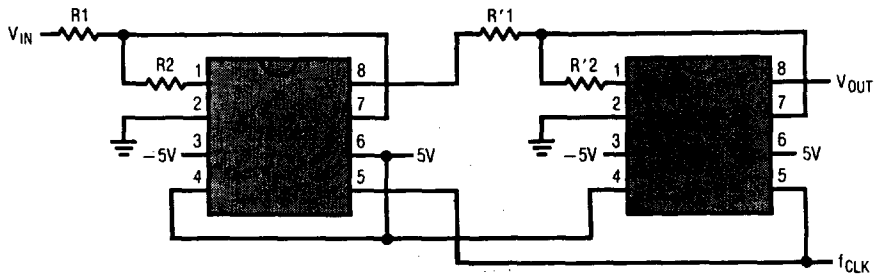
EX: $f_{CLK} = 100kHz$, $f_C = 1kHz$. THE FILTER ACCURATELY PASSES THE HIGH DC INPUT AND ACTS AS 5th ORDER LP FILTER FOR THE AC SIGNALS RIDING ON THE DC.

Passband Amplitude Response for the High DC Accurate 5th Order Filter



TYPICAL APPLICATIONS

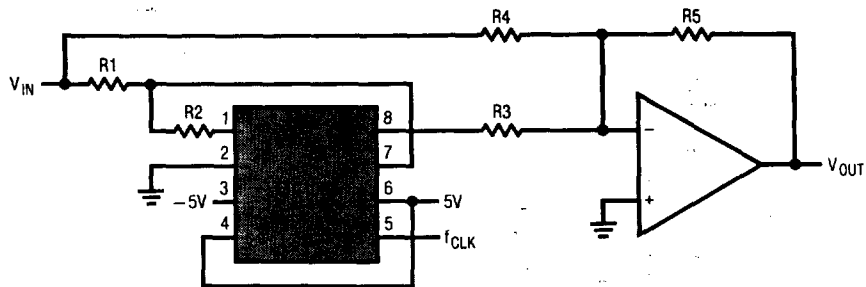
Cascading Two LTC1062s to Form a Very Selective Clock Sweepable Bandpass Filter



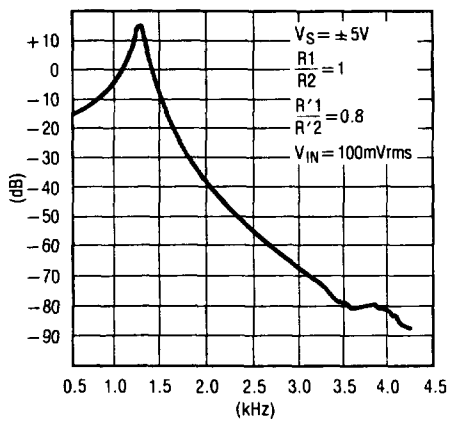
R1 = 10k, R2 = 10k
R'1 = 10k, R'2 = 12.5k

Clock Tunable Notch Filter
For simplicity use R3 = R4 = R5 = 10k;

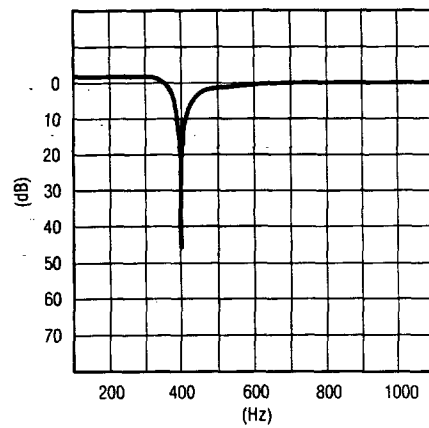
$$\frac{R1}{R2} = 1.234, \frac{f_{CLK}}{f_{notch}} = \frac{79.3}{1}$$



Frequency Response of the Bandpass Filter

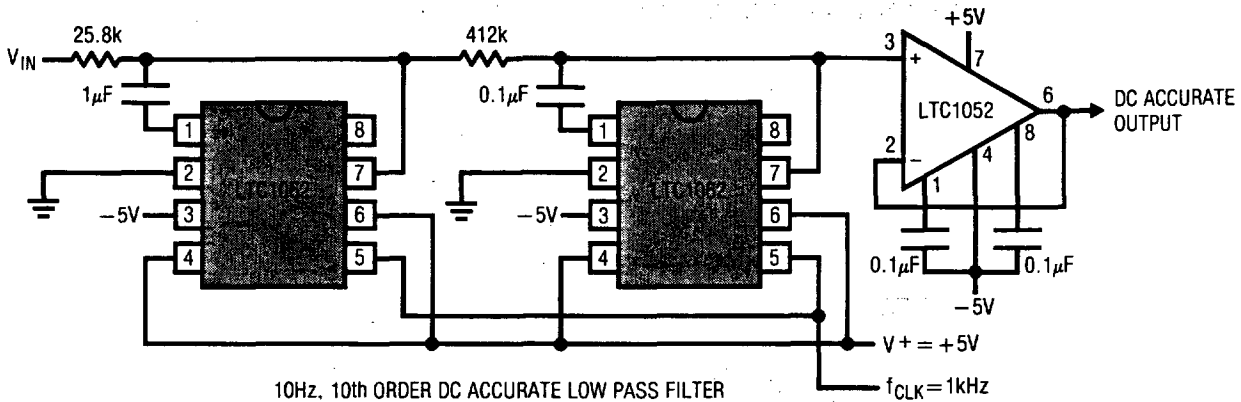


Frequency Response of the Notch Filter



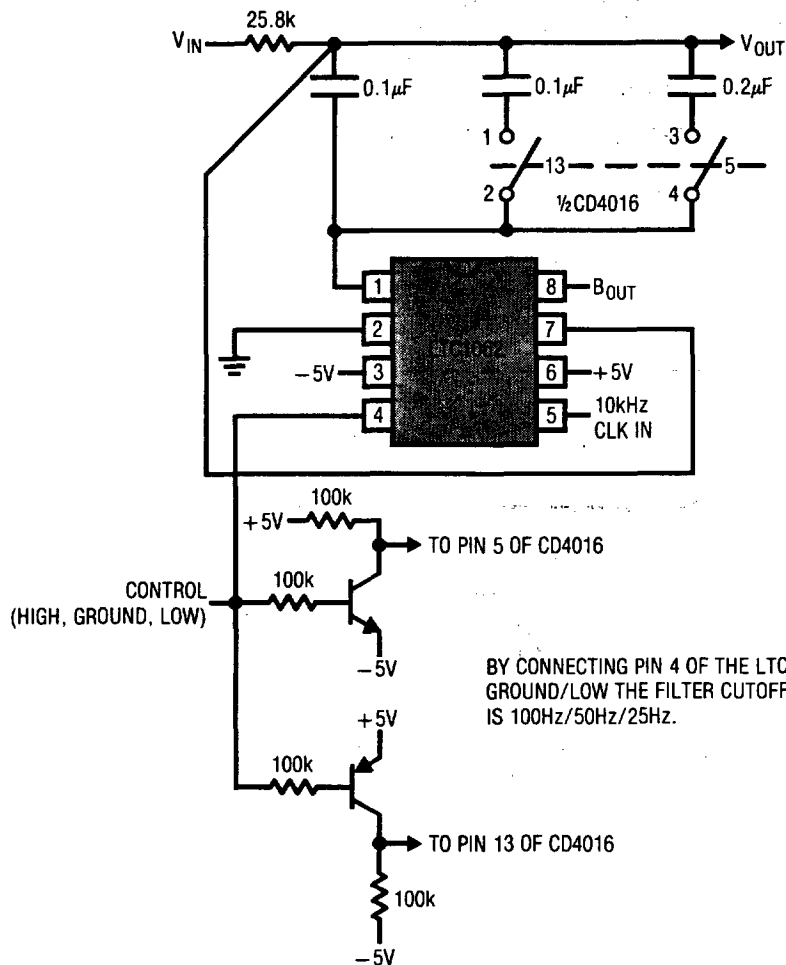
TYPICAL APPLICATIONS

Simple Cascading Technique



10Hz, 10th ORDER DC ACCURATE LOW PASS FILTER
 60dB/OCTAVE ROLLOFF
 0.5dB PASSBAND ERROR, 0dB DC GAIN
 MAXIMUM ATTENUATION 110dB ($f_{CLK} = 10kHz$)
 100dB ($f_{CLK} = 1kHz$)
 95dB ($f_{CLK} = 1MHz$)

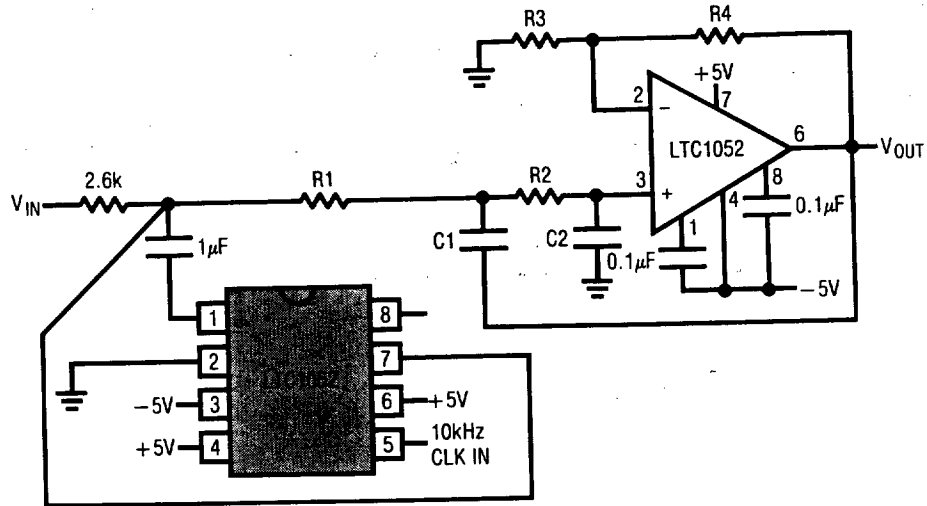
100Hz, 50Hz, 25Hz 5th Order DC Accurate LP Filter



BY CONNECTING PIN 4 OF THE LTC1062 HIGH/
 GROUND/LOW THE FILTER CUTOFF FREQUENCY
 IS 100Hz/50Hz/25Hz.

TYPICAL APPLICATIONS

7th Order 100Hz Lowpass Filter with Continuous Output Filtering, Output Buffering and Gain Adjustment



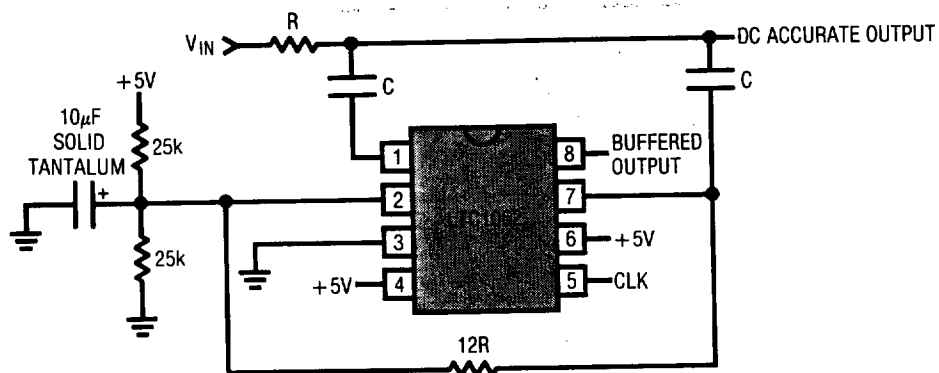
THE LTC1052 IS CONNECTED AS A 2ND ORDER SALLEN AND KEY LOWPASS FILTER WITH A CUTOFF FREQUENCY EQUAL TO THE CUTOFF FREQUENCY OF THE LTC1062. THE ADDITIONAL FILTERING ELIMINATES ANY 10kHz CLOCK FEED THROUGH PLUS DECREASES THE WIDEBAND NOISE OF THE FILTER.

DC OUTPUT OFFSET (REFERRED TO A DC GAIN OF UNITY) = 5μV MAX.

WIDEBAND NOISE (REFERRED TO A DC GAIN OF UNITY) = 60μVrms

| OUTPUT FILTER COMPONENT VALUES | | | | | | |
|--------------------------------|-------|-------|-------|-------|--------|---------|
| DC GAIN | R3 | R4 | R1 | R2 | C1 | C2 |
| 1 | ∞ | 0 | 14.3k | 53.6k | 0.1μF | 0.033μF |
| 10 | 3.57k | 32.4k | 46k | 274k | 0.01μF | 0.02μF |

Single 5V Supply 5th Order LP Filter

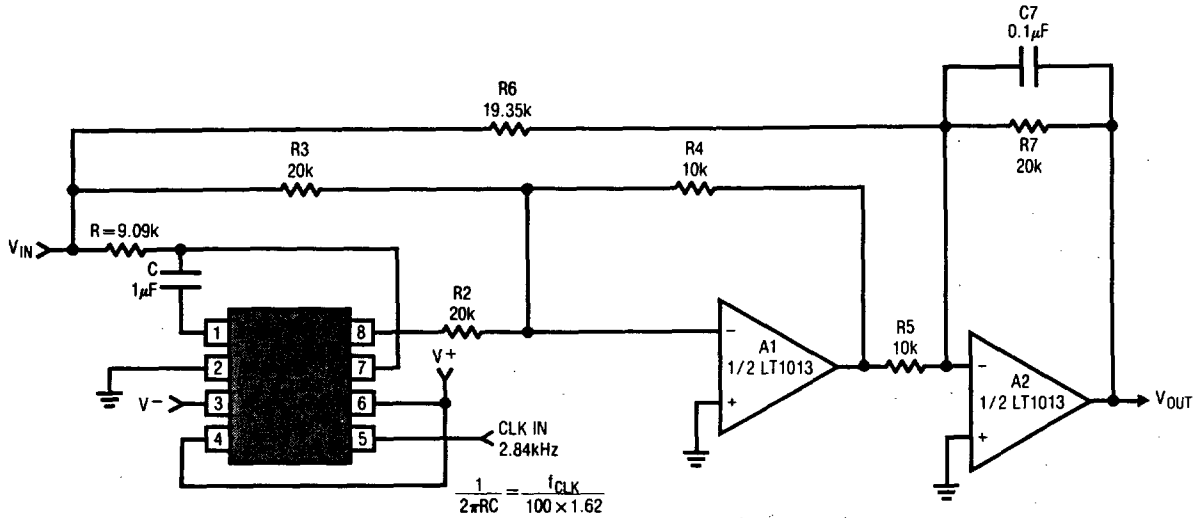


FOR A 10Hz FILTER R = 29.4k, C = 1μF, f_{CLK} = 1kHz

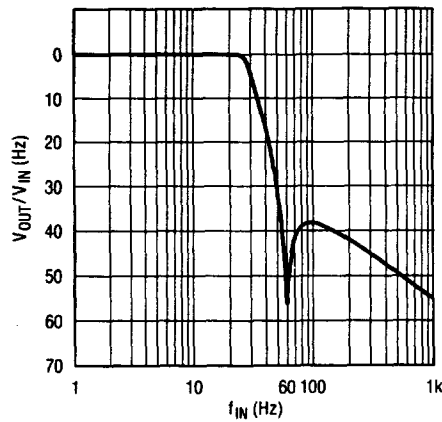
THE FILTER IS MAXIMALLY FLAT FOR $\frac{1}{2\pi RC} = \frac{f_c}{1.84}$

TYPICAL APPLICATIONS

A Lowpass Filter with a 60Hz Notch



Frequency Response of the Above Lowpass Filter with the Notch $f_{NOTCH} = \frac{f_{CLK}}{47.3}$



8

A Low Frequency, 5Hz Filter using Back-to-Back Solid Tantalum Capacitors

