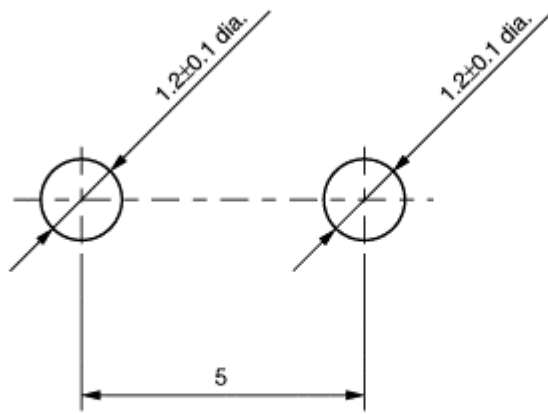


Drilling pattern



(Tolerance: ± 0.5
in mm)

Dimensions

