

# ASF1430

## Bidirectional Mass Flow Meter

- \_ Total mass flow integrator
- \_ Data rates up to 200 Hz
- \_ Unique dynamic range: 0.01 sccm – 400 sccm
- \_ Outstanding resolution and accuracy
- \_ Calibrated & temperature compensated
- \_ RS-232 and SPI digital interface



Version 2.1 / May 2005

### ASF1430 Product Summary

The ASF1430 Mass Flow Meter enables extremely accurate bidirectional measurement of fast changing gas flow over four orders of magnitude. Its leading performance is based on SENSIRION's unsurpassed CMOSens<sup>®</sup> sensor technology which combines a high precision sensor element with the amplification and A/D converter circuit on one single CMOS chip. This results in superior resolution, fast response time and large dynamic range at lowest power consumption. All measurement data is fully calibrated and temperature compensated by means of an internal microcontroller.

Mounted in rugged, chemically inert PBT housing the ASF1430 is suitable for a wide range of applications. Such include mass flow metering for process control, medical applications, heating ventilation and air conditioning (HVAC) solutions, as well as gas flow metrology.

The sensor housing provides two inlets for measuring the gas flow and withstands overpressures of 2 bar (29 psi).

The ASF1430 requires a supply voltage of 7...18Vdc and provides an RS-232 and SPI compliant electrical interface.

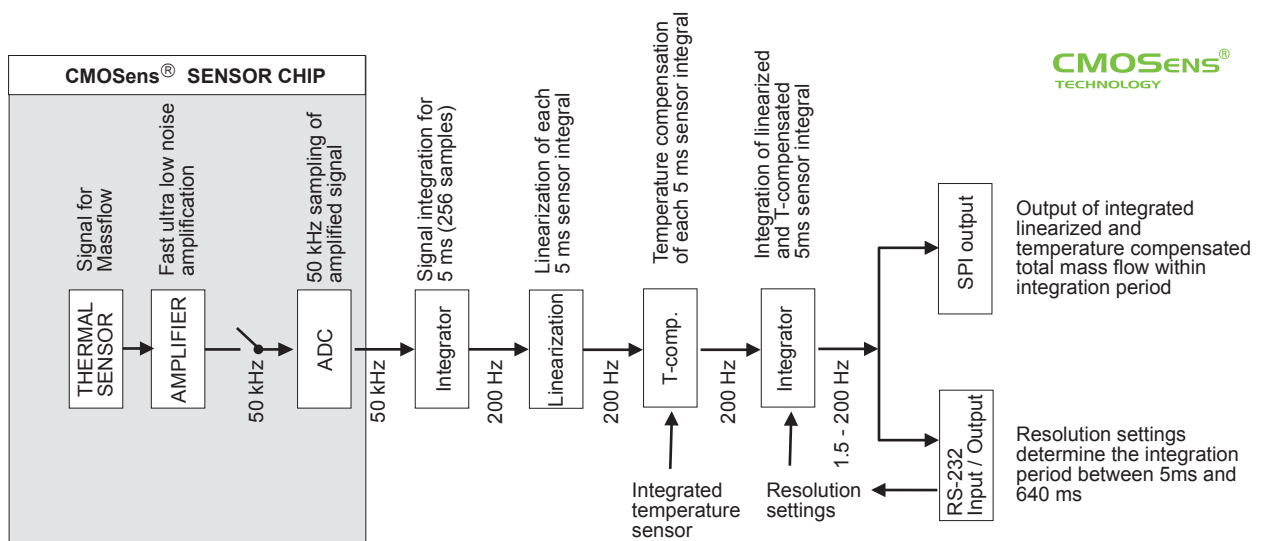


Figure 1: Block Diagram ASF1430 Mass Flow Sensor.

## Introductory Description

The heart of the ASF1430 mass flow meter is powered by Sensirion's unsurpassed CMOSens<sup>®</sup> sensor technology. The ASF1430 mass flow meter therefore provides unbeatable performance at very attractive system cost. The lowest detectable gas flow rate is 0.0143 sccm, i.e. a minimum volume of 14.3 mm<sup>3</sup> gas per minute can be measured. Covering at the same time a flow range of more than 4 orders of magnitude, the ASF1430 sets a new standard wherever mass flow has to be measured or controlled.

The ASF1430 mass flow sensor runs with an internal flow integration time of 5ms. This allows correct measurement and display of fast changing signals. But very often a precise total flow over a longer period is of higher interest than a fast single measurements. For this purpose the ASF1430 can be set to slower read out times (see Table 2). The sensor internally still integrates in 5 ms slices and recognizes fast signal changes but for the read out the total flow over the whole period is calculated. The ASF1430 mass flow meter therefore is exceptionally well suited for difficult measurement conditions when fast changing gas flows must be monitored and summed up precisely.

The ASF1430 device measures true mass flow independent of the ambient temperature and pressure changes. You simply connect the gas to be measured to the ASF1430 device to get an instantaneous gas mass flow integral with a selectable integration time between 5 ms and 640 ms.

A flow range between  $\pm 400$  sccm can directly be measured by connecting the ASF1430. To increase the range, a bypass can be used in conjunction with the ASF1430 device (see Section 1.5 of this data sheet).

In addition to mass flow, the ASF1430 device provides information about the temperature on the CMOSens<sup>®</sup> sensor element. Both mass flow and temperature data are accessed through an RS-232 or SPI interface. The RS-232 interface allows you to directly connect the ASF1430 device to a PC or PDA using standard terminal software. The serial

peripheral interface (SPI) also enables the ASF1430 to be used in smaller systems. If a special interface such as 4-20 mA current output or other is required contact Sensirion for a customer specific solution.

In general, all gas types can be measured using the ASF1430. However, the standard calibration gas is nitrogen. Please contact SENSIRION, if you would like to use the sensor for applications with other gases.

To get you started quickly, an evaluation package including ASF1430 devices, software, cables, rubber hose and bypass is available from Sensirion AG.

## CMOSens<sup>®</sup> sensor technology

CMOSens<sup>®</sup> is the base technology for all Sensirion multi sensor modules and sensor systems. The union of semiconductor chip and sensor technology serves as a platform for highly integrated system solutions with excellent sensor precision and reliability. With CMOSens<sup>®</sup>, the on-chip sensor element forms an integrated whole with a high-end amplification and A/D converter circuit. Due to the compact single-chip design, CMOSens<sup>®</sup> based sensors are very resistant to electromagnetic disturbances (EMC), another important technical advantage of this state of the art sensor technology. As a result, CMOSens<sup>®</sup> based multi sensor modules offer excellent sensor precision, fast response time and a very large dynamic measurement range. In addition, the digital intelligence of the CMOSens<sup>®</sup> sensor technology enables digital interfaces that permit an easy link with the system of the customer ("Mount&Sense").

## 1 Mass Flow Sensor Performance

Table 1: Overview of ASF1430 Gas Sensor Performance (All data for 20°C, 1013 mbar unless otherwise noted).

Parameter	Condition	Minimum	Typical	Maximum	Units
<b>Flow Sensor</b>					
Dynamic Range <sup>1</sup>	direct measurement	-400		400	sccm <sup>2</sup>
	using proposed bypass tube <sup>3</sup>	-100		100	liter/min <sup>4</sup>
	customized bypass tube	unlimited		unlimited	
Resolution <sup>5</sup>	400 sccm flow / 640 ms		0.1		sccm
	< 10 sccm flow / 640 ms		0.0143 (1/70)		sccm
Lowest Detectable Flow	< 10 sccm flow / 640 ms		0.0143 (1/70)		sccm
Pressure Drop	400 sccm, p <sub>abs</sub> = 1 bar		120		Pa <sup>6</sup>
Repeatability			0.0025 % FS <sup>7</sup> 0.025 % m.v.		
Accuracy <sup>8</sup>	23°C	0...5 % of full scale		0.05 % FS	
		5...100 % of full scale		1 % m.v.	
Offset	23°C		< 0.005	< 0.02	% FS
Overpressure Resistance <sup>9</sup>				2	bar
Response Time	depends on resolution setting (see Table 2)	5		640	ms
Operating Temperature		0		70	°C
Ambient Temperature Coefficient	Zero		< 0.0008	< 0.002	% FS / °C
	Span		< 0.03	< 0.08	% measured value / °C
Position Sensitivity	p <sub>abs</sub> =1 bar, small nitrogen flow		±0.004		% FS
<b>Temperature Sensor</b>	Measures temperature inside the sensor, but not of the surrounding air <sup>10</sup>				
Dynamic Range		0		70	°C
Resolution			0.1		°C
Accuracy		3	2		°C

<sup>1</sup> The calibration is valid up to +-400 sccm but the flow is displayed up to +- 440 sccm. Above 440 sccm an overflow is displayed (see section 1.1)

<sup>2</sup> 1 sccm = 1 cm<sup>3</sup>/min at 0°C and 1013mbar pressure (1sccm = 0.001 norm liter).

<sup>3</sup> Using bypass tube included in Sensirion's mass flow meter evaluation kit EK-F2.

<sup>4</sup> 1 liter/min = 1000 sccm

<sup>5</sup> See Table 2

<sup>6</sup> 1 bar = 100 000 Pa = 0.9869 atm = 401.9 inch H<sub>2</sub>O = 14.5 psi

<sup>7</sup> Error = % of full scale (FS) or % of measured value(m.v.), whichever is bigger.

<sup>8</sup> Better calibration available on request. Allow the Sensor to warm up for best results.

<sup>9</sup> Higher overpressure resistance can be realised in OEM-solutions or see the EM1.

<sup>10</sup> The sensor warms up by about 4°C (depending on supply voltage and ventilation).

Table 2: ASF1430 Mass Flow Sensor Resolution at different Flow Levels and integration time.

Flow or Differential Pressure Level	Readout Frequency 200 Hz	Readout Frequency 50 Hz	Readout Frequency 12.5 Hz	Readout Frequency 1.56 Hz
<b>Flow Level</b>				
400 sccm	13 sccm	3.5 sccm	0.9 sccm	0.11 sccm
100 sccm	4.0 sccm	1.0 sccm	0.3 sccm	0.03 sccm
< 10 sccm	1.0 sccm	0.25 sccm	0.06 sccm	0.0143 sccm
<b>Mass Flow Integration Time</b>				
	5 ms	20 ms	80 ms	640 ms

**1.1 Gas Flow Characteristics**

Figure 2 shows the applied gas flow vs. the digital output of the ASF1430.

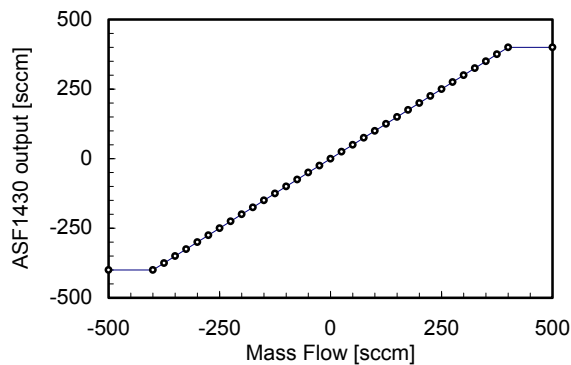


Figure 2: ASF1430 transfer characteristics.

The ASF1430 is bidirectionally calibrated up to a flow of 400 sccm. Between 400 sccm and 440 sccm flow is displayed, but with reduced accuracy. Two types of overflows are reported outside of this expanded range:

1. 'Peak Overflow' if the measured flow was only partly above 440 sccm. In this context it has to be remembered that the ASF1430 mass flow meter averages the flow over a eligible integration time. It can be that the average flow is small but that it periodically exceeds the maximum of 440 sccm and no precise measurement of the average can be guaranteed anymore. This can be checked with a sensor readout at 200 Hz.
2. 'Overflow' if the measured flow is always above the limit of 440 sccm.

**1.2 Sensor Principle and Gas Types**

The ASF1430 device detects mass gas flow by measuring heat transfer. A heating resistor on a thermally insulated membrane is kept above ambient temperature. In the presence of gas flow, the temperature distribution up- and downstream is disturbed. This asymmetry is then measured. Due to the minimal thermal mass of the membrane, symmetrical arrangement, and accurate temperature measurement, the revolutionary specifications of the ASF1430 devices are achieved.

The above mentioned thermal principle requires information about the gas type to be measured. The ASF1430 is available for air and nitrogen. Other gas types are available on request.

In Figure 3 the repeatability of the ASF1430 devices is compared with the repeatability of a typical Mass Flow Controller (MFC). It emphasizes the superior performance of the ASF1430 device.

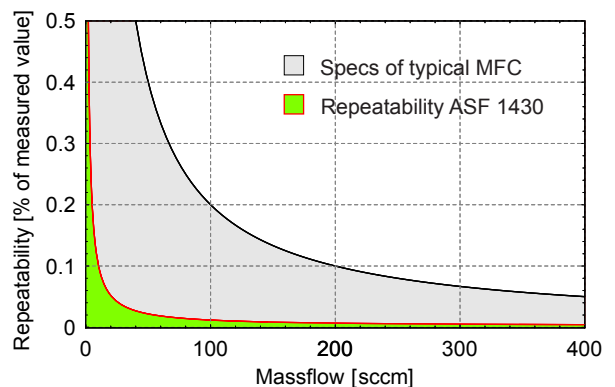


Figure 3: Comparison of the repeatability of the CMOSens® ASF1430 device compared to a typical Mass Flow Controller (MFC).

### 1.3 Temperature Compensation

The ASF1430 has an automatic temperature compensation implemented. The flow measurement must be suspended for the duration of each update of the temperature measurement. Since these interrupts of the flow measurement shall be short the temperature measurements are only done with a reduced accuracy. They can vary between different measurements and reduce the accuracy of the temperature compensated flow output. The duration of the temperature update is 45 ms which gives a variation of the output of the compensated flow by 0.1% of measured value (for N<sub>2</sub>).

Advanced users can choose duration and accuracy of the temperature updates and enhance the accuracy of the temperature compensation even more.

The moment of a temperature update can be controlled in two modes:

- a) Automatically  
The temperature measurements are updated automatically in fixed periods which can be set by the command INT (see Table 4).
- b) By Hand  
For highest accuracy it is recommended to set INT=0 and initiate the updates through the RS-232 interface with UPDATETEMP (see Table 4). For such measurements it also makes sense to use the option for advanced users to set the duration and accuracy of the temperature update to the maximum.

By default temperature updates are done automatically every 60 seconds (INT=12000).

### 1.4 Gas Flow and Pressure Difference

The ASF1430 is calibrated for mass flow measurements. However, there is a well defined relation between mass flow and pressure drop. This relation is shown in Figure 4.

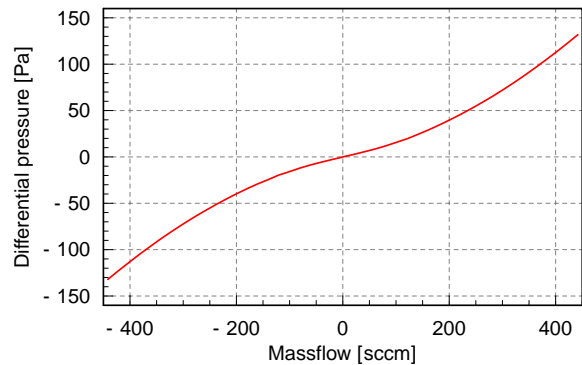


Figure 4: Differential Pressure vs. Mass Flow of ASF1430 Device.

### 1.5 Adjusting the Measurement Range

To adjust the measurement range, the ASF1430 device is used in conjunction with a bypass configuration (see Figure 5). Only a sample of the total flow actually gets directed through the bypass channel and the sensor system. A tube with flow restrictor and all required connection items are included in the Mass Flow Meter Evaluation Kit EK-F2, also available from SENSIRION AG.

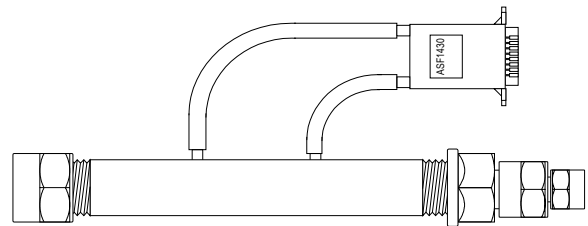


Figure 5: Extending the measurement range of the ASF1430 device using a bypass configuration. Only a sample of the total flow actually gets directed through the bypass channel and the sensor. Shown tube with flow restrictor is included in the EK-F2 evaluation kit.

## 2 Pins and Digital Interface

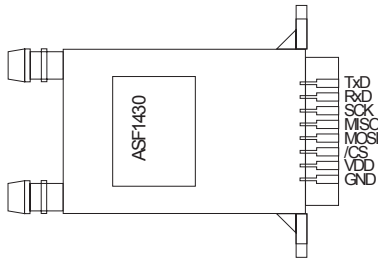


Figure 6: ASF1430 pin out.

### GND and VDD (Power Supply)

The ASF1430 requires a voltage supply between 7V and 18 V. Since this voltage is internally regulated, there are no stringent requirements as far as ripple and stability are concerned.

### 2.1 Connector

You need a EDAC 395-010-520-102 connector to connect the sensor. Please check the EDAC homepage for details ([http:// www.edac.net](http://www.edac.net))

### 2.2 Digital Interface

The ASF1430 has two interfaces: One is a bi-directional RS-232 to set configuration and to get flow or temperature values. The other one is a uni-directional SPI that only sends flow or temperature depending on the configuration which was made by RS-232.

### 2.3 Dataformat and Interpretation

The received value is a 16 bit signed integer in the two's complement representation. The calibrated data is multiplied by a constant factor and then rounded to the next smaller integer in order to transfer also fractions of an unit through the integer protocol. This factor is **70** for flow and **100** for temperature.

Example: a received value of +1234 (dec) corresponds either to 17.628 sccm in flow mode or 12.34 °C in temperature mode. An explanation of the overflow modes can be found in section 1.1.

received value (hex)	received value (dec)	flow [sccm]	temperature [°C]
0x7852	30802	overflow	--
0x7851	30801	peak overflow	--
0x7850	30800	+440.000	+308.00*
⋮	⋮	⋮	⋮
0x0001	1	+0.014286	0.01
0x0000	0	0.000000	0.00
0xFFFF	-1	-0.014286	-0.01
⋮	⋮	⋮	⋮
0x87B0	-30800	-440.000	-308.00*

\*not a possible value, just to show the principle

Figure 7: Interpretation of Integer values

### 2.4 RS-232 Interface

All configurations (see also Section 3) for the ASF1430 can be set using its RS-232 interface. The following pins are required to communicate with the ASF1430 via RS-232:

- RxD (Receiving Data Line)
- TxD (Transmitting Data Line)
- GND (Ground)

The RS-232 protocol of the ASF1430 is configured as follows:

Baudrate	19200
Data Bits	8
Stop Bits	1
Parity	none
Protocol	none
Echo	the sensor generates an echo

With these settings, the ASF1430 device can be connected to any PC or device with an RS-232. The commands have to be sent in ASCII format, the measurement values are provided as a 16 bit signed integer in binary format with 2 bytes synchronization preceding.

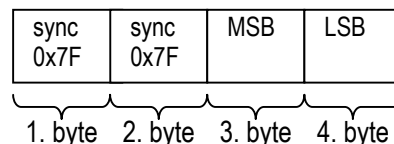


Figure 8: Byte sequence of one value

Because of the maximum range of 0x7852, the high byte never will contain 0x7F. Therefore the worst



case is, if the lower byte contains 0x7F. In this special case, 0x7F appears three times in a row.

Example (val=7C 7F):

```

received string: 7F 7F 7C 7F 7F 7F 7C 7F
right sync:    7F 7F 7C 7F 7F 7F 7C 7F
wrong sync:    7F 7F 7F 7C
    
```

The best approach to find the sync in pseudo code:  
 if (buffer[ i ]=7F and buffer[ i+1]=7F and buffer[ i+2] <> 7F)  
 then buffer[ i] and buffer[ i+1] are sync bytes.

### 2.5 Serial Peripheral Interface (SPI)

To make measurement data available also for smaller systems or to cascade several ASF1430 devices, the ASF1430 provides a uni-directional SPI interface. The configuration of the ASF1430 (as described in Section 3) has to be done using the RS-232 port.

#### SPI Modes

There are two different SPI modes: The PUSH mode and the GET mode. In PUSH mode, each time a value is sent through RS-232, the same value is sent by SPI simultaneously. In GET mode, the buffered value is sent immediately after /CS is pulled down by the user.

Important: The sensor has to be in GO mode for valid data on SPI-Port.

#### Hardware

The internal SPI setup of the ASF1430 is shown in Figure 9. Figure 10 shows an example of cascading four ASF1430 devices using a single microcontroller or a FPGA.

Note: With each additional sensor the capacitive load of the signal line will increase, causing an increase of the output fall/rise time and an output signal deterioration.

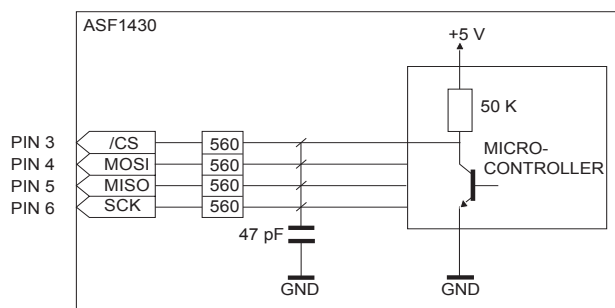


Figure 9: Internal ASF1430 SPI hardware.

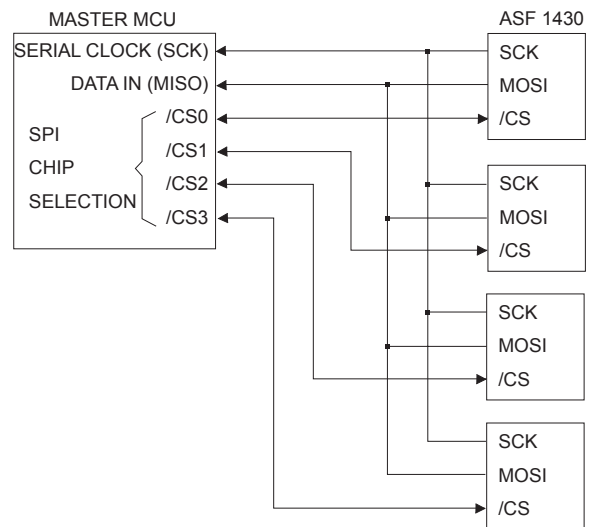


Figure 10: Cascading four ASF1430 devices using the SPI interface.

#### SCK (Serial Clock, Output)

The SCK synchronizes data transfer out of the device through the MOSI line. Data on the MOSI pin is ready after a falling edge of SCK. In every case, the ASF1430 is the master. That means, that SCK is driven only by the ASF1430, even in GET mode.

#### /CS (Chip Select, Input or Output)

In PUSH mode, /CS is controlled by ASF1430. Before sending a new value, /CS goes low and after the transfer of 16 data bits /CS goes high.

In GET mode, the user requests the last measured value by pulling down /CS. After transfer, /CS has to be released otherwise the same value will be sent repeatedly.

#### MOSI (Master Out Slave In, Output)

MOSI is the serial data output of the ASF1430 device. Data is clocked out on the rising edge of SCK with MSB first. This output goes into a high-impedance state when the device is not selected.

#### MISO (Master In Slave Out, Do not connect)

The ASF1430 firmware only supports a uni-directional SPI protocol. Therefore, the MISO pin should always left unconnected.

### 3 Configuration and Commands

The ASF1430 device accepts a set of commands through its RS-232 interface (see Table 4 for valid commands; for correct settings of the RS-232 refer to Section 2.1). This allows the user to configure the ASF1430 device. Since the configuration is stored in the internal EEPROM, it is maintained after power interruptions.

With the exception of the stop **s** command, all commands have to be sent in the ASCII-format and terminated by the return key (↵, ASCII #10 or #13). After completion of a command, the ASF1430 returns **ok** and is ready to take a new instruction. Before entering a command, it may be necessary to clear the buffer by sending a return key (↵).

There is a trade-off between resolution and measurement time. Possible settings are listed in Table 3. Choosing 12 bit results in a measurement interval of 80 ms. With the maximum resolution of 15 bit, a new measurement is provided every 640 ms.

Table 3: Resolution settings using the **res=value** command and corresponding response times

res=	Resolution [bit]	Internal signal integration time [ms]	Data rate [Hz]
0	8	5	200
1	9	10	100
2	10	20	50
3	11	40	25
4	12	80	12.5
5	13	160	6.25
6	14	320	3.125
7	15	640	1.56



Table 4: RS-232 Interface commands

Command	Output	Description
help↵	commands	Lists all available commands
ver↵	version	Provides type of sensor, software, hardware and customer version
info↵	calibration	Unit / Factor Flow / Overflow / Sensitivity / Factor Temperature
data↵	serial ID	Sensor Serial Number
go↵		Starts series of measurements
s	stop	Stops series of measurements
defspi=x↵		SPI-Mode: P=push, G=get (defspi? = Status)
get↵		Start single measurement
mod=F T↵	mode	Selects Flow- (F) or Temperature mode (T), (mod? = Status)
res=0..7↵	resolution	Sets resolution: 0 -> 8 bits; 7 -> 15 bits, see Table 3, (res? = Status)
int=x↵		Interval between automatic internal temperature measurements for an internal update of the temperature compensation. 0=never, {1..2*10 <sup>9</sup> }. INT is measured in units of 5 ms. INT = 12000 therefore is an update every 60 sec. The duration of an update is 45 ms. Attention : Flow is not measured during this internal temperature update! (INT? = Status).
updatetemp↵		Manual command for an internal temperature measurement for internal update of the temperature compensation. Used with int=0
rdatax↵		reads 4 user defined bytes at the address x={0,...,9}
wdatax=yyyy↵		writes a maximum of 4 user defined bytes at the address x={0,...,9}
test↵		Sensor Selftest
reset↵		Resets ASF1430 device

## Notes:

- The commands are not case sensitive.
- In order to send a new command to the ASF1430 make sure the ASF1430 is not in measurement mode. Issue therefore a stop command **s** first. After this, any instruction can be given to the ASF1430 and a new series of measurement can be started by **go↵**.
- Due to the limited write cycles allowed for the EEPROM, excessive configuration modifications should be avoided.

## Error Codes

ERROR 01	Invalid command
ERROR 02	Wrong syntax
ERROR 03	Value out of range
ERROR 04	Not allowed mode
ERROR 05	No permission
ERROR 06	No permission
ERROR 50	Invalid EEPROM
ERROR 99	Internal error

## 4 Specifications ASF1430

### 4.1 Absolute Maximum Ratings

Ambient storage temperature	-65°C to 150°C
Ambient operating temperature	0°C to 70°C
Overpressure resistance	2.0 bar

### 4.2 Electrical Specifications

Table 5: ASF1430 DC Characteristics.

Parameter	Conditions	Min.	Typ.	Max.	Units
Power Supply DC	DC	7	9	18	V
Operating Current	VDD = 9 V, no load		19		mA
	VDD = 9 V, 3kΩ at RS232 output		24		mA
Power Dissipation	VDD = 9 V, no load		171		mW

Table 6: ASF1430 RS-232 Characteristics.

Parameter	Conditions	Min.	Typ.	Max.	Units
<b>RS232 Output</b>					
Output Voltage Swing	Transmitter output loaded with 3kΩ	±5	±9		V
Power-Off Output Resistance		300			Ω
Output Short Circuit Current			±18		mA
<b>RS-232 Input</b>					
Voltage Range		-15		15	V
Voltage Threshold					
Low		0.8	1.2		V
High			1.7	2.4	V
Hysteresis		0.2	0.5	1.0	V
Resistance		3	5	7	kΩ

Table 7: ASF1430 SPI Characteristics (refer to Figure 11 for a timing diagram).

Symbol	Parameter	Conditions	Min.	Typ.	Max.	Units
V <sub>ol</sub>	Output Low Voltage	not connected	0	0.2	0.4	V
V <sub>oh</sub>	Output High Voltage	not connected	4.8	4.9	5	V
V <sub>ol</sub>	Output Low Voltage	RI=100kΩ	0	0.2	0.5	V
V <sub>oh</sub>	Output High Voltage	RI=100kΩ	2.4	4.45		V
I <sub>oh</sub>	Output High Current	V <sub>dd</sub> = 5V		-60		μA
I <sub>ol</sub>	Output Low Current	V <sub>dd</sub> = 5V		0.3		mA
f <sub>op</sub>	SCK Frequency			86.4		kHz
t <sub>ro</sub>	Output Rise Time	not connected		40		ns
t <sub>fo</sub>	Output Fall Time	not connected		26		ns
t <sub>ro</sub>	Output Rise Time	RI=100kΩ		42		ns
t <sub>fo</sub>	Output Fall Time	RI=100kΩ		30		ns
t <sub>clk</sub>	Clock High Time			11.57		μs
t <sub>css</sub>	/CS Setup Time	PUSH-Mode GET -Mode	8 8		9 45010	μs
t <sub>st</sub>	Send Time	PUSH Mode GET Mode			1000 46010	μs
t <sub>wait</sub>	wait time after 8 bits	PUSH-Mode GET -Mode	66 19		370 370	μs

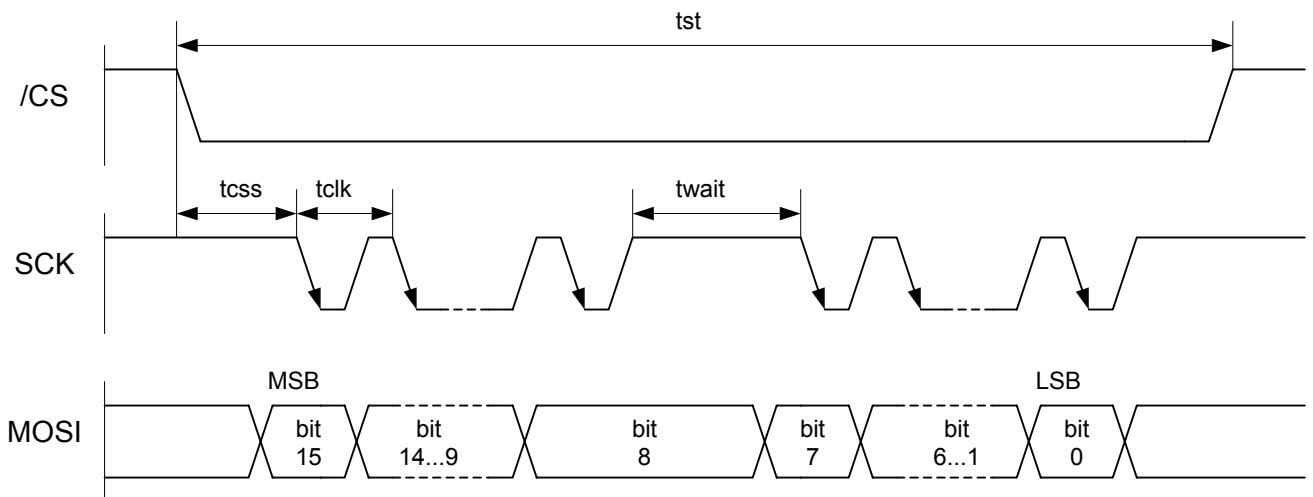


Figure 11: Timing Diagram of the ASF1430 SPI Interface.

### 4.3 SPI Output

The following scope diagram shows an example of the ASF1430 device SPI mode data access protocol. Data on MOSI are valid after falling edge of SCK.

- 1 = SCK            Serial clock output
- 2 = MOSI         Serial data output
- 3 = /CS           Chip select

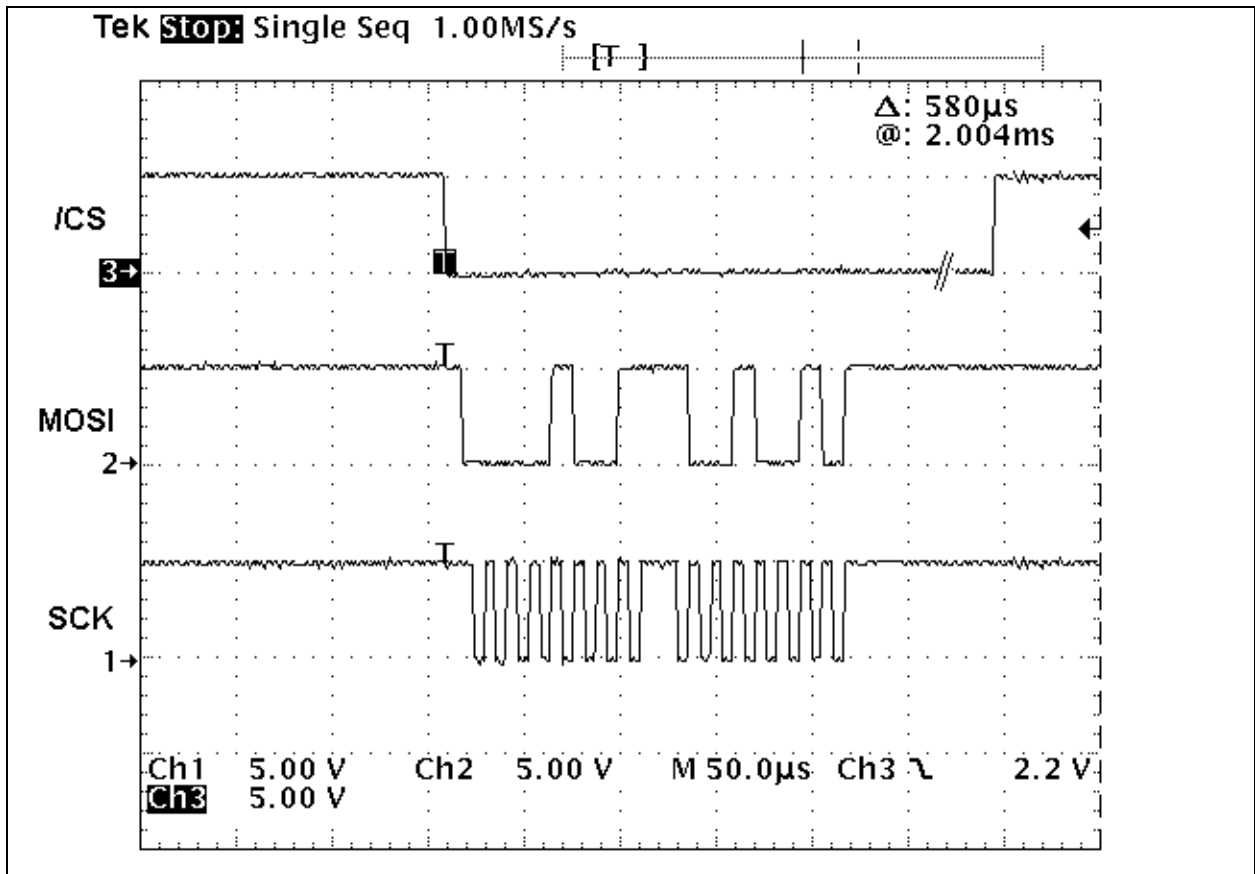


Figure 12: Scope Diagram

Value: 0000100110010010 bin / 0992 hex / 2450 dec ==> 35.00 sccm

## 5 Physical Dimensions and Mounting Information

The ASF1430 is mounted in chemically inert PBT housing. The rugged package has been designed to withstand overpressures of up to 2 bars. Higher pressure packages of up to 10 bars are available on request.

Physical dimensions and mounting information are provided in Figure 13 and Table 8.

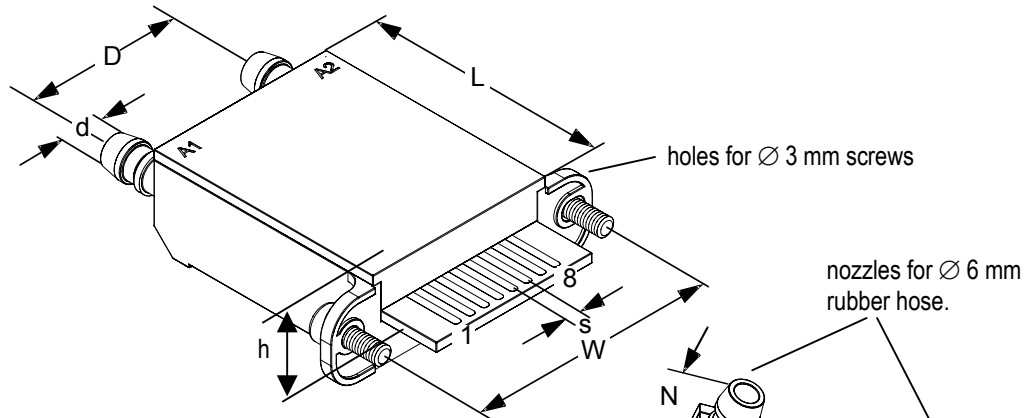


Table 8: Physical Dimensions of the ASF1430 device.

Length	L	45.0	mm
Width	W	40.0	mm
Height	h	15.5	mm
Distance	D	25.2	mm
Diameter	d	5.0	mm
Pitch	s	2.54	mm
Pitch	H	20.6	mm
Pitch	G	29.1	mm
Pitch	N	10.0	mm

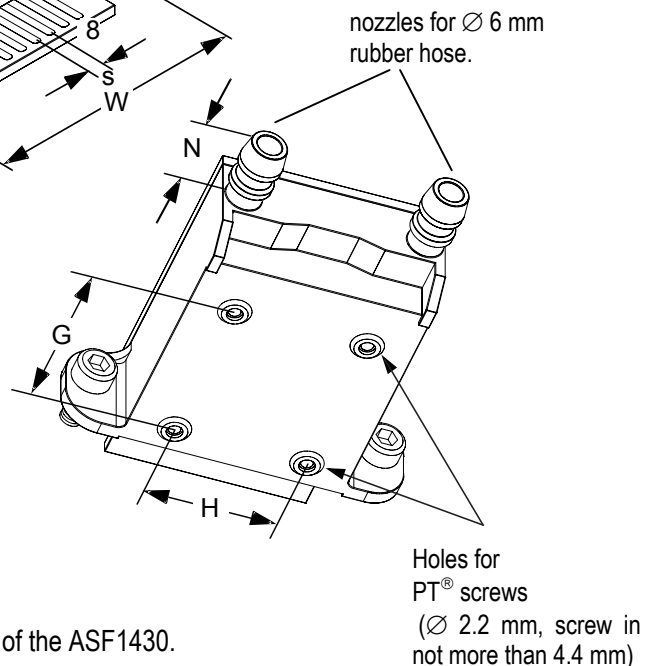


Figure 13: Physical dimensions and mounting information of the ASF1430.

## 6 Ordering Information

For small ordering quantities the ASF1430 sensor can be ordered directly at Farnell on <http://www.farnell.com>. Farnell is a worldwide distributor of electrical, electronic and industrial component products.

When ordering ASF1430 series devices at SENSIRION please refer to the following part numbers. For the latest product information access SENSIRION's website on <http://www.sensirion.com>

Calibrated for Gas Type	Range	Packaging	Type
Air	± 400 sccm	2 bar	ASF1430

### Notes:

- Packages to sustain common mode pressures of 10 bars are available on request.
- Special electrical interfaces such as 4-20 mA output or others are available on request.
- A evaluation kit including ASF1430 devices, evaluation software and other accessories such a bypass, rubber hose and cables can be ordered. For detailed information check out the description of the Mass Flow Meter Evaluation Kit EK-F2 on <http://www.sensirion.com>

## IMPORTANT NOTICES

The warranty for each SENSIRION AG product comes in the form of a written warranty which governs sale and use of such product. Such warranty is contained in the printed terms and conditions under which such product is sold, or in a separate written warranty supplied with the product. Please refer to such written warranty with respect to its applicability to certain applications of such product.

These products may be subject to restrictions on use. Please contact SENSIRION AG for a list of the current additional restrictions on these products. By purchasing these products, the purchaser of these products agrees to comply with such restrictions. Please contact SENSIRION AG for clarification of any restrictions described herein.

SENSIRION AG reserves the right, without further notice, to change the SENSIRION ASF1430 Mass Flow product specifications and/or information in this document and to improve reliability, functions and design.

**Sensirion AG assumes no responsibility or liability for any use of Sensirion ASF2430 product. Do not use this product as safety or emergency stop device or in any other application where failure of the product could result in personal injury. Failure to comply with these instructions could result in death or serious injury.** Application examples and alternative uses of the Sensirion ASF2430 are for illustration purposes only and Sensirion AG makes no representation or warranty that such applications shall be suitable for the use specified.

CMOSens® is a trade mark of Sensirion. SPI is a trademark of Motorola. LabView is a trademark of National Instruments.

Copyright© 2001 - 2005, SENSIRION AG. All rights reserved.

---

## FCC and CE Statement

The ASF1430 product has been tested and found to comply with the limits for a Class B digital device, pursuant to part 15 of the FCC Rules (FCC CFR 47). These limits are designed to provide reasonable protection against harmful interference in a residential installation. This equipment generates, uses and can radiate radio frequency energy and, if not installed and used in accordance with the instructions, may cause harmful interference to radio communications. However, there is no guarantee that interference will not occur in a particular installation. If this equipment does cause harmful interference to radio or television reception, which can be determined by turning the equipment off and on, the user is encouraged to try to correct the interference by one of more of the following measures:

- Reorient or relocate the receiving antenna.
- Increase the separation between the equipment and the receiver
- Connect the equipment into an outlet on a circuit different from that to which the receiver is connected.
- Consult a dealer or an experienced radio/TV technician for help.



The ASF1430 device fully complies with norm EN 61000-6-4 (Emission Test Series) as well as EN 61000-6-2 (Immunity Test Series).

---

## Headquarters and Sales Office

SENSIRION AG      Phone: + 41 (0)1 306 40 00  
Laubisrütistrasse 50      Fax: + 41 (0)1 306 40 30  
CH-8712 Stäfa ZH      e-mail: info@sensirion.com  
Switzerland      http://www.sensirion.com