

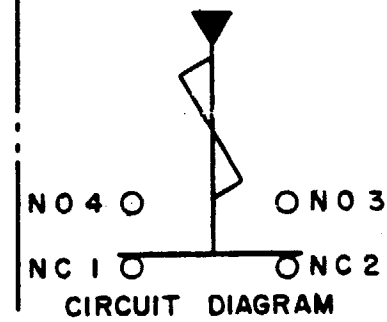
MICRO SWITCH

A DIVISION OF MINNEAPOLIS-HONEYWELL REGULATOR COMPANY
FREEPORT, ILLINOIS

FED. MFR. CODE 91929

SWITCH-ENCLOSED

CATALOG LISTING
2LS111



M

2LS111

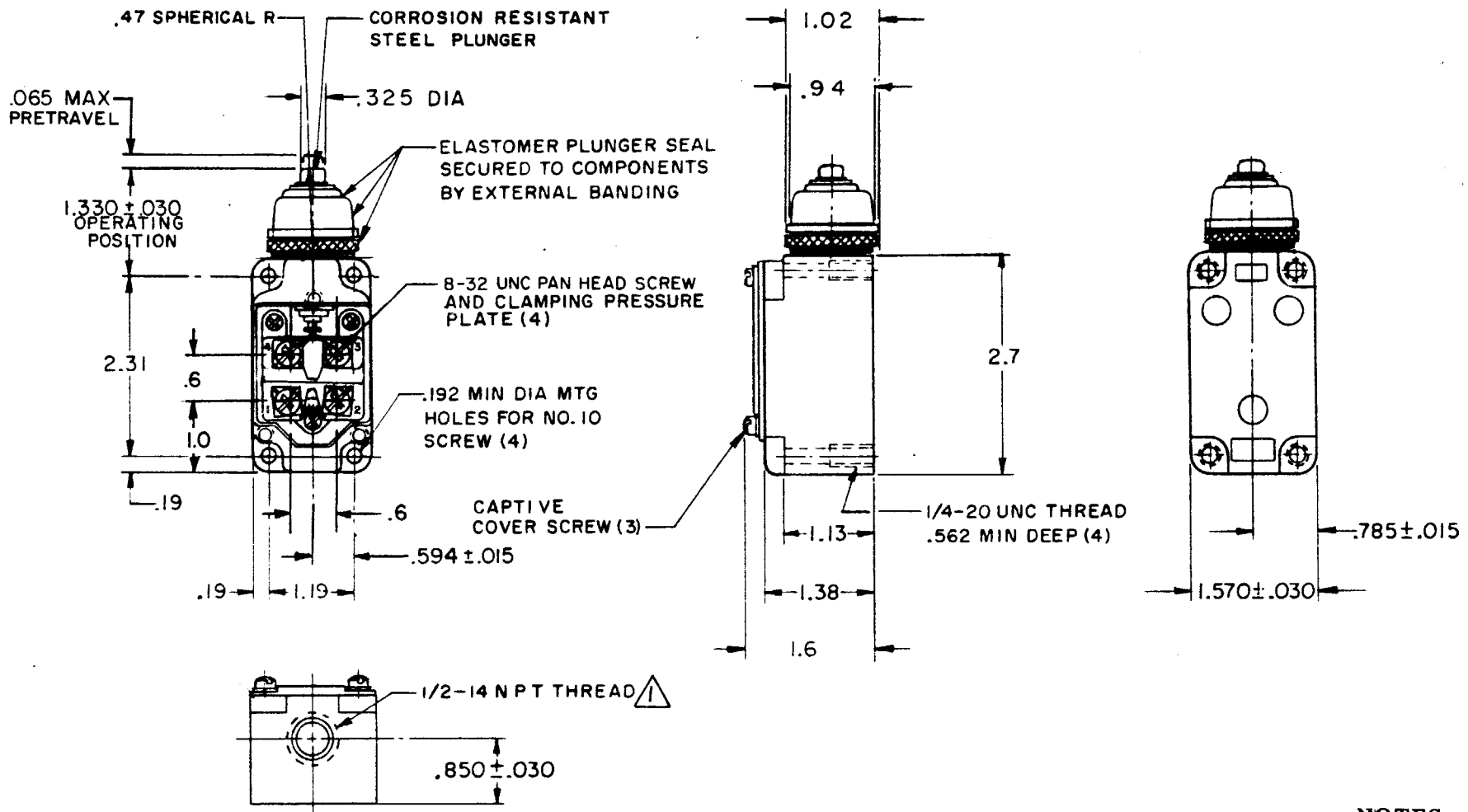
M

DRAWING NUMBER

ISSUE

REVISIONS

A	MADE ETS	19 JULY 63
B	VDF	9 OCT 63
C	CO20324	19 JULY 63
D	RER	8 OCT 68
E	SR 12644	28 DEC 66
F	CO23403	28 SEPT 68
G	CO 25152	19 JULY 63
H	DAW	18 MAR 69
I	CO 50952-F	8 JUNE 83
J	TSK	8 JUNE 83
K	CO 53005-D	1 AUG 84
L	CJH	1 AUG 84
M	CO65814	23 MAY 90
N	SLB	23 MAY 90
O	CO 65814-E	21 NOV 90
P	GRT	21 NOV 90
Q	CO 77031	22 DEC 93



NOTES:
① SEAL TO BE FURNISHED BY USER

THIS DRAWING COVERS A PROPRIETARY ITEM AND IS THE PROPERTY OF MICRO SWITCH, A DIVISION OF MINNEAPOLIS-HONEYWELL REGULATOR CO. THIS DRAWING IS NOT TO BE COPIED OR USED WITHOUT THE APPROVAL OF MICRO SWITCH.

CHARACTERISTICS	ELECTRICAL DATA	SCALE 1/2 TO 1
OPERATING FORCE — — — — 36 OZ MAX	CONTACT ARRANGEMENT	DO NOT SCALE PRINT
RELEASE FORCE — — — — 8 OZ MIN	(SEE CIRCUIT DIAGRAM)	UNLESS OTHERWISE SPECIFIED
DIFFERENTIAL TRAVEL — — — .009 MAX	② 10A - 120, 240 OR 480 VAC 1/3 HP - 120 VAC; 3/4 HP - 240 VAC PILOT DUTY: 600 VAC MAX	DIMENSIONS ARE IN INCHES
OVERTRAVEL — — — — .219 MIN		TOLERANCES ARE:
RELEASE TRAVEL — — — — .010 MIN		ONE PLACE (.0) ±.030
SWITCH-BASIC REPLACEMENT — — 2MN3		TWO PLACE (.00) ±.018
		THREE PLACE (.000) ±.008
		ANGLES ±
		WEIGHT

FO-8037D-003

DRAWN M B F 19 JULY 63

REPLACES RELEASE NO. SR 12644

CHECK

CHECK

CHECK

CHECK

CHECK

CHECK

CHECK

CHECK

CHECK