

THIS DRAWING IS UNPUBLISHED.  
VERTRAULICHE UNVERÖFFENTLICHTE ZEICHNUNG

RELEASED FOR PUBLICATION  
FREI FUER VERÖFFENTLICHUNG  
2000.  
BY AMP INCORPORATED.  
ALL RIGHTS RESERVED.  
ALLE RECHTE VORBEHALTEN

MATED WITH:  
PASSEND ZU:  
HVS-HE.5

LOC  
AI

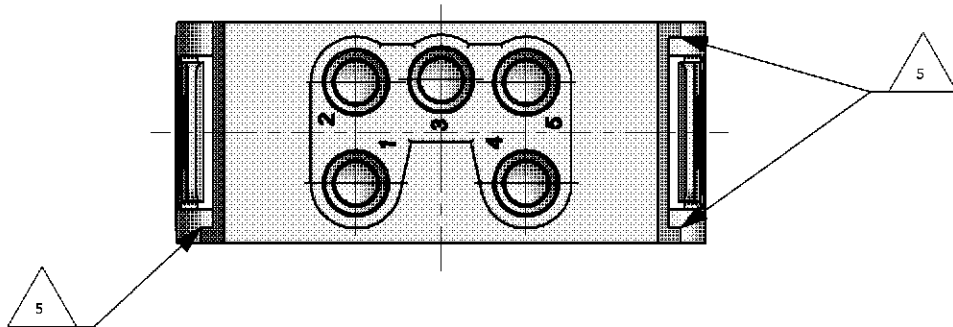
DIST

REVISIONS  
ÄNDERUNGEN

P	LTR	DESCRIPTION	BESCHREIBUNG	DATE	DWN	APVD
	A2	PRINTING ADDED	ECR-06-002902	19.11.2004	SR	SM

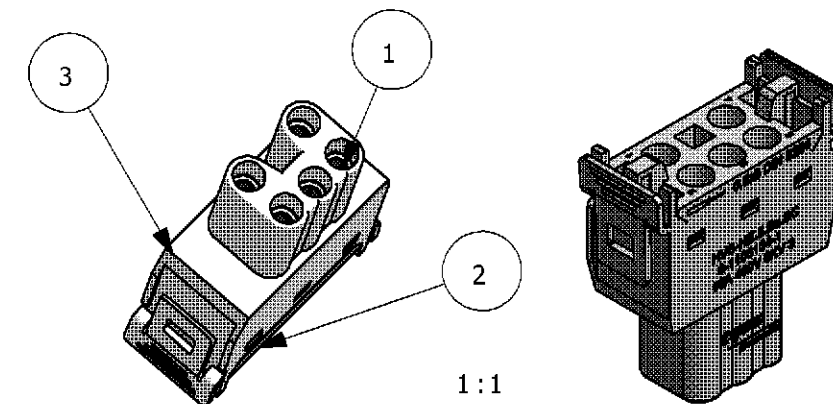
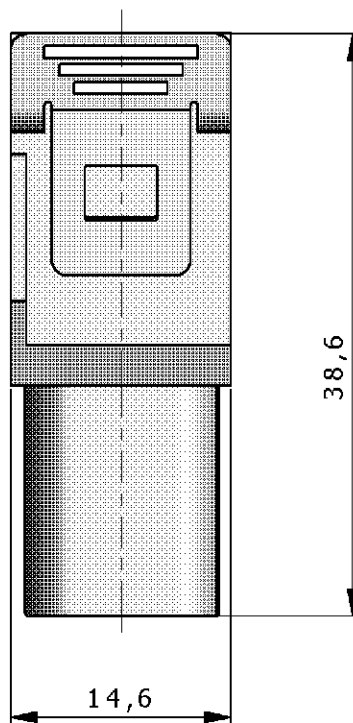
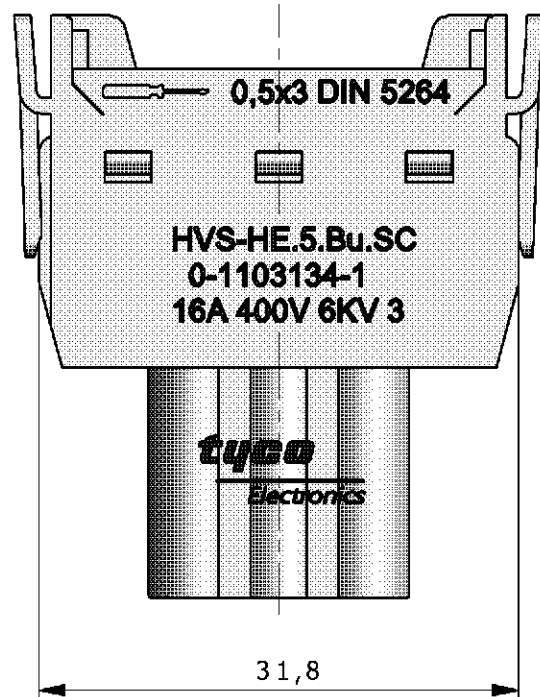
PROJEKT NR.:  
EGGMN04410

Contact arrangement  
view from connecting side



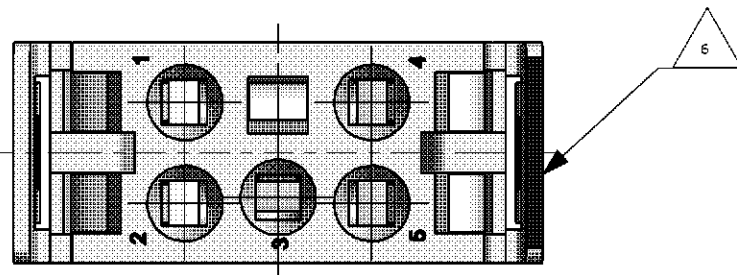
### NOTES

- 1 CONTACT: 1 TO 5  
OUTER DIMENSIONS OF INSULATION: MAX. Ø4,9 MM
- 2 SUITABLE MODULE FIXING FRAME: SERIES HVS SIZE 3 TO 8  
CUSTOMER DRAWING: 1103250
- 3 SUITABLE INSERTION AND EXTRACTION TOOL:  
SCREW DRIVER 0,3x5 DIN 5264
- 4 STANDARDS:  
DIN EN 61984; DIN EN 60664-1
- 5 POLARIZATION RIPS
- 6 MARKING OF POLARIZATION ACCORDING TO THE  
MARKING OF MODULE FRAME
- 7 PACKAGING:  
10 SETS IN A CARTON, PRE-MOUNTED



0-1 as shown  
Ordering text: HVS-HE.5.Bu.SC

Contact arrangement  
view from termination side



QTY.	DESCRIPTION	MATERIAL	SURFACE	COLOR	NOTE	ITEM
1	Female insert HVS-HE.5	PBT-GF25		light-grey		3
1	Cover HVS-HE.5	PBT-GF15		light-grey		2
5	Socket contact spring clamp HE	BRASS	silver plated		mounted	1

#### PARTS LIST

<small>THIS DRAWING IS A CONTROLLED DOCUMENT FOR AMP INCORPORATED. IT IS SUBJECT TO CHANGE AND THE CONTROLLING ENGINEERING ORGANIZATION SHOULD BE CONTACTED FOR THE LATEST REVISION. DIESES ZEICHNUNGSDOKUMENT WIRD DURCH AMP INCORPORATED KONTROLLIERT. ÄNDERUNGEN, DIE DEM TECHNISCHEN FORTSCHRITT DIENEN, SIND VORBEHALTEN. DEN JEWEILS LETZTGÜLTIGEN ÄNDERUNGSSTAND ERFAHREN SIE AUF ANFRAGE.</small>		DWN 31.05.2005 M.SCHWEIGER CHK 30.05.2005 T.SCHNURPFEIL APVD		Tyco / Electronics AMP GmbH D - 53819 Neunkirchen	
DIMENSIONS: DIMENSIONEN: mm		TOLERANCES UNLESS OTHERWISE SPECIFIED: ALLGEMEIN TOLERANZEN n. ISO 8015 n. ISO 2768 - MH -E n. DIN 16901 - 140 0 PLC # 1 PLC # 2 PLC # 3 PLC # ANGLES/WINKEL #		NAME <b>FEMALE INSERT HVS-HE.5.BU.SC</b>	
		PRODUCT SPEC PRODUKTSPEZ. 108-74071 APPLICATION SPEC VERARBEITUNGSSPEZ. 114-74073		SIZE A3 CAGE CODE 00779 DRAWING NO ZEICHNUNGS-NR. 1103134 RESTRICTED TO NUR FUER	
MATERIAL		FINISH / OBERFLÄCHE / FARBE		WEIGHT GEWICHT 0,019 KG CUSTOMER DRAWING / KUNDENZEICHNUNG SCALE MASSSTAB 1:1 SHEET BLATT 1 OF VON 1 REV A2	