

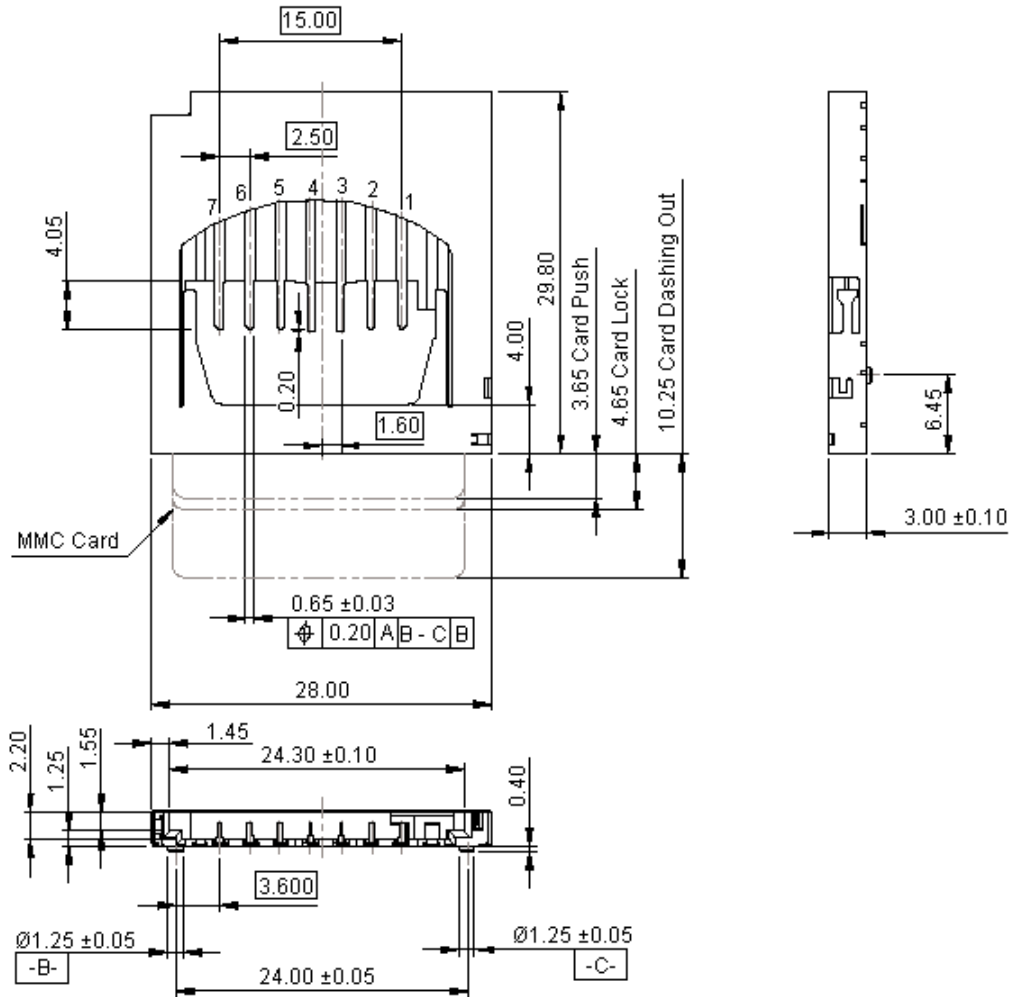


PART NO.

SDBMF-00715B0T0

REVISIONS

| ECN # | REV | DESCRIPTION | DRAWN | DATE | CHECKD | DATE | APPRVD | DATE |
|-------|-----|-------------|-------|----------|--------|----------|---------|----------|
| - | A | RELEASED | Veena | 26/03/09 | Suresh | 26/03/09 | Farnell | 09/04/09 |



Dimensions : Millimetres

This data sheet and its contents (the "Information") belong to the Premier Farnell Group (the "Group") or are licensed to it. No licence is granted for the use of it other than for information purposes in connection with the products to which it relates. No licence of any intellectual property rights is granted. The Information is subject to change without notice and replaces all data sheets previously supplied. The Information supplied is believed to be accurate but the Group assumes no responsibility for its accuracy or completeness, any error in or omission from it or for any use made of it. Users of this data sheet should check for themselves the Information and the suitability of the products for their purpose and not make any assumptions based on information included or omitted. Liability for loss or damage resulting from any reliance on the Information or use of it (including liability resulting from negligence or where the Group was aware of the possibility of such loss or damage arising) is excluded. This will not operate to limit or restrict the Group's liability for death or personal injury resulting from its negligence. SPC MULTICOMP is the registered trademark of the Group. © Premier Farnell plc 2009.

TOLERANCES:
UNLESS OTHERWISE SPECIFIED, DIMENSIONS ARE FOR REFERENCE PURPOSES ONLY.

| | |
|---------------------|--------------|
| DRAWN BY: | DATE: |
| Veena | 26/03/09 |
| CHECKED BY: | DATE: |
| Suresh | 26/03/09 |
| APPROVED BY: | DATE: |
| Farnell | 09/04/09 |

DRAWING TITLE:

Multimedia Card - Push IN/Push Out

| | | | |
|-------------------|-----------------------------|---|----------------------|
| SIZE A | DWG NO. M10001984 | ELECTRONIC FILE 9186212-TDS_DWG | REV A |
| SCALE: NTS | | U.O.M.: mm | SHEET: 1 OF 3 |



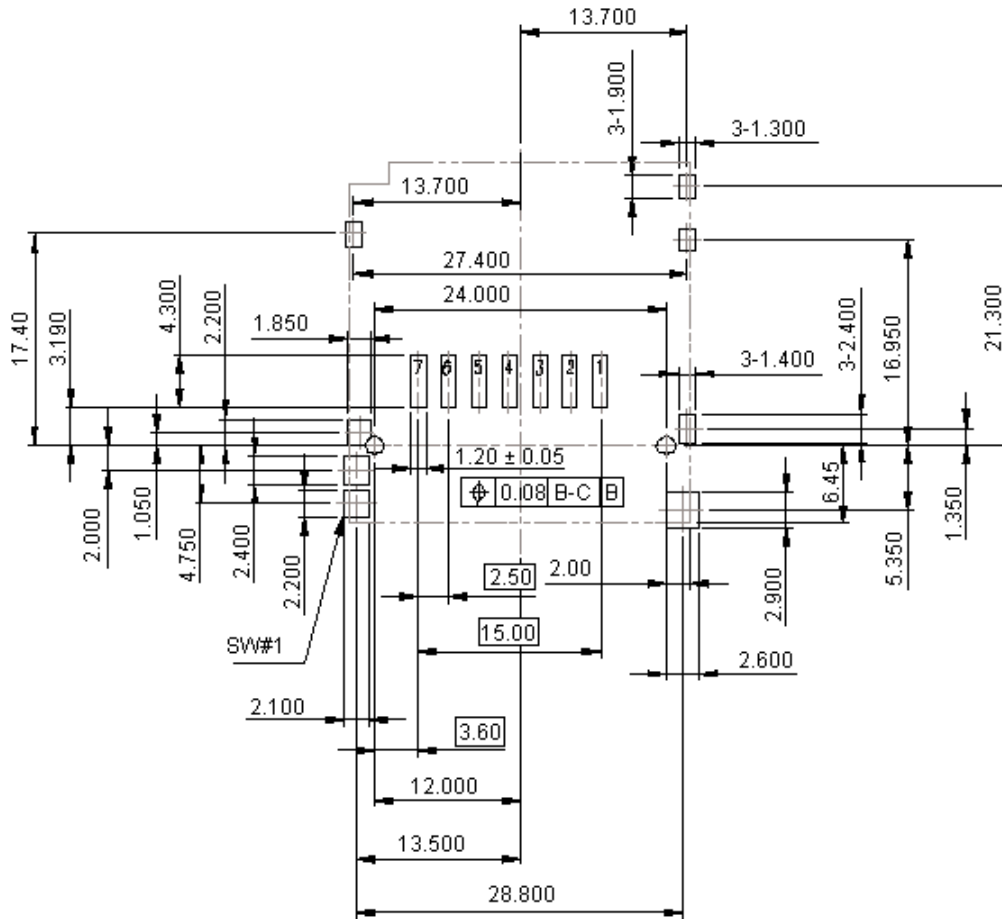
PART NO.

SDBMF-00715B0T0

REVISIONS

| ECN # | REV | DESCRIPTION | DRAWN | DATE | CHECKD | DATE | APPRVD | DATE |
|-------|-----|-------------|-------|----------|--------|----------|---------|----------|
| - | A | RELEASED | Veena | 26/03/09 | Suresh | 26/03/09 | Farnell | 09/04/09 |

PC Board Layout Component Side



Dimensions : Millimetres

This data sheet and its contents (the "Information") belong to the Premier Farnell Group (the "Group") or are licensed to it. No licence is granted for the use of it other than for information purposes in connection with the products to which it relates. No licence of any intellectual property rights is granted. The Information is subject to change without notice and replaces all data sheets previously supplied. The Information supplied is believed to be accurate but the Group assumes no responsibility for its accuracy or completeness, any error in or omission from it or for any use made of it. Users of this data sheet should check for themselves the Information and the suitability of the products for their purpose and not make any assumptions based on information included or omitted. Liability for loss or damage resulting from any reliance on the Information or use of it (including liability resulting from negligence or where the Group was aware of the possibility of such loss or damage arising) is excluded. This will not operate to limit or restrict the Group's liability for death or personal injury resulting from its negligence. SPC MULTICOMP is the registered trademark of the Group. © Premier Farnell plc 2009.

TOLERANCES:

UNLESS OTHERWISE SPECIFIED, DIMENSIONS ARE FOR REFERENCE PURPOSES ONLY.

DRAWN BY:

Veena

CHECKED BY:

Suresh

APPROVED BY:

Farnell

DATE:

26/03/09

DATE:

26/03/09

DATE:

09/04/09

DRAWING TITLE:

Multimedia Card - Push IN/Push Out

SIZE
A

DWG NO.

M10001984

ELECTRONIC FILE
9186212-TDS_DWG

REV
A

SCALE: NTS

U.O.M.: mm

SHEET: 2 OF 3



PART NO.

SDBMF-00715B0T0

REVISIONS

| ECN # | REV | DESCRIPTION | DRAWN | DATE | CHECKD | DATE | APPRVD | DATE |
|-------|-----|-------------|-------|----------|--------|----------|---------|----------|
| - | A | RELEASED | Veena | 26/03/09 | Suresh | 26/03/09 | Farnell | 09/04/09 |

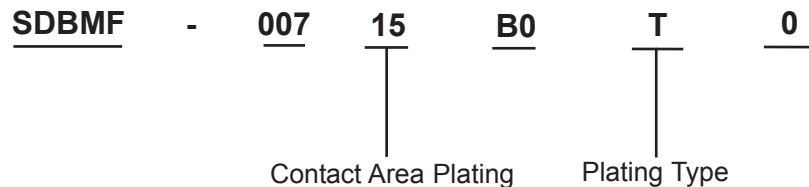
SD Card PIN Assignment

| PIN | Name |
|-----|----------|
| 1 | CD/DAT3 |
| 2 | CMD/DI |
| 3 | VSS1 |
| 4 | VDD |
| 5 | CLK/SCLK |
| 6 | VSS2 |
| 7 | DATO |

Part Number Table

| Description | Part Number |
|----------------------|-----------------|
| Card, MMC, Push/Push | SDBMF-00715B0T0 |

Part Number Explanation:



Contact Area Plating : 15 = 15µ Inches Gold Plating.
Plating Type : T = Lead Free.

<http://www.farnell.com>
<http://www.newark.com>
<http://www.cpc.co.uk>

This data sheet and its contents (the "Information") belong to the Premier Farnell Group (the "Group") or are licensed to it. No licence is granted for the use of it other than for information purposes in connection with the products to which it relates. No licence of any intellectual property rights is granted. The Information is subject to change without notice and replaces all data sheets previously supplied. The Information supplied is believed to be accurate but the Group assumes no responsibility for its accuracy or completeness, any error in or omission from it or for any use made of it. Users of this data sheet should check for themselves the information and the suitability of the products for their purpose and not make any assumptions based on information included or omitted. Liability for loss or damage resulting from any reliance on the Information or use of it (including liability resulting from negligence or where the Group was aware of the possibility of such loss or damage arising) is excluded. This will not operate to limit or restrict the Group's liability for death or personal injury resulting from its negligence. SPC MULTICOMP is the registered trademark of the Group. © Premier Farnell plc 2009.

TOLERANCES:
UNLESS OTHERWISE SPECIFIED, DIMENSIONS ARE FOR REFERENCE PURPOSES ONLY.

| | |
|---------------------|--------------|
| DRAWN BY: | DATE: |
| Veena | 26/03/09 |
| CHECKED BY: | DATE: |
| Suresh | 26/03/09 |
| APPROVED BY: | DATE: |
| Farnell | 09/04/09 |

| | | | |
|---|----------------|------------------------|----------------------|
| DRAWING TITLE: | | | |
| Multimedia Card - Push IN/Push Out | | | |
| SIZE | DWG NO. | ELECTRONIC FILE | REV |
| A | M10001984 | 9186212-TDS_DWG | A |
| SCALE: NTS | | U.O.M.: mm | SHEET: 3 OF 3 |