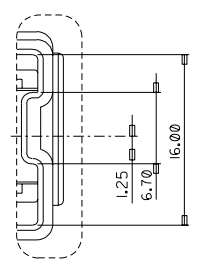
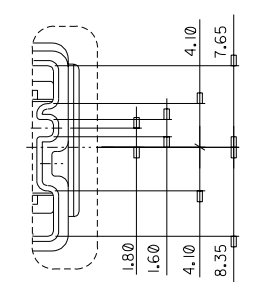
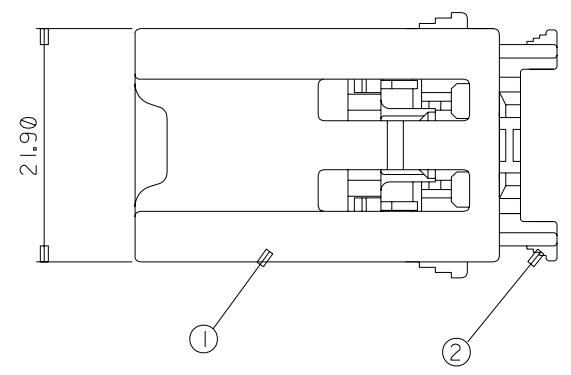


DO NOT SCALE DRAWING  
DIMENSION IN METRIC

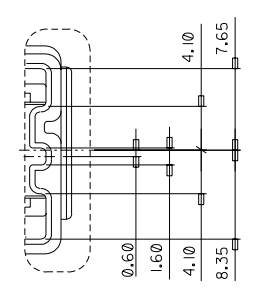
PROJECT NO. SD-35282-001  
SIMILAR ITEM



35282-0610 (NATURAL)

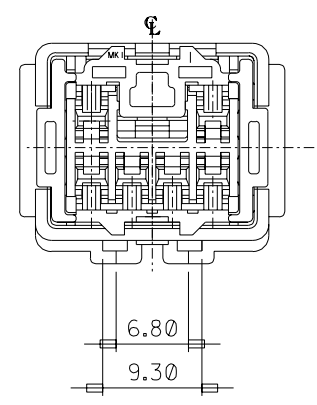
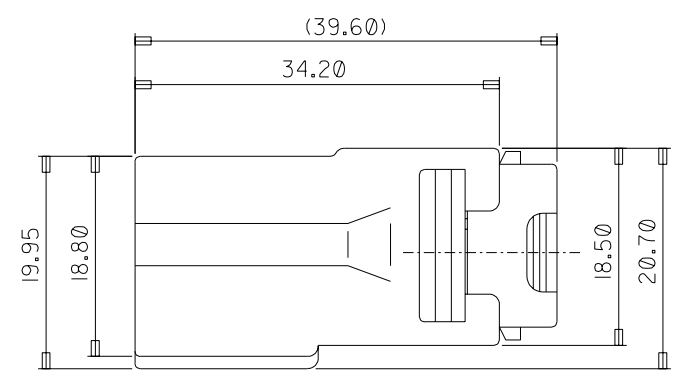
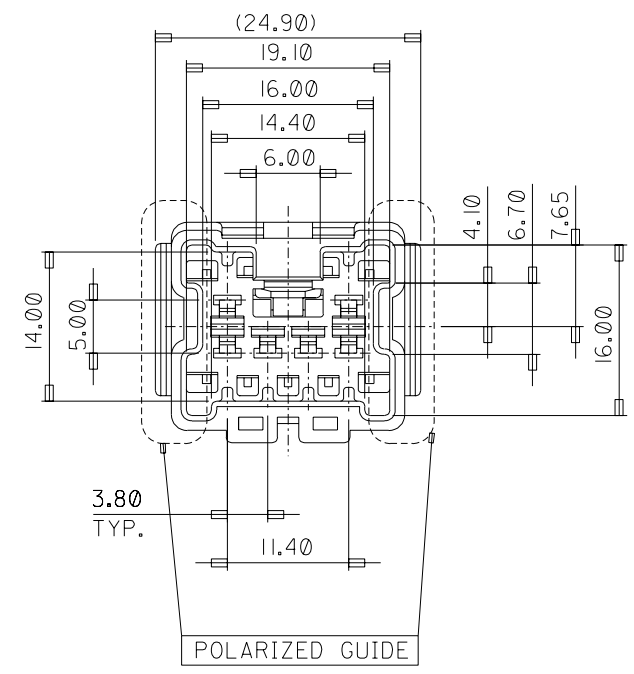


35282-0615 (GRAY)



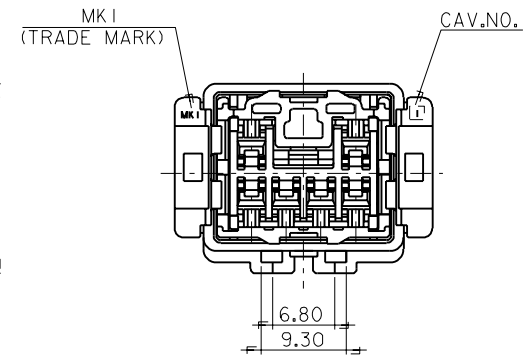
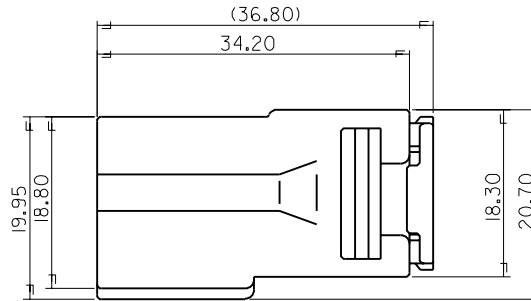
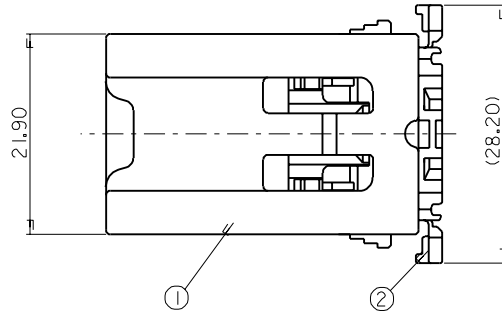
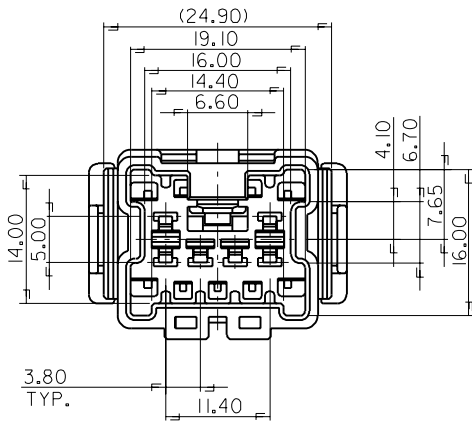
35282-0617 (BROWN)

POLARIZED GUIDE DIM'S



	PART NO.	PART NAME	MATERIAL
①	35282-069*	UNICONN MALE HOUSING-6P	PBT,NATURAL
②	35283-0681	UNICONN MALE TPA-6P	PBT,BLACK

REVISED EC NO. KOR2003-0057 DRWN: S.M.KIM 03/07/11 CHKR: C.RHO APPR: M.LEE	MAJOR CRITICAL	QUALITY SYMBOLS	GENERAL TOLERANCES: (UNLESS SPECIFIED)	SCALE: 1:1	DESIGN UNITS: <input checked="" type="checkbox"/> mm <input type="checkbox"/> INCH	DIMENSIONS: <input type="checkbox"/> mm <input type="checkbox"/> INCH <input checked="" type="checkbox"/> mm ONLY	SHT	REV
		DESCRIPTION	4 PLACES ±0.10	DRWN BY & DATE W.Y.YANG, 97/11/17	TITLE: UNICONN MALE ASS'Y-6P			
B	REV	3 PLACES ±0.10	2 PLACES ±0.10	CHECKED BY & DATE B.K.CHOI, 97/11/17	APPROVED BY & DATE C.W.LEE, 97/11/17	MATERIAL NO. SEE TABLE	DRAWING NO. SD 35282-001	SHEET NO. 1/1
		1 PLACE ±0.30	ANGULAR: ±1.0°	CAD FILENAME: SD2820610.DGN	MOLEX INCORPORATED		SIZE C	
DRAFT WHERE APPLICABLE MUST REMAIN WITHIN DIMENSIONS			THIS DRAWING CONTAINS INFORMATION THAT IS PROPRIETARY TO MOLEX INCORPORATED AND SHOULD NOT BE USED WITHOUT WRITTEN PERMISSION.				MX-A2	



	PART NO.	PART NAME	MATERIAL
①	35282-0690	UNICONN MALE HOUSING-6P	PBT,NATURAL
②	35283-0681	UNICONN MALE TPA-6P	PBT,BLACK

				MATERIAL SEE TABLE		molex MOLEX-KOREA CO.,LTD.	
				GENERAL TOLERANCE DIMENSION : ±0.30		DRAWN BY W.Y.YANG	
				ANGLE :		CHK'D BY	
				DIMENSION CLASSIFICATION		APPR'D BY	
				▽ : CRITICAL ▼ : MAJOR		SCALE 2:1	
				() : REFERENCE		TITLE : UNICONN	
A	NEW RELEASE	KOR 97-0150	97.11.17	ASS'Y PART DESCRIPTION ENG. NO.		SHEET 1/1	
LTR	REVISION RECORD	ECN	DATE	REV A		ENG. NO. SD 35282-0610	
REVISE ONLY ON CAD SYSTEM							

THIS DRAWING CONTAINS INFORMATION THAT IS PROPRIETARY TO MOLEX(KOREA) AND SHOULD NOT BE USED WITHOUT WRITTEN PERMISSION MX-A3(ANSI:290,420)