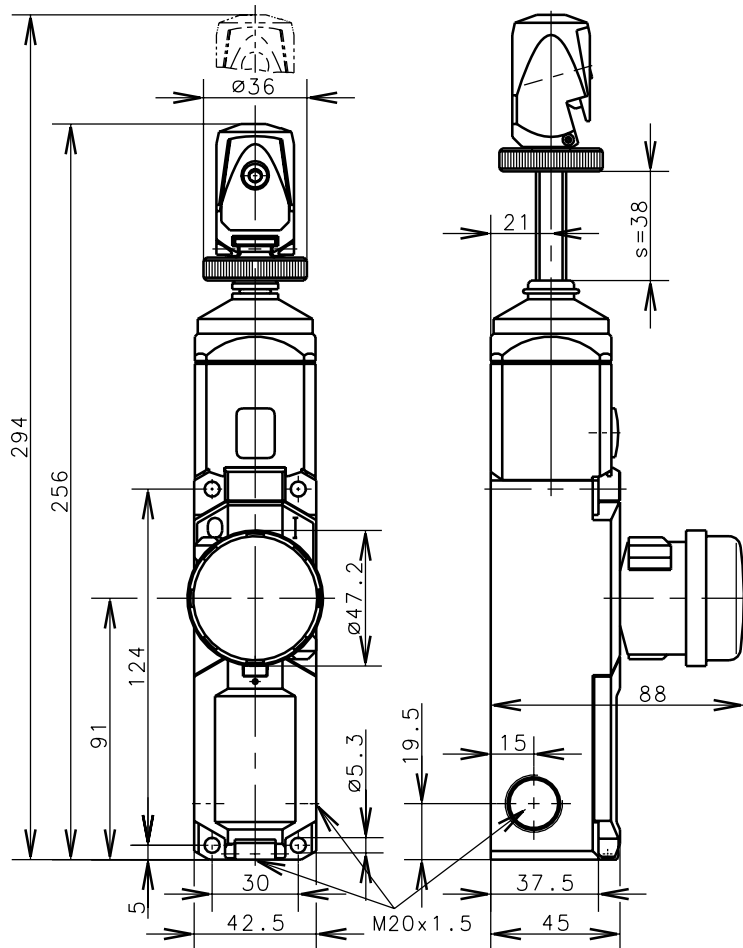
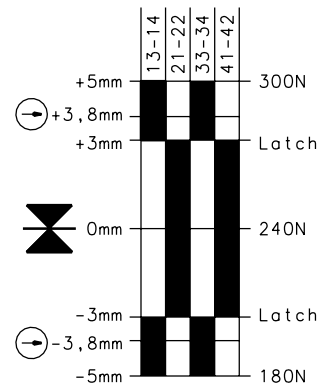
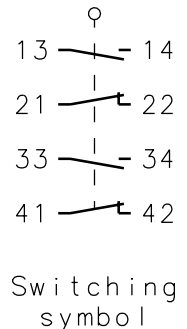


**Bernstein**Bernstein AG
Postfach 1164
D-32437 Porta Westfalica**Technical data sheet**

SR-U2Z-NA-QF 300

601.1629.019

Positive opening
operation according
to DIN EN 60947-5-1
IEC 60947-5-1Emergency stop and
reset function
acc. IEC 60947-5-5Latching according to
DIN EN 418Switching
diagramSwitching
symbolTolerance of tensile force $\pm 15\%$ Schutzvermerk nach DIN 34 beachten
Copyright reserved

06.06.2001

Mechanical features

Enclosure: PA 6 GV (UL94-V0)
 Cover: PA 6 GV (UL94-V0)
 Actuator: Zn-die cast/st
 Ambient air temperature: -25°C up to $+70^{\circ}\text{C}$
 Contact type: 2 NC-contacts, 2 NO-contacts (Zb)
 Contact gap: $> 2 \times 2$ mm

Mechanical life: according to IEC 60947-5-5
 Rope \varnothing : $D_o = \varnothing 2-5$ mm
 Fixing of rope: Quick fixing device
 Rope tension device: integrated jackscrew $s = 38$ mm
 Rope length: $L_{\text{max.}} = 75$ m (with an end spring)
 Mounting: 4 x M5
 Connection type: 8 x cage clamp max. 1.5 mm^2 flex
 Cable entry size: 3 x M20x1.5
 Weight: approx. 0,65 kg
 Latching device: acc. to DIN EN 418
 Emergency stop reset function: rotation clockwise of tophat readout
 Assembly position: any

Electrical features

Rated insulation voltage: $U_i = 250$ V
 Utilization categorie: AC 15 230 V/4 A
 Thermal current: $I_{\text{the}} = 10$ A
 Standards: according to EN 60947-1; EN 60947-5-1
 Protection class (IP-Code): IP67 according to EN 60529; DIN VDE 0470 T1
 Short-circuit protection: Fuse 10A gL, IEC/EN 60947-5-1, appendix K

Remarks

Rope with accessories can be delivered on request.
 The specified protection class (IP-Code) will only be achieved with closed cover and when using an at least appropriate cable gland.

Copies are not retreated in case of alternations.