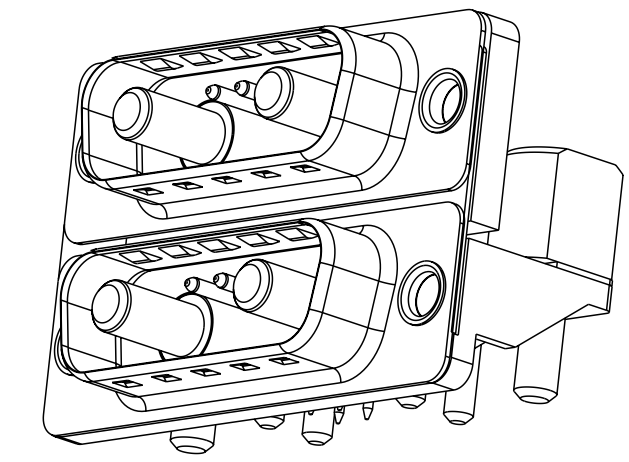
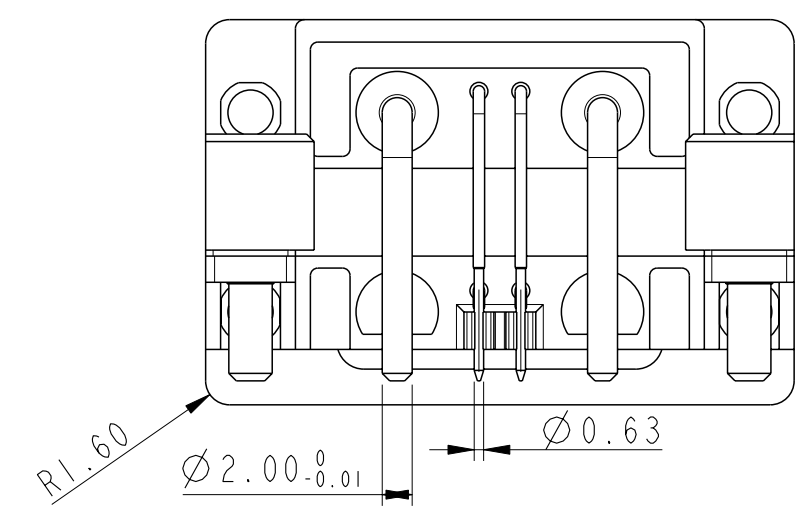
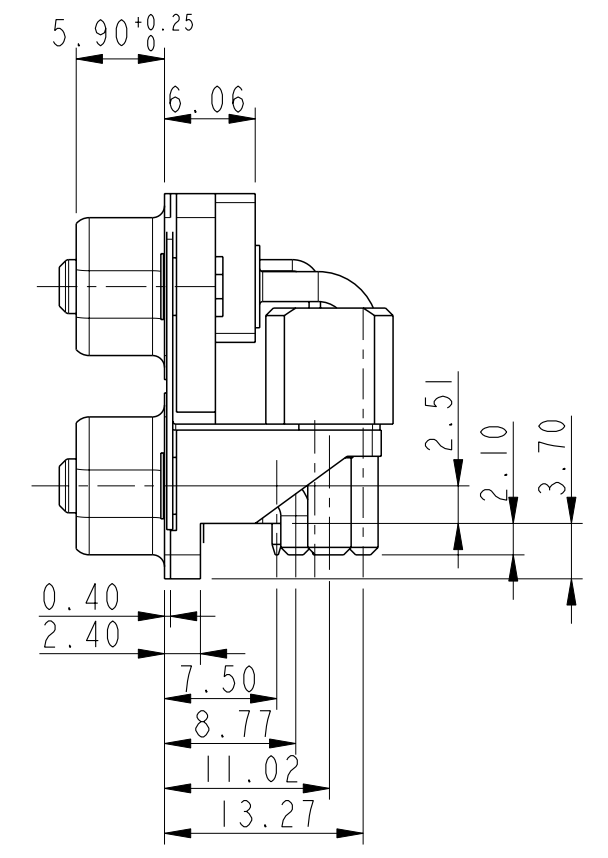
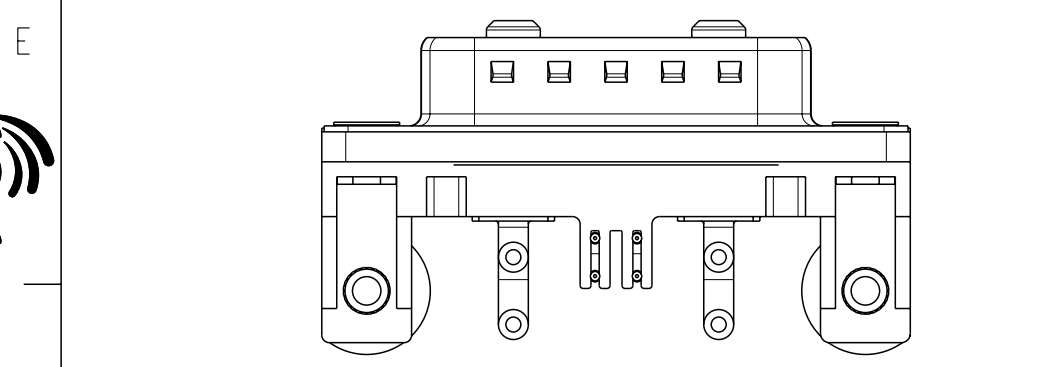
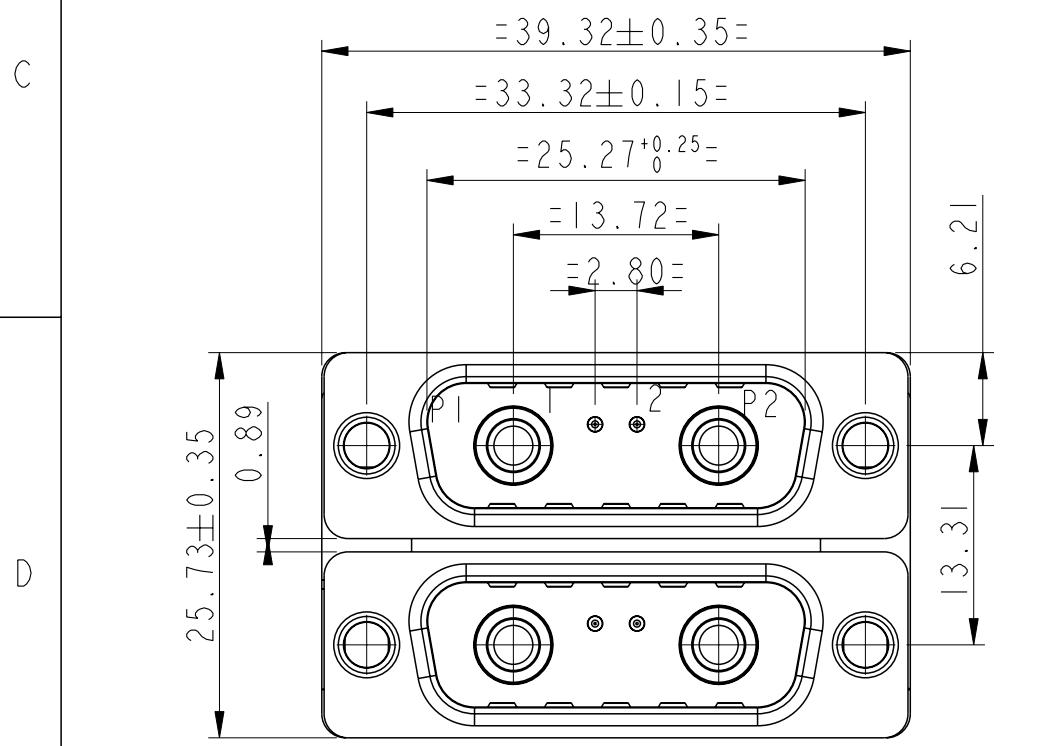
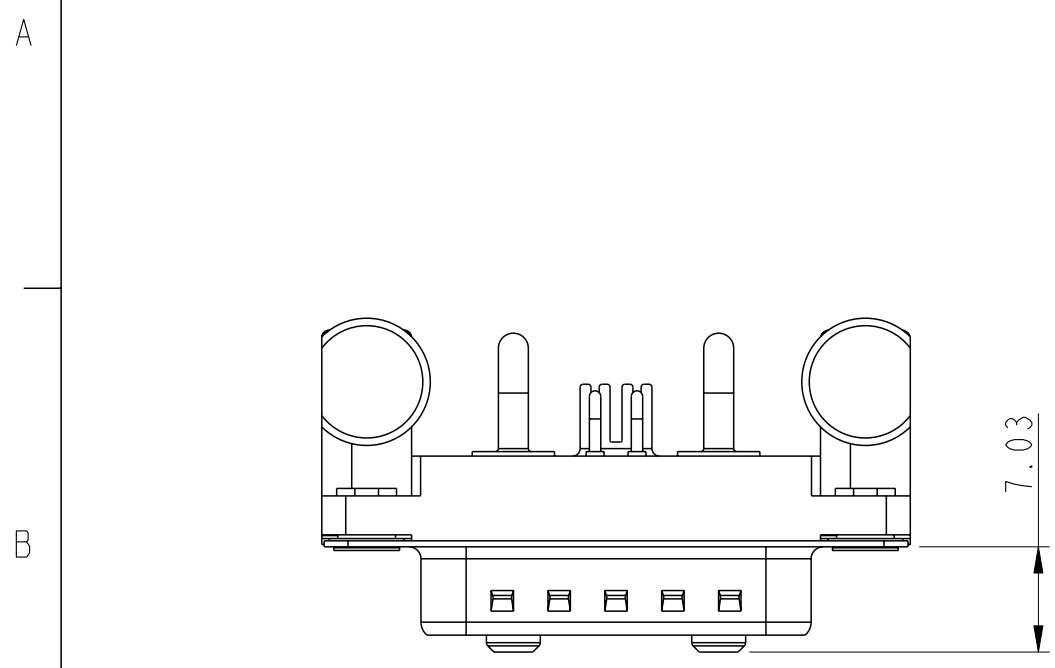
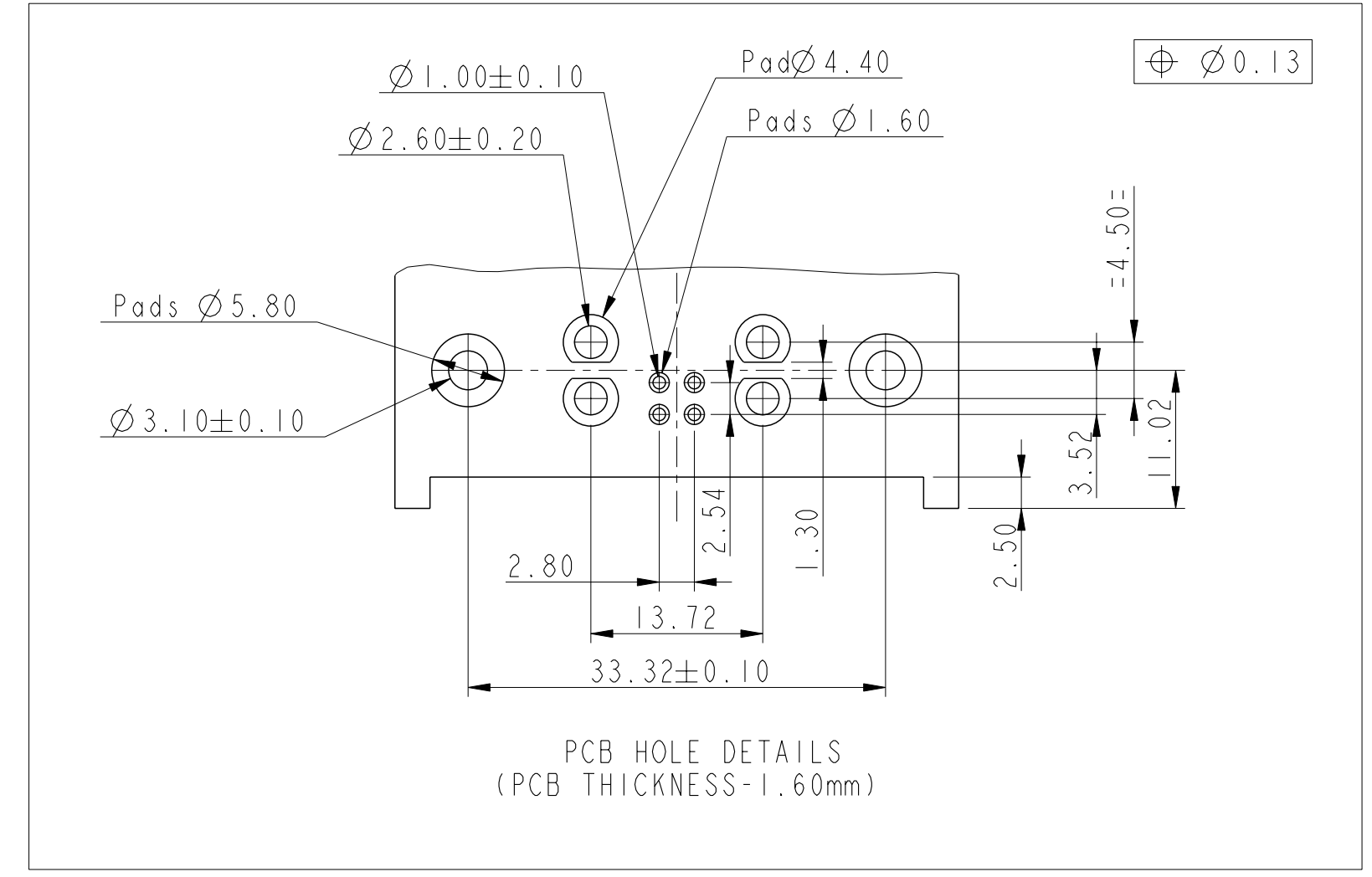


TECHNICAL SPECIFICATIONS

- 1: MATERIAL:  
 INSULATOR : High Temperature Thermoplastics  
 CONTACTS : Copper alloy  
 SHELLS : Steel with Nickel Plated
- 2: PLATING:  
 CONTACT ACTIVE ZONE : GOLD or Equivalent  
 TERMINATION ZONE : TIN over Cu  
 METAL BRACKET : BRASS- Nickel  
 LIF HARPOON : BRASS- TIN  
 CLINCH NUT : BRASS- Nickel
- 3: ELECTRICAL DATA:  
 Current Rating : 48V/24A for Power contact  
 : 0.375 A for signal contact  
 Test Voltage : 1000V  
 Contact Resistance : For Power contacts- $\leq 10\text{m}\Omega$   
 : For Signal contacts  $\leq 25\text{m}\Omega$   
 Insulation Resistance: 5000M  $\Omega$ m
- 4: ENVIRONMENTAL CHARACTERISTICS- ROHS Compatible  
 Operating temperature : 70°C+30°C Temperature rise
- 5.MECHANICAL LIFE : 200 matings



"This Product Meets European union directives & other country regulations as described in GS-22-008"

The Housing will withstand exposure to 265° peak temperature for 30 sec in a convection, infra-red or vapour reflow oven solder applications

Packing as per GS 14-1104

PART NO. 10070158-00219XLF

X-440UNC NUT  
L-M3 NUT

rev	ecn no	dr	date
A	107-0051	NG	2007-07-17
B	107-0163	NG	2007-11-30
-	-	-	-
-	-	-	-
-	-	-	-
-	-	-	-

www.fciconnect.com			surface ISO 1302	tolerance std ISO 406 ISO 1101	projection ISO 1101	mm
			TOLERANCES UNLESS OTHERWISE SPECIFIED		size	Scale
Dr	NIRMAL.G	2006-10-20	ANGULAR	0.X ±0.30	A2	2:1
Eng	NIRMAL.G	2007-11-29	LINEAR	0.XX ±0.10	ECN	107-0163
Chr	ANISH S	2007-11-30	0° ±2°	0.XXX ±0.050	Spec ref	
Appr	BIJU K PAUL	2007-11-30	Product family	-D-SUB		
FCj			TITLE DUAL PCB CONNECTOR-48V MicroTCA_MALE PIP _ version		dwg no 10070158-002	Rev. B
			catalog no		CUSTOMER	sheet 1 of 1

Copyright FCI. FCj