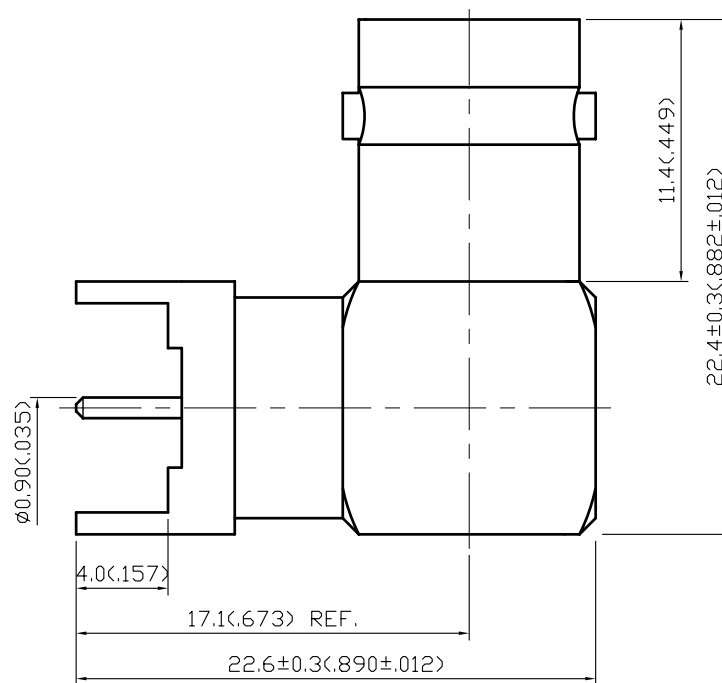
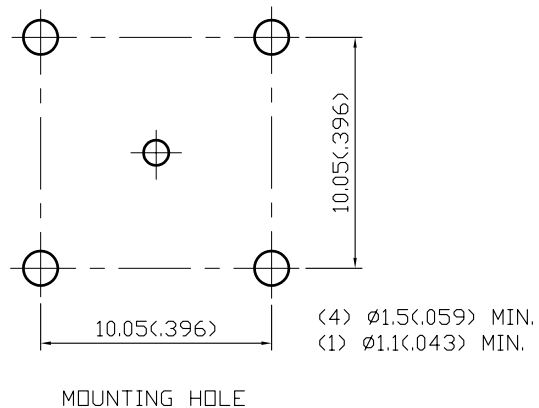


NO	DESCRIPTION	DATE
1	BACKGROUND FORMAT UPDATED	03.22.04



NOTES: UNLESS OTHERWISE SPECIFIED

- BODIES: BRASS PER JIS-C3604
- CENTER CONTACT: BRASS PER JIS-C3604
- INSULATION: TEFLON PER ASTM D1457 AND ASTM D1710
- CONNECTOR INTERFACE PER MIL-STD-348A
- PART TO BE CLEAN AND FREE OF BURRS

NO	DESCRIPTION	MATERIAL	Q'TY	FINISH
7	CAP	BRASS	1	NICKEL 100 μ " MIN.
6	BODY II	BRASS	1	NICKEL 100 μ " MIN.
5	INSULATION	TEFLON	1	NONE
4	CENTER CONTACT II	BRASS	1	GOLD
3	BODY I	BRASS	1	NICKEL 100 μ " MIN.
2	CENTER CONTACT I	BRASS	1	GOLD
1	INSULATION	TEFLON	1	NONE

FARNELL ORDER CODE: 1169739

DESCRIPTION		BNC RIGHT ANGLE PCB MOUNT JACK RECEPTACLE					
製圖	DRAWN	TOLERANCE	品名	13-53	DATE	版次	REV.
	Jason	.X ±0.2	TITLE				
檢圖	CHECK	.XX ±0.1	單位	DWG.NO.	13-0256	佳楠精密電子股份有限公司 CHIN NAN PRECISION ELECTRONICS CO.,LTD.	
	Jenny	.XXX ±0.05	mm(in)				
認定	APPROVAL	ANGLE ±5°	比例	SCALE 4:1			
Jenny							