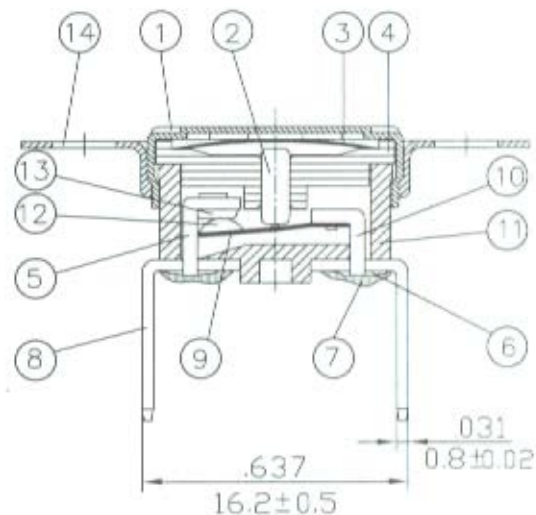
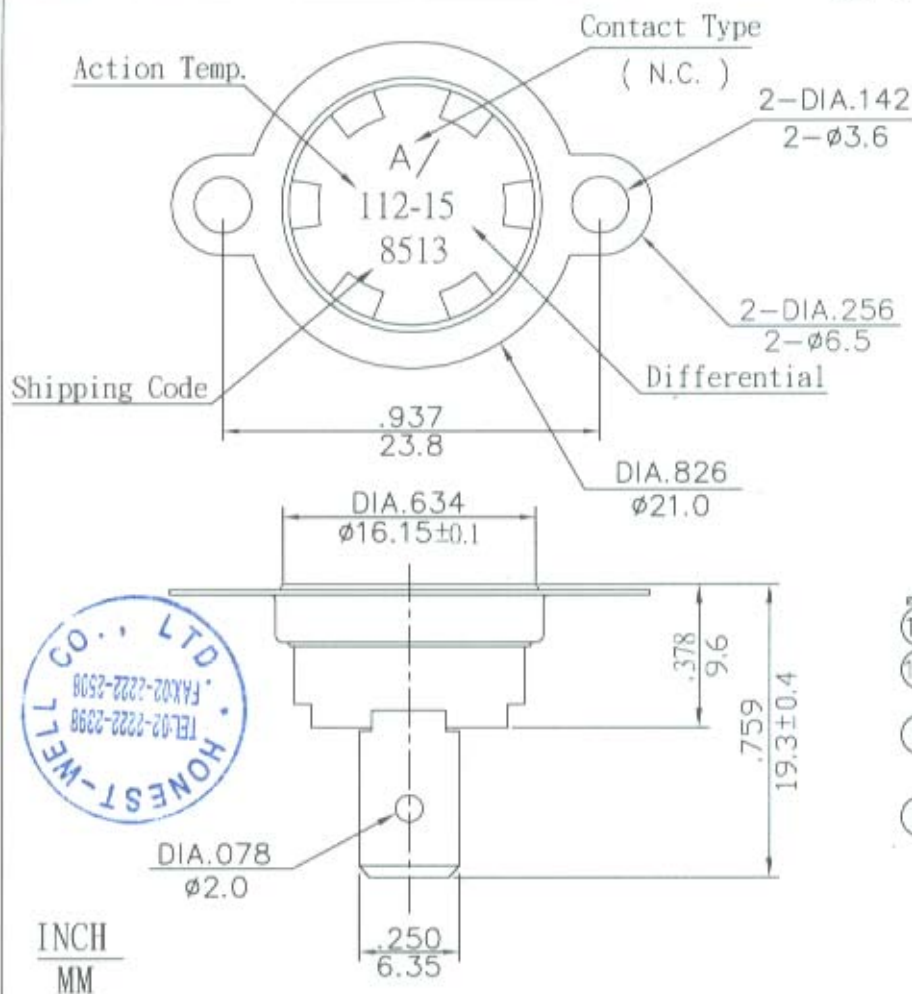


PARTS NAME	MATERIAL	UL FLAME GRADE
1 Sensing cap	Aluminum	
2 Actuating pin	Ceramic	
3 Bimetal disc	Bimetal	
4 Retainer	pps	
5 Stationary arm	Brass tin plated	
6 Solder	Tin	
7 Glue	Epoxy	
8 Terminal	Brass tin plated	
9 Movable arm	Beryllium copper	
10 Terminal-J	Brass tin plated	
11 Case	pps	
12 Contact-R	Silver alloy	
13 Contact-F	Silver alloy	
14 Bracket	Steel Vickle plated	

SPECIFICATIONS

- * CONTACT TYPE : Normally Closed
- * Action Temp : $112 \pm 3^{\circ} \text{C}$
- * Reset Temp : $97 \pm 4^{\circ} \text{C}$
- * TERMINAL SIZE : Amp #250 TAB
- * CIRCUIT RESISTANCE : $50\text{m}\Omega$ Max
- * INSULATION RESISTANCE : $100\text{M}\Omega$ Min. at DC 500V
- * DIELECTRIC STRENGTH : AC 1000V For One Minute
Or AC 1800V For One Sec
- * APPROVALS : UL CUL VDE
- * ELECTRICAL RATING & OPERATING LIFE :
UL CUL - 15A 120VAC 100,000 Cycles (Resistive Load)
Licence No. E192925
VDE - 15A 240VAC 100,000 Cycles (Resistive Load)
16A 250VAC 10,000 Cycles (Resistive Load)
Licence No. 127475
(By Standard Differential:10k-15k)



The size remains unchanged, but other technical modification will be made without notice.

SCALE	2:1 (mm)		TITLE		3A-SR2	
④					FULL CODE	
③					T23A112ASR2-15	
②					MATERIAL NO.	
①					CUTOMER	
REV	DESCRIPTION		DFTG.	DATE	DRAWING NO.	711720
DFTG	JAYE	CHKD	洪善霞	MFG.	陳素霞	APRVL
						廖火亮