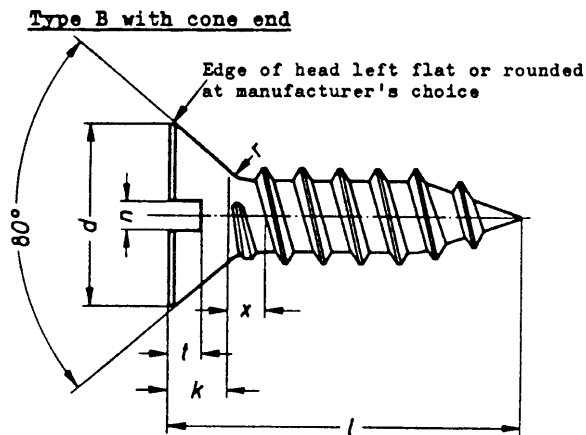
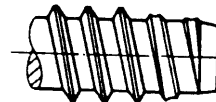


Countersunk (Flat) Head Tapping Screws
with SlotDIN
7972

Senk-Blechschauben mit Schlitz

For connection with an ISO Recommendation in preparation, see Explanations.

Dimensions in mm

Type BZ with flat endother dimensions and
details as for Type B $x_{max.} = P$ according to DIN 7970Designation of a countersunk (flat) head tapping screw with cone end (B), of
3.5 mm nominal diameter and length $l = 19$ mm:

Tapping screw B 3.5 x 19 DIN 7972

Nominal diameter	2,2	2,9	3,5	(3,9)	4,2	4,8	(5,5)	6,3
d	4,3	5,5	6,8	7,5	8,1	9,5	10,8	12,4
$k \approx$	1,3	1,7	2,1	2,3	2,5	3	3,4	3,8
n	0,6	0,8	1	1	1,2	1,2	1,6	1,6
r max.	0,8	1,1	1,4	1,5	1,6	1,9	2,1	2,4
t min.	0,4	0,5	0,6	0,7	0,75	0,85	1	1,2
t max.	0,6	0,75	0,95	1,05	1,15	1,35	1,5	1,75
l	Weight (7,85 kg/dm ³) kg/1000pieces \approx							
4,5	0,100	—	—	—	—	—	—	—
6,5	0,140	0,242	—	—	—	—	—	—
9,5	0,200	0,350	0,540	0,660	0,78*)	1,10*)	—	—
13	0,270	0,476	0,718	0,880	1,02	1,45	2,11*)	2,53*)
16	0,340	0,584	0,871	1,07	1,23	1,75	2,49	3,07
19		0,692	1,02	1,26	1,44	2,05	2,87	3,61
22			1,17	1,45	1,65	2,35	3,26	4,15
25			1,32	1,64	1,86	2,65	3,65	4,69
32					2,35	3,35	4,56	5,95
38						3,95	5,34	7,03
45								
50								
N ^o according to ISO	2	4	6	7	8	10	12	14

Bracketed nominal diameters should be avoided wherever possible.

Normally, these tapping screws are made in the sizes for which weight details are given. It is not practicable to make the sizes for which dashes appear instead of length data.

Technical conditions of delivery and material according to DIN 267 Part 12 (at present circulating as draft).

Type: m according to DIN 267 Part 2

Thread and screw ends according to DIN 7970

For core hole diameters see DIN 7975

*) These sizes cannot be made in Type B.

Explanations on page 2