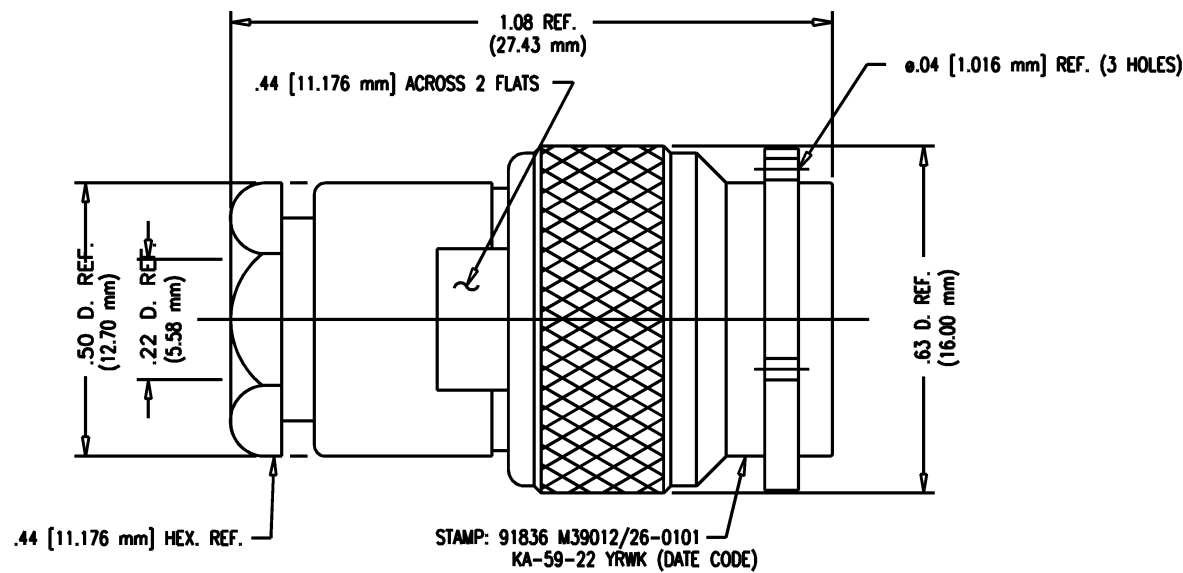


|          |        |           |
|----------|--------|-----------|
| DASH NO. | M CODE | MADE FROM |
|----------|--------|-----------|

# GSD

M39012/26-0101

| REVISIONS |                                       |
|-----------|---------------------------------------|
| ISSUE     | CHANGES                               |
| 13        | CN 32498 C<br>KH 09/21/90             |
| 14        | CN 38289 C<br>REDRAWN<br>TML 05/10/01 |
| 15        | CN 38846 E<br>BDH 05/09/03            |
| 16        | CN 39708 C<br>PMC 11/20/06            |
| 17        | CN 39744 C<br>HVN 01/02/07            |



**NOTES:**

- FOR USE RG-58, 142, 223, & 400/U CABLE.
- FOR CABLING INSTRUCTIONS SEE 3-70.
- INTERFACE PER MIL-STD-348, FIG. 313-1.
- MATERIALS:  
INSULATORS: TEFLON, ASTM-D4894  
GASKETS: SIL. RUB., A-A-59588  
C-RING: PHOS. BRONZE, ASTM-B135  
OUTER CONTACT: BER. COP., ASTM-B196  
ALL OTHER PARTS: BRASS, ASTM-B16
- FINISHES:  
CENTER CONTACT: HARD GOLD PLATE PER ASTM-B488  
ALL OTHER METAL PARTS: SILVER PLATE PER ASTM-B700
- ELECTRICAL CHARACTERISTICS:  
NOMINAL IMPEDANCE: 50 OHMS  
VOLTAGE RATING: 500 VRMS  
FREQUENCY RANGE: DC TO 11 GHz

KA-59-22 SD

SCALE 4:1

APPROX SURFACE AREA

KA-59-22

USED ON

REF:

PLUG, TNC

|       |     |      |          |
|-------|-----|------|----------|
| DRAWN | JHP | DATE | 03/21/77 |
|-------|-----|------|----------|

|        |  |      |  |
|--------|--|------|--|
| DESIGN |  | DATE |  |
|--------|--|------|--|

|       |     |      |          |
|-------|-----|------|----------|
| APPR. | SAJ | DATE | 04/14/71 |
|-------|-----|------|----------|



ROCK HILL, SOUTH CAROLINA 29730

# GSD

M39012/26-0101