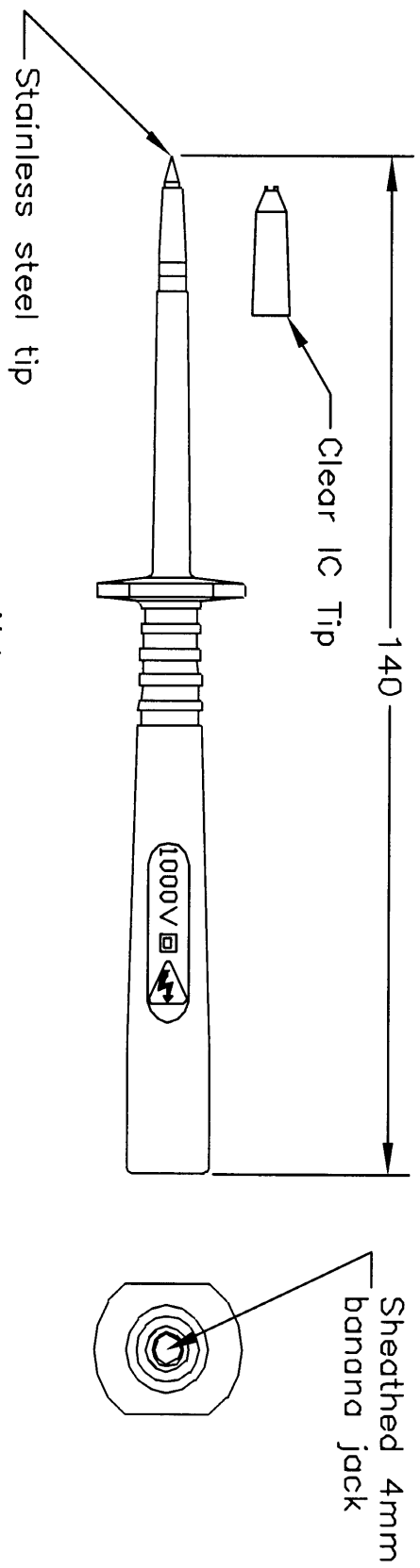


3421685

ALL RIGHTS RESERVED. NO PORTION OF THIS PUBLICATION, WHETHER IN WHOLE OR IN PART CAN BE REPRODUCED WITHOUT THE EXPRESS WRITTEN CONSENT OF SPC TECHNOLOGY.

REVISIONS		DOC. NO.	DATE	CHECKED	DATE	APPRVD	DATE
DCP #	REV	DESCRIPTION	DRAWN	DATE	CHECKD	DATE	APPRVD
615	A	Released	JNM	3/22/99	JC		DJC



Notes

1. Rated: 1000VCATIII P2; 20A, 50 milliohms complies with IEC1010
2. Materials: Body - Polyimide (Nylon)
Tip - Stainless Steel
Jack - Brass
3. Internal Resistance: <5 milliohms
4. Operating Temperature: -20 °C ~ +80 °C

DISCLAIMER
ALL INFORMATION AND TECHNICAL INFORMATION CONTAINED HEREIN ARE BASED UPON INFORMATION AND/OR DATA WE BELIEVE TO BE ACCURATE AND RELIABLE. SINCE CONDITIONS OF USE ARE BEYOND OUR CONTROL, THE USER SHALL RETAIN THE RESPONSIBILITY OF THE PROTECT FOR THE INTERESTS OF THE USER AND ASSUME ALL RISK AND LIABILITY WHATSOEVER IN CONNECTION THEREWITH.

UNLESS OTHERWISE SPECIFIED, DIMENSIONS ARE FOR REFERENCE PURPOSES ONLY.

DRAWN BY:	DATE:
Jeff McVicker	3/22/99
CHECKED BY:	DATE:
John Cole	
APPROVED BY:	DATE:
Daniel Corey	



DRAWING TITLE: Sharp Tip Test Probe Body - Black

SIZE	DWG. NO.	ELECTRONIC FILE	REV
A	76-031	16F7702.dwg	A

SCALE: NTS	U.O.M.: Millimeters	SHEET: 1 OF 1
------------	---------------------	---------------